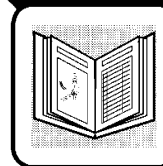
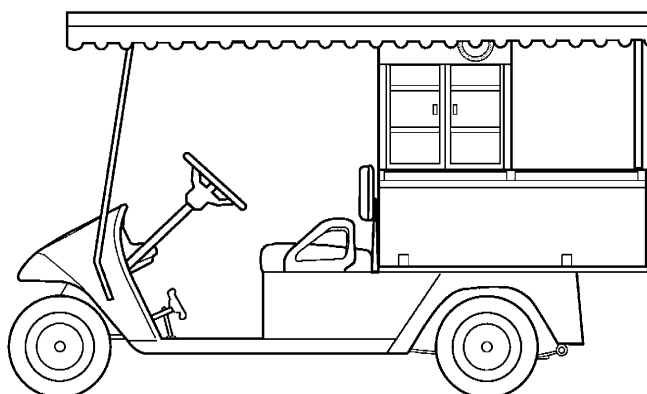
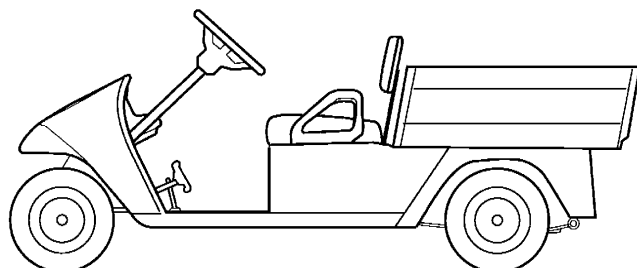
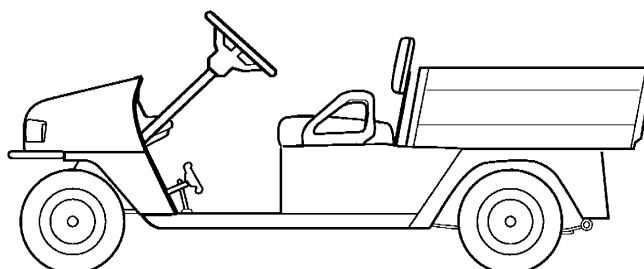


28725-G01

**TEXTRON**  
GOLF, TURF & SPECIALTY PRODUCTS



## SERVICE PARTS MANUAL



## **GASOLINE POWERED UTILITY VEHICLES**

STARTING MODEL YEAR: 2001

REVISED 7/2002

# SERVICE PARTS MANUAL

## GASOLINE POWERED UTILITY VEHICLES

**WORKHORSE<sup>®</sup> 1200**

**WORKHORSE<sup>®</sup> 1200 LX**

**COMMANDER<sup>™</sup> 2200**

**COMMANDER<sup>™</sup> 2200 SE**

**JACOBSEN 1110 HAULER<sup>™</sup>**

**REFRESHER<sup>®</sup> 1200**

TEXTRON Golf, Turf & Specialty Products reserves the right to make design changes without obligation to make these changes on units previously sold and the information contained in this manual is subject to change without notice.

TEXTRON Golf, Turf & Specialty Products is not liable for errors in this manual or for incidental or consequential damages that result from the use of the material in this manual.

**CUSTOMER SERVICE DEPARTMENT IN USA PHONE: 1-800-241-5855 FAX: 1-800-448-8124**

**OUTSIDE USA PHONE: 010-1-706-798-4311, FAX: 010-1-706-771-4609**

**TEXTRON GOLF, TURF & SPECIALTY PRODUCTS, P.O.BOX 388, AUGUSTA, GEORGIA USA 30903-0388**

## **NOTES**

**To obtain a copy of the limited warranty applicable to the vehicle, call or write a local Distributor, authorized Branch or the Warranty Department with vehicle serial number and manufacturer code.**

**The use of non Original Equipment Manufacturer (OEM) parts may void the warranty.**

**Tampering with or adjusting the governor to permit vehicle to operate at above factory specifications will void the vehicle warranty.**

**When servicing engines, all adjustments and replacement components must be per original vehicle specifications in order to maintain the United States of America Federal and State emission certification applicable at the time of manufacture.**

### **BATTERY PROLONGED STORAGE**

**All batteries will self discharge over time. The rate of self discharge varies depending on the ambient temperature and the age and condition of the batteries.**

**A fully charged battery will not freeze in winter temperatures unless the temperature falls below -75° F (-60° C).**

# GENERAL INDEX

<b>SECTION</b>	<b>Page No.</b>
How to use the Service Parts Manual.....	v
<b>ACCELERATOR - ALL CABLES</b>	
• Accelerator Pedal, Pedal Pivot Cover, Pivot Pin.....	A-1
• Accelerator Rod, Pedal Box, Micro Switch, Accelerator Cable.....	A-2
• Throttle Cable, Governor, Governor Cover, Mounting Brackets .....	A-3
<b>ACCELERATOR - CABLE AND LINKAGES</b>	
• Accelerator Pedal, Accelerator Rod, Pedal Box, Micro Switch, Accelerator Cable .....	A-7
• Choke, Governor Linkage Rod, Throttle Linkage Rod, Mounting Brackets .....	A-8
<b>AIR FILTER</b>	
• Air Cleaner, Carburetor Baffle, Choke Bracket, Gasket.....	B-1
<b>BODY</b>	
• Front Cowl (1200 / 2200), Front Shield, Instrument Panel, Glove Box Doors, Floorboard, Bumper .....	C-1
• Front Cowl (WorkHorse® 1200 LX / Commander™ 2200 SE), Fender Flares, Bumper .....	C-2
• Floormat, Seat Support Panel, Side, Splash and Rocker Panels, Rear Fenders, Rear Panel.....	C-3
• Ashtray, Ball Hitch, Clevis Hitch.....	C-4
<b>BRAKES</b>	
• Brake Pedal Without Lights, Equalizer and Brake Cables.....	D-1
• Brake Pedal With Lights .....	D-2
• Brake Drum, Brake Shoes, Adjuster.....	D-3
<b>CAB (EARLY PRODUCTION)</b>	
• Cab .....	E-1
• Cab Mounting Brackets, Windshield Wiper .....	E-2
• Steel Doors, Vinyl Doors, Strobe Light .....	E-3
• Switch Panel, Defroster/Cooling Fan, Worklights .....	E-4
<b>CAB (LATE PRODUCTION)</b>	
• Cab, Steel Doors, Vinyl Doors .....	E-9
<b>CARBURETOR</b>	
• Pilot Jet, Main Jet, Carburetor Mount Gasket.....	F-1
• Choke Cable, Adapter, Retainer .....	F-2
<b>CLUTCHES</b>	
• Drive Belt, Drive Clutch, Driven Clutch .....	G-1

# GENERAL INDEX

<b>SECTION</b>	<b>Page No.</b>
DIRECTION SELECTOR - SINGLE CABLE	
• Shifter Handle, Push/Pull Shifter Cable, Reverse Warning Buzzer, Neutral Lock, Micro Switch.....	H-1
DIRECTION SELECTOR - DUAL CABLE	
• Shifter Handle, Shifter Cables, Reverse Warning Buzzer, Neutral Lock, Micro Switch .....	H-5
ELECTRICAL SYSTEM	
• Battery, Ground Strap, Control Harness, Ignition Pickup, Ignition Coil.....	J-1
• Electrical Plate, Voltage Regulator, Ignitor, Solenoid.....	J-2
• Fuse Block, Horn .....	J-3
• Headlight, Front Turn Signal Lights .....	J-4
• Tail Lights, Rear Turn Signal Lights, Turn Signal Switch .....	J-5
• Ignition Switch, Oil Pressure Indicator Light, Fuel Gauge, 12V Power Outlet, Hour Meter .....	J-6
• Work Lights, Strobe Light .....	J-7
ENGINE AND MUFFLER	
• Engine, Muffler, Oil Filter, Spark Plugs, Timing Belt .....	K-1
ENGINE MOUNTING	
• Front and Rear Engine Mounts, Engine Guard, Isolation Mount .....	L-1
FRONT SUSPENSION (Early Production, for Jan. 2001 and later see 'FRONT SUSPENSION AND STEERING')	
• Front Axle, Spindle, Wheel Hub, Shock Absorber, Spring.....	M-1
FRONT SUSPENSION AND STEERING (Jan. 2001 and later)	
• Front Axle, Spindle, Wheel Hub.....	M-5
• Tie Rod, Steering Column and Wheel .....	M-6
FUEL SYSTEM	
• Fuel Gauge- Mechanical, Fuel Level Sender, Fuel Pump, Fuel Tank Assembly .....	N-1
REAR AXLE - SINGLE CABLE SHIFTER	
• Axle Shaft, Axle Tube, Seals, Bearings .....	P-1
REAR AXLE - DUAL CABLE SHIFTER	
• Axle Shaft, Axle Tube, Seals, Bearings, Shifter Cable Bracket .....	P-5
REAR SUSPENSION	
• U-Bolt, Leaf Spring Set, Shock Absorber, Bushings.....	Q-1
REFRESHER UNIT	
• Refresher Unit Mounting Frame, Seat Back Support, Windshield and Mirror .....	R-1
• Canopy Frame, Canopy.....	R-2

# GENERAL INDEX

<b>SECTION</b>	<b>Page No.</b>
SEATING	
• Seat Bottom, Seat Back, Seat Back Support.....	S-1
STARTER/GENERATOR	
• Brush Holder, Pulley, Terminal, Belt, Adjuster, Starter/Generator.....	T-1
STEERING (Early Production, for Jan. 2001 and later see 'FRONT SUSPENSION AND STEERING')	
• Rack and Pinion Assembly, Tie Rod Assembly, Steering Column, Steering Wheel .....	U-1
TRUCKBEDS	
• Manual Dump Bed, Decals, Tailgate.....	V-1
• Truck Bed Latch, Bed Prop.....	V-2
• Bed Liner, Ramp .....	V-3
• Electric Dump Bed, Decals, Tailgate.....	V-9
• Actuator, Battery Connection, Toggle Switch.....	V-10
• Bed Liner, Ramp .....	V-11
• Flat Bed .....	V-17
• Truck Bed Latch, Bed Prop.....	V-18
• Cargo Racks .....	V-19
WEATHER PROTECTION	
• Sun Top.....	W-1
• Top Mounted Rear View Mirror, 3-Sided Soft Enclosure.....	W-2
• Windshields .....	W-3
WHEELS AND TIRES	
• Tire, Wheel Rim, Valve Stem .....	X-1
• Chrome Hubcaps, Spoke Hubcaps .....	X-2
SPECIALTY PRODUCTS .....	Appendix A
• Special Tools	
• Engine Oil	
• Paint	
• Performance Products	
ACCESSORIES .....	Appendix B



# HOW TO USE THE SERVICE PARTS MANUAL

This manual is divided into several sections:

- GENERAL INFORMATION
- ILLUSTRATED PARTS BREAKDOWN
- APPENDIX

The first section, GENERAL INFORMATION, contains the following information:

- WARRANTY INFORMATION
- GENERAL INDEX
- HOW TO USE THE SERVICE PARTS MANUAL

The second section, ILLUSTRATED PARTS BREAKDOWN, contains illustrations and parts lists for all systems of your vehicle.

The third section, APPENDIX, contains a listing of specialty products and accessories.

## USE OF THE MANUAL

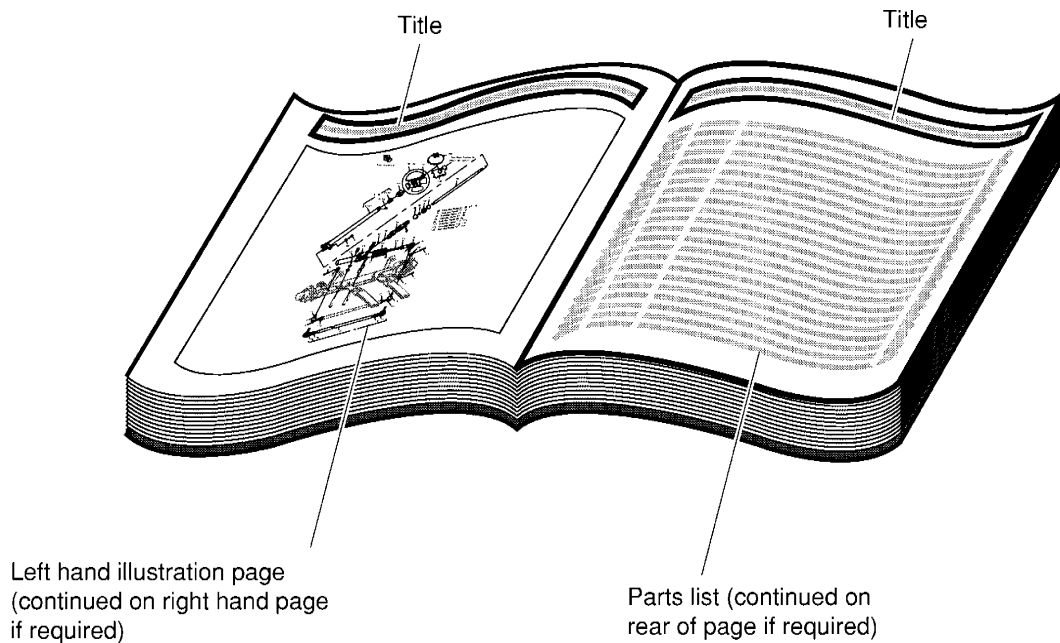
To use this manual, consult the GENERAL INDEX to locate the information or illustration required.

Introduction of some revisions varies due to supply of components; therefore, it is possible that various combinations of components may be found that are not directly reflected by each illustration. Consult the illustration that best suits your situation and then contact the Service Parts Department. It is important that the serial number of your vehicle and its model number be supplied to Service Parts when ordering any replacement components.

Locate the serial number plate (see BODY located in the Illustrated Parts Breakdown section of this manual for its location) and note the complete number shown on the plate.



# HOW TO USE THE SERVICE PARTS MANUAL



## 1. WHEN THE PART NUMBER IS NOT KNOWN

- Determine the function and application of the part required. Turn to the General Index and select the most appropriate title.
- Turn to the page number indicated and locate the desired part on the illustration.
- From the illustration, obtain the item number assigned to the desired part. Refer to the accompanying description for specific information regarding the part.

## 2. IF YOU KNOW THE PART NUMBER

- Locate the part number or description in the appropriate column on the parts list page.

NOTE: It is suggested that you confirm that the part selected is correct by verifying it with the pictorial representation on the illustrated page.

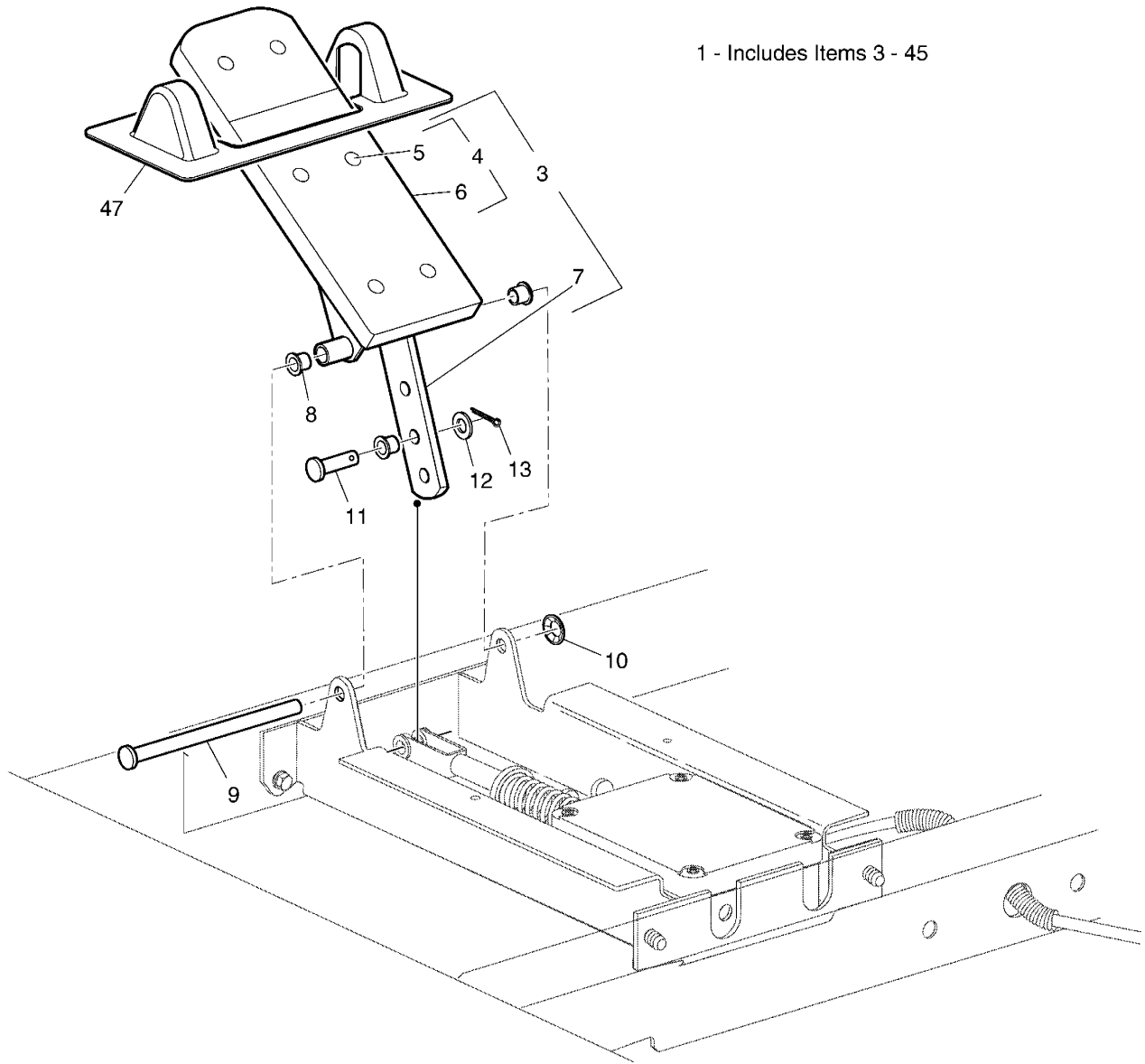
Should an asterisk (\*) appear in the part number column on the parts list page, read upwards until a part number is found. The part number is the lowest assembly sold by Service Parts and the asterisk (\*) indicates that the part depicted is not available for purchase.

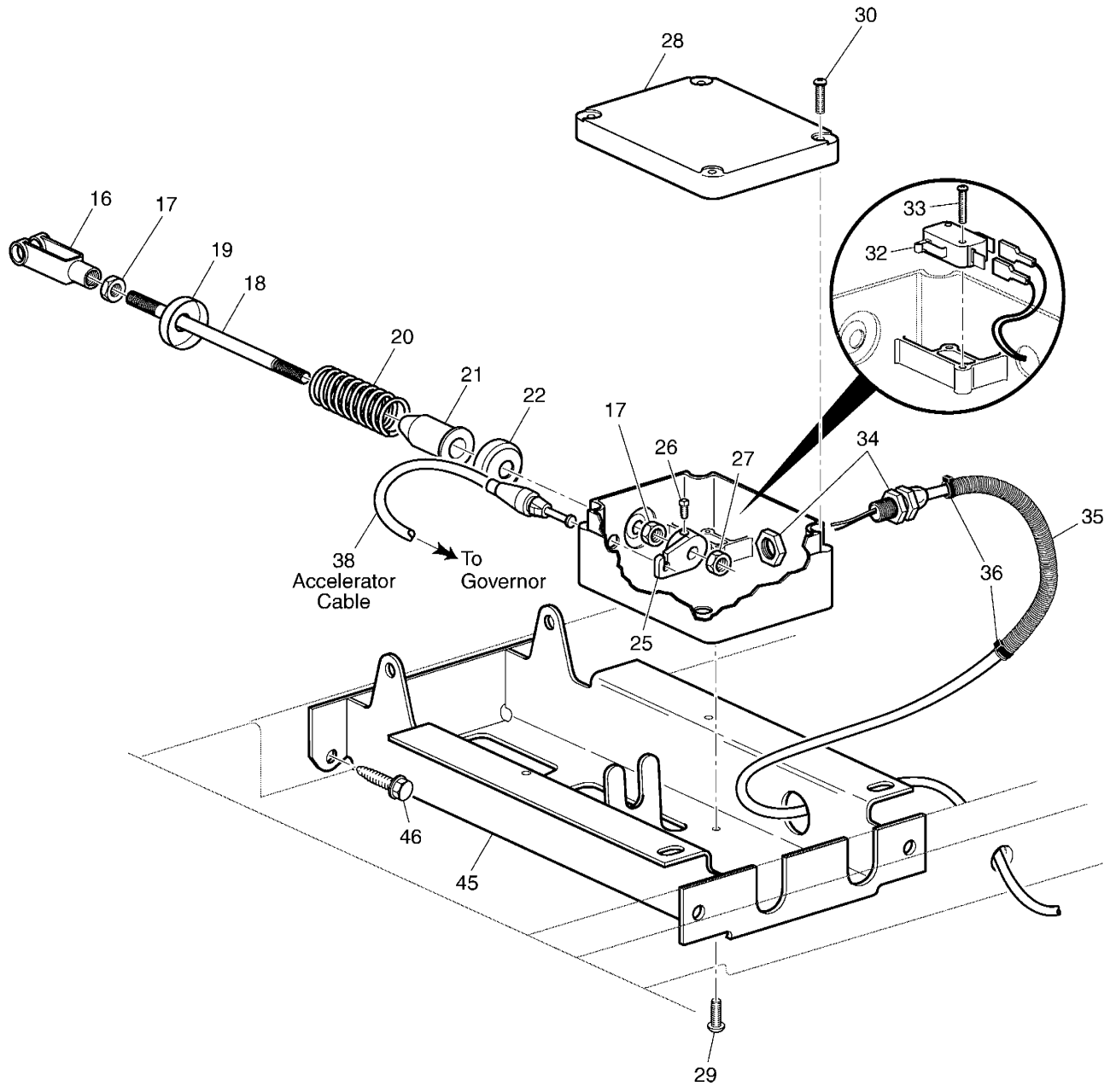
NOTE: Descriptions are indented under the assembly that they are used on. That assembly is, in turn listed under the assembly that it is used on. This process is repeated until the highest final assembly is reached.

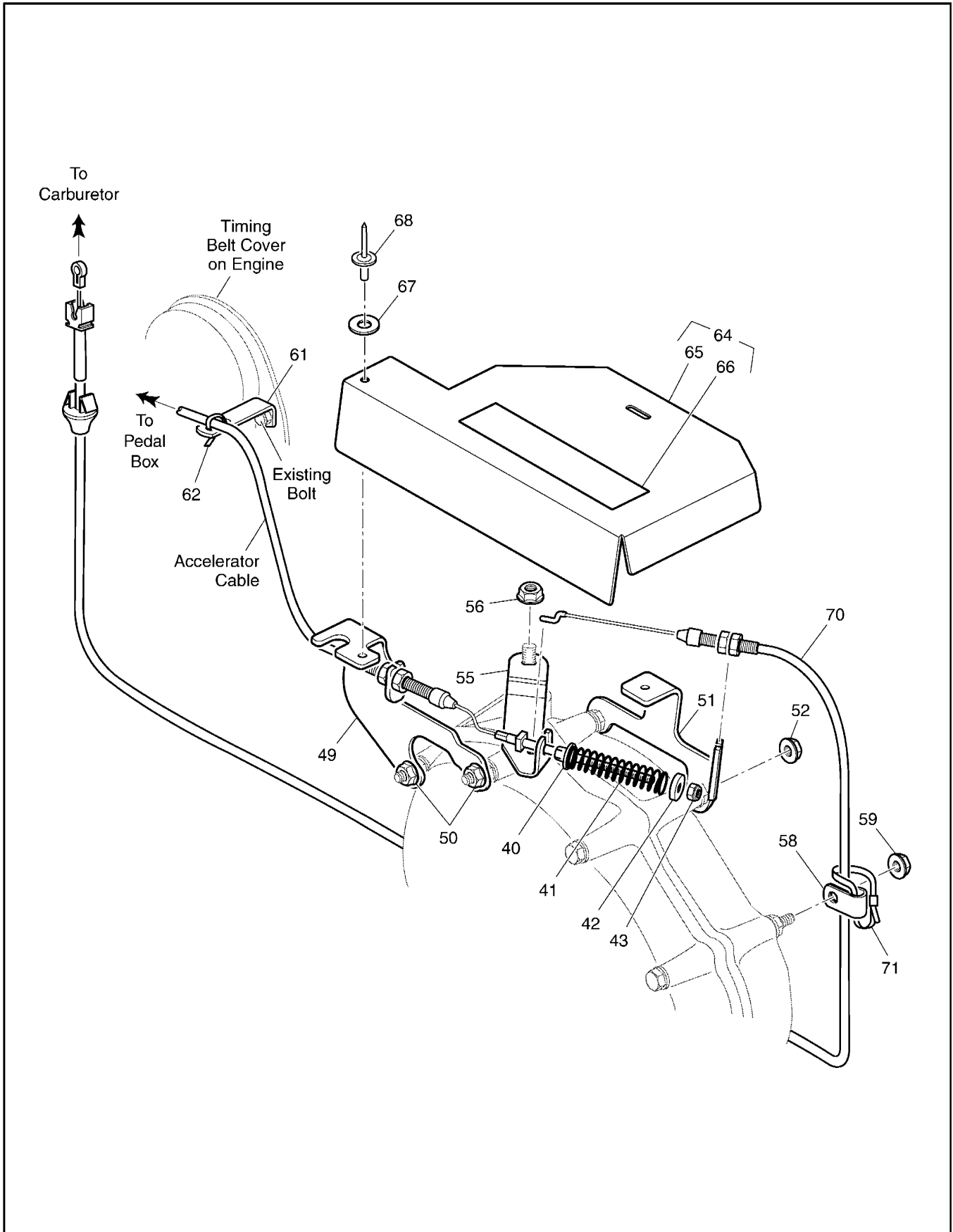
**To facilitate the maintenance and repair of the vehicle, a Technician's Repair and Service Manual is available from the Service Parts Department.**

# **ILLUSTRATED PARTS BREAKDOWN**

# **ILLUSTRATED PARTS BREAKDOWN**







When ordering parts, please specify the model and serial number of the product.

\* Indicates a component that is not available as an individual part.

G\*\* Indicates consult Customer Service Department for additional information.

ITEM	PART NO.	1 2 3 4 5	DESCRIPTION	QTY.
1	72717-G02		PEDAL BOX ASSEMBLY (INCLUDES ITEMS 3 - 45) .....	1
2				
3	25799-G01		ACCELERATOR PEDAL ASSEMBLY (INCLUDES ITEMS 4 - 7) .....	1
4	27844-G01		ACCELERATOR PEDAL PAD KIT (INCLUDES ITEMS 5 - 6) .....	1
5	15766-G1		OVAL RIVET, 3/16" X 3/8" LG .....	6
6	27512-G01		ACCELERATOR PEDAL PAD .....	1
7	*		ACCELERATOR PEDAL .....	1
8	17838-G1		NYLON BUSHING .....	3
9	74432-G01		PEDAL PIVOT PIN .....	1
10	12064-G6		PUSH NUT, 9/32" .....	1
11	10386-G3		CLEVIS PIN, 5/16" X 1" LG .....	1
12	17255-G1		TEFLON WASHER, 5/16" .....	1
13	10387-G3		COTTER PIN, 3/32" X 3/4" LG .....	1
14				
15				
16	10385-G4		CLEVIS YOKE (ADJUSTABLE) .....	1
17	00532-G4		LOCK NUT, 5/16 - 24 .....	2
18	72072-G01		ACCELERATOR ROD .....	1
19	17677-G2		SPRING RETAINER .....	1
20	73046-G01		COMPRESSION SPRING .....	1
21	17979-G1		ACCELERATOR ROD BUSHING .....	1
22	17677-G1		SPRING RETAINER .....	1
23				
24				
25	72716-G01		MICRO SWITCH CAM .....	1
26	00487-G3		SETSCREW, 1/4 - 20 X 3/8" LG .....	1
27	00550-G4		LOCK NUT, 5/16 - 24 .....	1
28	25853-G03		PEDAL BOX AND COVER .....	1
29	01051-G01		SCREW, #8 - 16 X 1/2" LG .....	4
30	00684-G6		SCREW, #8 - 32 X 3/4" LG .....	4

# ACCELERATOR - ALL CABLES

# Gasoline Vehicle

When ordering parts, please specify the model and serial number of the product.

\* Indicates a component that is not available as an individual part.

G\*\* Indicates consult Customer Service Department for additional information.

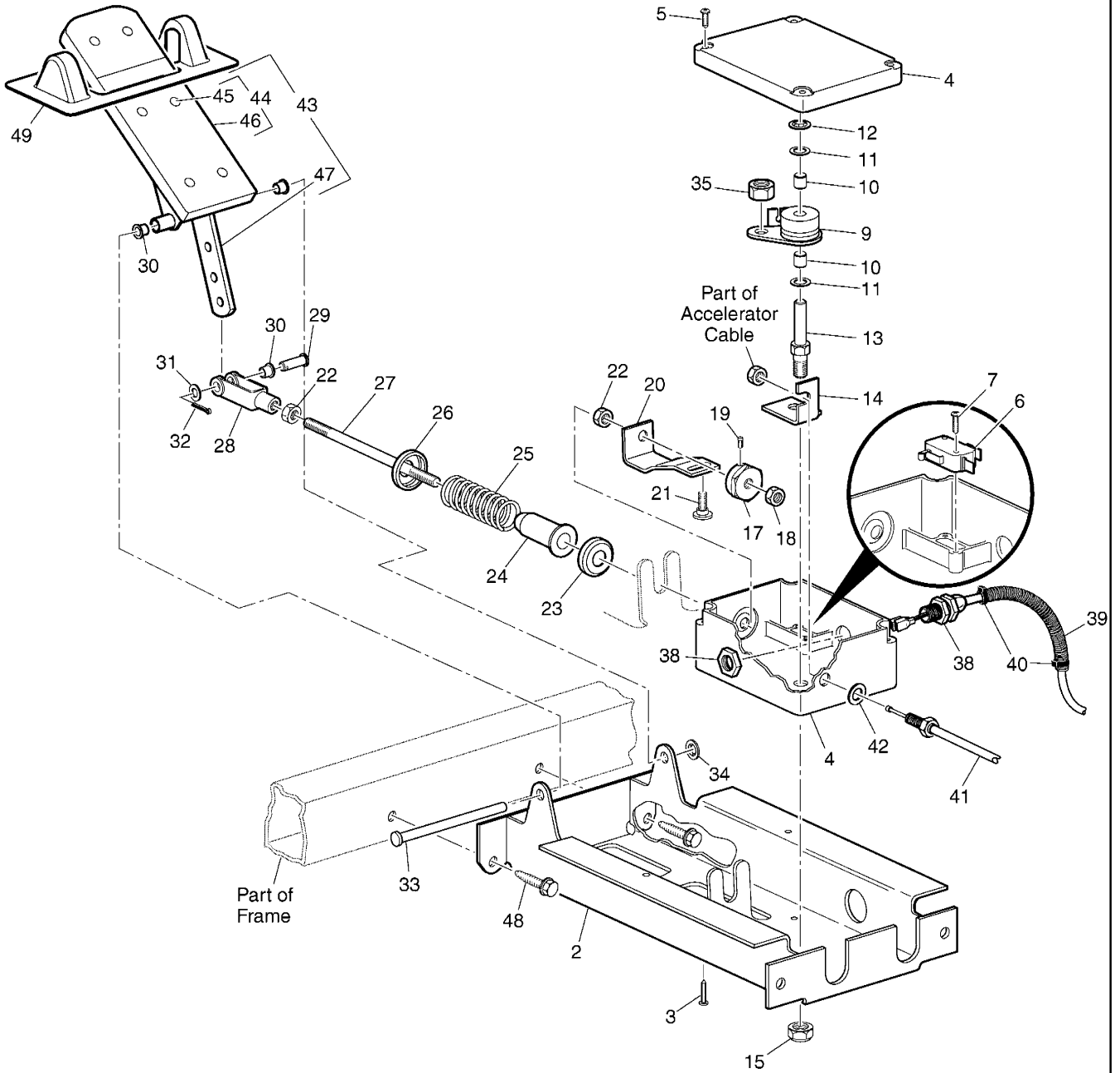
ITEM	PART NO.	1	2	3	4	5	DESCRIPTION	QTY.
31								
32	25861-G01						MICRO SWITCH .....	1
33	01050-G01						SCREW, #4 - 20 X 5/8" LG.....	2
34	72201-G04						WIRE HARNESS (PEDAL BOX) .....	1
35	17313-G1						LOOM FLEX (BULK) .....	AR
36	17618-G1						WIRE TIE.....	2
37								
38	72713-G02						ACCELERATOR CABLE .....	1
39								
40	72706-G01						ACCELERATOR CABLE BUSHING.....	1
41	72707-G01						COMPRESSION SPRING.....	1
42	25727-G02						CUP WASHER .....	1
43	00734-G5						LOCK NUT, #10 - 32.....	1
44								
45	70116-G01						ACCELERATOR PEDAL BRACKET .....	1
46	00715-G2						BOLT, 5/16 - 18 X 13/16" LG.....	4
47	70135-G01						PEDAL PIVOT COVER.....	1
48								
49	72701-G01						ACCELERATOR CABLE MOUNTING BRACKET .....	1
50	26830-G01						LOCK NUT, M8 X 1.25 MM .....	2
51	72703-G01						THROTTLE CABLE MOUNTING BRACKET .....	1
52	26830-G01						LOCK NUT, M8 X 1.25 MM .....	2
53								
54								
55	72708-G01						GOVERNOR ARM .....	1
56	26830-G01						LOCK NUT, M8 X 1.25 MM .....	1
57								
58	11845-G3						CLAMP.....	1
59	26830-G01						LOCK NUT, M8 X 1.25 MM .....	1
60								

When ordering parts, please specify the model and serial number of the product.  
 \* Indicates a component that is not available as an individual part.  
 G\*\* Indicates consult Customer Service Department for additional information.

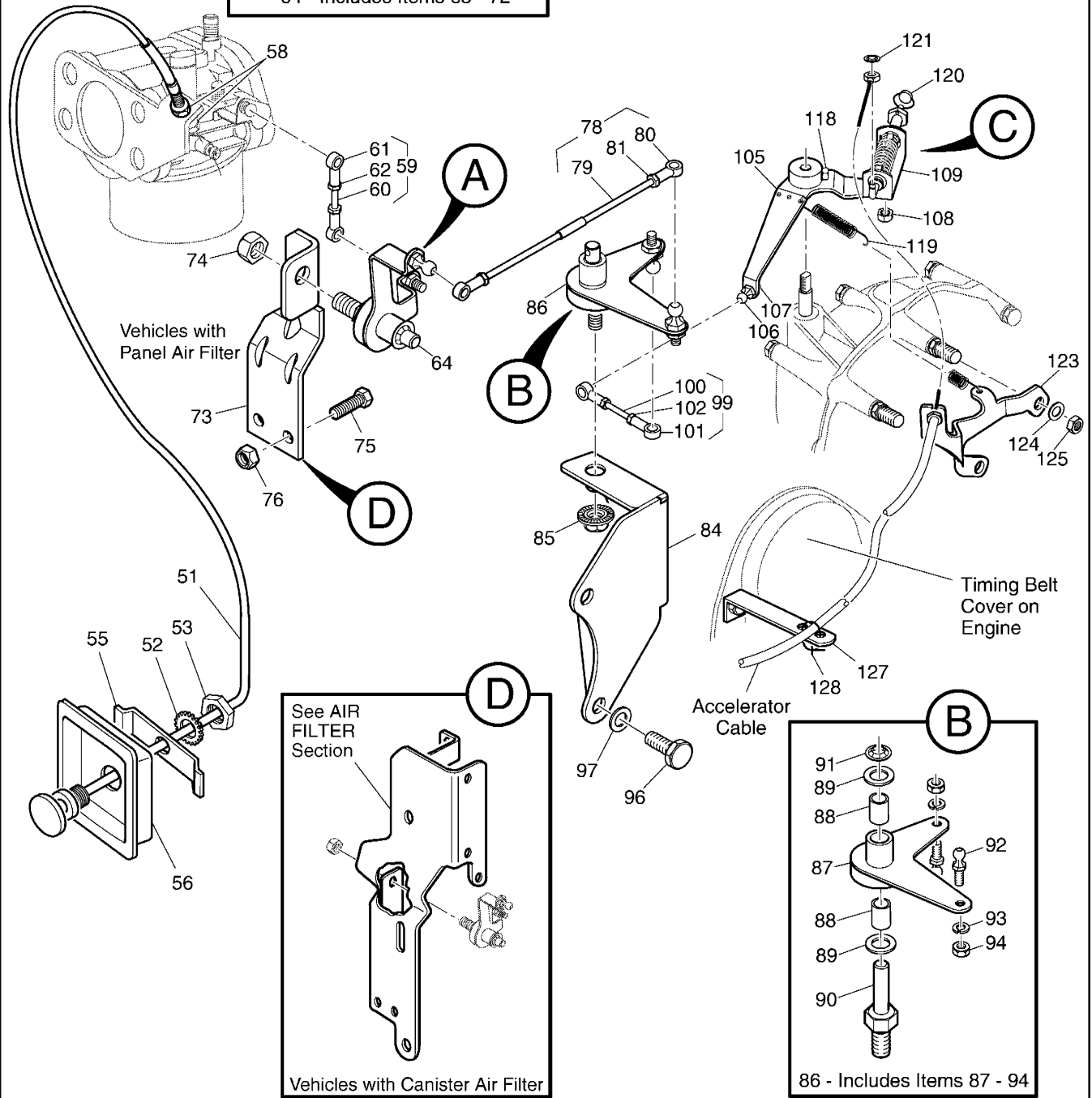
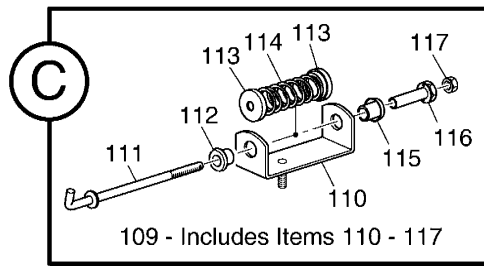
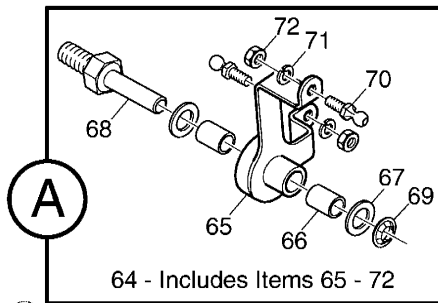
ITEM	PART NO.	1 2 3 4 5	DESCRIPTION	QTY.
61	72055-G01		ACCELERATOR CABLE BRACKET .....	1
62	17618-G1		WIRE TIE .....	1
63				
64	74457-G01		GOVERNOR COVER/DECAL ASSEMBLY (INCLUDES ITEMS 65, 66).....	1
65	72705-G01		GOVERNOR COVER.....	1
66	24880-G01		DECAL (WARNING - GOVERNOR).....	1
67	00915-G1		BONDED WASHER, 1/4" .....	2
68	14601-G11		RIVET, 3/16" X 9/16" LG .....	2
69				
70	72714-G01		THROTTLE CABLE .....	1
71	17618-G1		WIRE TIE .....	1



1 - Includes Items 2 - 47



83 - Includes Items 84 - 94  
 104 - Includes Items 105 - 117



# ACCELERATOR - CABLE AND LINKAGES

# Gasoline Vehicle

When ordering parts, please specify the model and serial number of the product.

\* Indicates a component that is not available as an individual part.

G\*\* Indicates consult Customer Service Department for additional information.

ITEM	PART NO.	1 2 3 4 5	DESCRIPTION	QTY.
1	72062-G03		PEDAL BOX ASSEMBLY (INCLUDES ITEMS 2 - 47) .....	1
2	70116-G01		ACCELERATOR PEDAL BRACKET.....	1
3	01051-G01		SCREW, #8 - 16 X 1/2" LG .....	4
4	25853-G02		PEDAL BOX AND COVER .....	1
5	00684-G6		SCREW, #8 - 32 X 3/4" LG .....	4
6	25861-G01		MICRO SWITCH.....	1
7	01050-G01		SCREW, #4 - 20 X 5/8" LG .....	2
8				
9	72066-G01		CONTROL ARM .....	1
10	23860-G1		BEARING.....	2
11	24621-G1		NYLON WASHER, 5/16".....	2
12	12064-G1		PUSH NUT, 5/16".....	1
13	25768-G01		PIVOT ROD .....	1
14	72199-G01		PIVOT BRACKET .....	1
15	14390-G1		LOCK NUT, 3/8 - 24.....	1
16				
17	72198-G03		MICRO SWITCH CAM.....	1
18	00550-G4		LOCK NUT, 5/16 - 24.....	1
19	00487-G3		SETSCREW, 1/4 - 20 X 3/8" LG .....	1
20	72074-G01		CONTROL ARM LINK .....	1
21	72225-G01		SHOULDER BOLT, #10 - 24 X 11/16" LG.....	1
22	00532-G4		LOCKNUT, 5/16 - 24.....	2
23	17677-G1		SPRING RETAINER .....	1
24	17979-G1		ACCELERATOR ROD BUSHING .....	1
25	73046-G01		COMPRESSION SPRING .....	1
26	17677-G2		SPRING RETAINER .....	1
27	72072-G01		ACCELERATOR ROD .....	1
28	10385-G4		CLEVIS YOKE (ADJUSTABLE).....	1
29	10386-G3		CLEVIS PIN, 5/16" X 1" LG .....	1
30	17838-G1		NYLON BUSHING .....	3

When ordering parts, please specify the model and serial number of the product.

\* Indicates a component that is not available as an individual part.

G\*\* Indicates consult Customer Service Department for additional information.

ITEM	PART NO.	1	2	3	4	5	DESCRIPTION	QTY.
31	17255-G1						TEFLON WASHER, 5/16".....	1
32	10387-G3						COTTER PIN, 3/32" X 3/4" LG .....	1
33	74432-G01						PEDAL PIVOT PIN .....	1
34	12064-G6						PUSH NUT, 9/32" .....	1
35	14390-G10						LOCK NUT, #10 - 24.....	1
36	12730-G1						WHEEL BEARING GREASE (NOT ILLUSTRATED).....	A/R
37								
38	72201-G02						WIRE HARNESS (PEDAL BOX) .....	1
39	17313-G1						LOOM FLEX (BULK) .....	AR
40	17618-G1						WIRE TIE.....	2
41	72065-G02						ACCELERATOR CABLE .....	1
42	00559-G8						WASHER, 5/16".....	1
43	25799-G01						ACCELERATOR PEDAL ASSEMBLY (INCLUDES ITEMS 44 - 47) .....	1
44	27844-G01						ACCELERATOR PEDAL PAD KIT (INCLUDES ITEMS 45 - 46) .....	1
45	15766-G1						OVAL RIVET, 3/16" X 3/8" LG .....	6
46	27512-G01						ACCELERATOR PEDAL PAD .....	1
47	*						ACCELERATOR PEDAL	
48	00715-G2						BOLT, 5/16 - 18 X 13/16" LG.....	4
49	70135-G01						PEDAL PIVOT COVER.....	1
50								
51	72401-G02						CHOKE CABLE (WITH NUTS) .....	1
52	00568-G4						LOCK WASHER, 9/16" .....	1
53	00545-G4						NUT, 9/16 - 18.....	1
54								
55	72155-G01						RETAINER .....	1
56	72154-G01						CHOKE CABLE ADAPTER.....	1
57								
58	00544-G4						JAM NUT, 5/16 - 24.....	2
59	25737-G01						CARBURETOR LINKAGE ROD (INCLUDES ITEMS 60 - 62).....	1
60	23722-G1						ADJUSTING ROD (SHORT) .....	1

**ACCELERATOR - CABLE AND LINKAGES****Gasoline Vehicle**

When ordering parts, please specify the model and serial number of the product.

\* Indicates a component that is not available as an individual part.

G\*\* Indicates consult Customer Service Department for additional information.

ITEM	PART NO.	1 2 3 4 5	DESCRIPTION	QTY.
61	24465-G1		BALL JOINT SOCKET .....	2
62	00526-G4		NUT, #10 - 32 .....	2
63				
64	25760-G01		CARBURETOR LINKAGE BELLCRANK (INCLUDES ITEMS 65 - 72).....	1
65	25759-G01		CARBURETOR PIVOT .....	1
66	23860-G1		BEARING .....	2
67	24621-G1		NYLON WASHER, 5/16" .....	2
68	25768-G01		PIVOT ROD .....	1
69	12064-G1		PUSH NUT, 5/16" .....	1
70	24479-G1		BALL JOINT BALL .....	2
71	00565-G5		LOCK WASHER, #10 .....	2
72	00526-G4		NUT, #10 - 32 .....	2
73	72197-G01		PIVOT BRACKET .....	1
74	14390-G1		LOCK NUT, 3/8 - 24 .....	1
75	00414-G8		BOLT, 1/4 - 20 X 1" LG .....	2
76	14390-G4		LOCK NUT, 1/4 - 20 .....	2
77				
78	72254-G01		THROTTLE LINKAGE ROD ASSEMBLY (INCLUDES ITEMS 79 - 81) .....	1
79	72609-G01		ADJUSTING ROD (LONG) .....	1
80	24465-G1		BALL JOINT SOCKET .....	2
81	00526-G4		NUT, #10 - 32 .....	2
82				
83	25702-G01		GOVERNOR PIVOT BRACKET ASSEMBLY (INCLUDES ITEMS 84 - 94).....	1
84	25655-G01		BELLCRANK BRACKET .....	1
85	14390-G1		LOCK NUT, 3/8 - 24 .....	1
86	25763-G01		GOVERNOR PIVOT ASSEMBLY (INCLUDES ITEMS 87 - 94) .....	1
87	25762-G01		GOVERNOR PIVOT .....	1
88	23860-G1		BEARING .....	2
89	24621-G1		NYLON WASHER, 5/16" .....	2
90	25768-G01		PIVOT ROD .....	1

When ordering parts, please specify the model and serial number of the product.

\* Indicates a component that is not available as an individual part.

G\*\* Indicates consult Customer Service Department for additional information.

ITEM	PART NO.	1	2	3	4	5	DESCRIPTION	QTY.
91	12064-G1						PUSH NUT, 5/16" .....	1
92	24479-G1						BALL JOINT BALL .....	2
93	00565-G5						LOCK WASHER, #10 .....	2
94	00526-G4						NUT, #10 - 32 .....	2
95								
96	00276-G6						BOLT, 5/16 - 24 X 3/4" LG .....	2
97	00565-G8						LOCK WASHER, 5/16" .....	2
98								
99	25737-G03						GOVERNOR LINKAGE ROD (INCLUDES ITEMS 100 - 102) .....	1
100	23722-G1						ADJUSTING ROD .....	1
101	24465-G1						BALL JOINT SOCKET .....	2
102	00526-G4						NUT, #10 - 32 .....	2
103								
104	25690-G01						GOVERNOR BELLCRANK ASSEMBLY (INCLUDES ITEMS 105 - 117) .....	1
105	25765-G01						GOVERNOR BELLCRANK .....	1
106	24479-G1						BALL JOINT BALL .....	1
107	00734-G5						LOCK NUT, #10 - 32 .....	1
108	14390-G4						LOCK NUT, 1/4 - 20 .....	1
109	22751-G2						GOVERNOR BRACKET ASSEMBLY (INCLUDES ITEMS 110 - 117) .....	1
110	22752-G1						GOVERNOR BRACKET .....	1
111	25274-G1						GOVERNOR ROD .....	1
112	22754-G1						BUSHING .....	1
113	25661-G01						CUP WASHER .....	2
114	23578-G1						COMPRESSION SPRING .....	1
115	22754-G2						BUSHING .....	1
116	23859-G1						GOVERNOR ADJUSTER .....	1
117	00526-G4						NUT, #10 - 32 .....	1
118	00491-G4						SETSCREW, 1/4 - 20 X 1/2" LG .....	2
119	25738-G01						SPRING .....	1
120	25286-G1						SAFETY SEAL, 3/8" .....	1

**ACCELERATOR - CABLE AND LINKAGES****Gasoline Vehicle**

When ordering parts, please specify the model and serial number of the product.

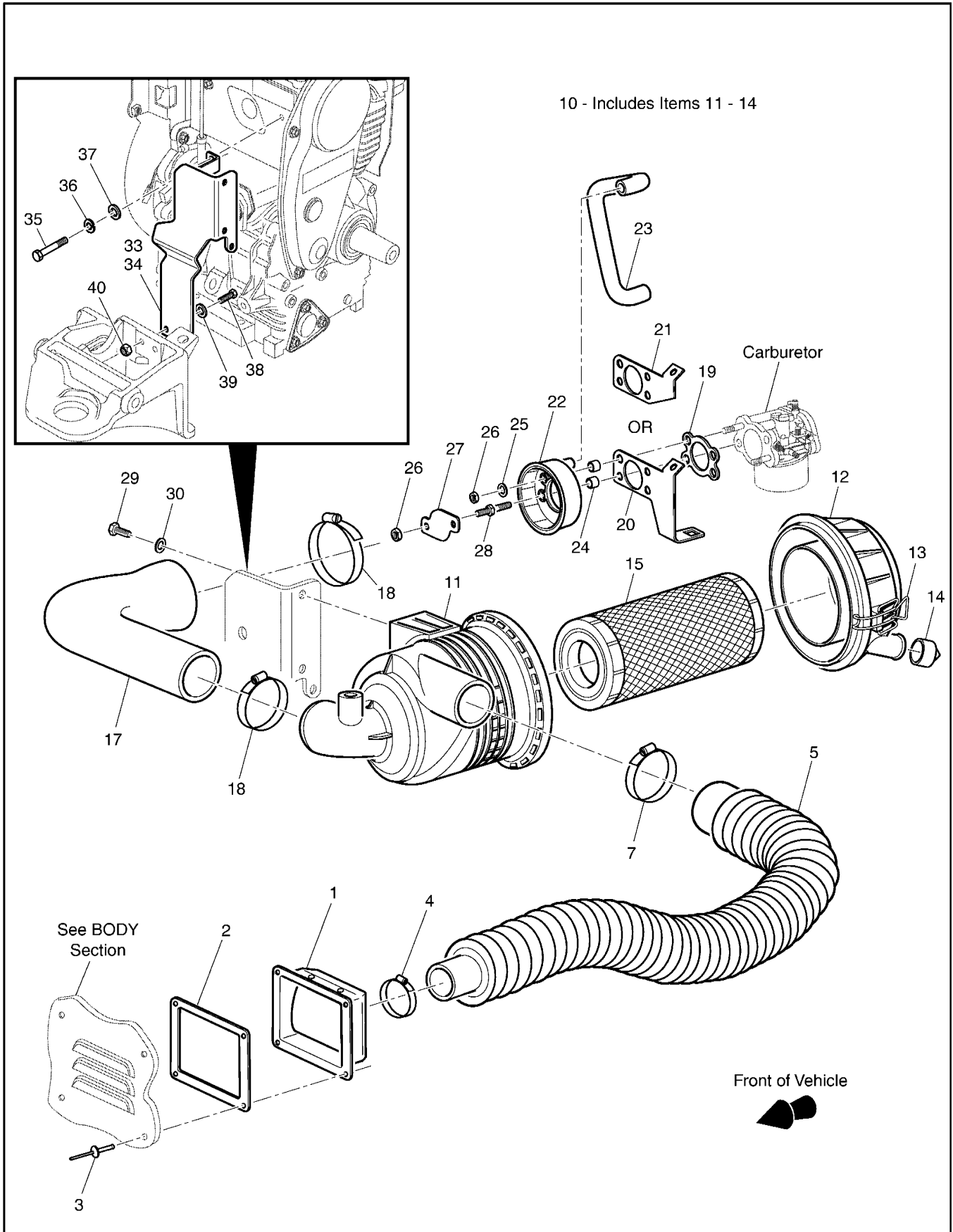
\* Indicates a component that is not available as an individual part.

G\*\* Indicates consult Customer Service Department for additional information.

ITEM	PART NO.	1 2 3 4 5	DESCRIPTION	QTY.
121	12064-G3		PUSH NUT, 3/16" .....	1
122				
123	25653-G01		ACCELERATOR CABLE BRACKET .....	1
124	26826-G01		LOCK WASHER, 8 MM .....	2
125	26827-G01		NUT, M8 X 1.25 MM .....	2
126				
127	72055-G01		ACCELERATOR CABLE BRACKET .....	1
128	17618-G1		WIRE TIE .....	7







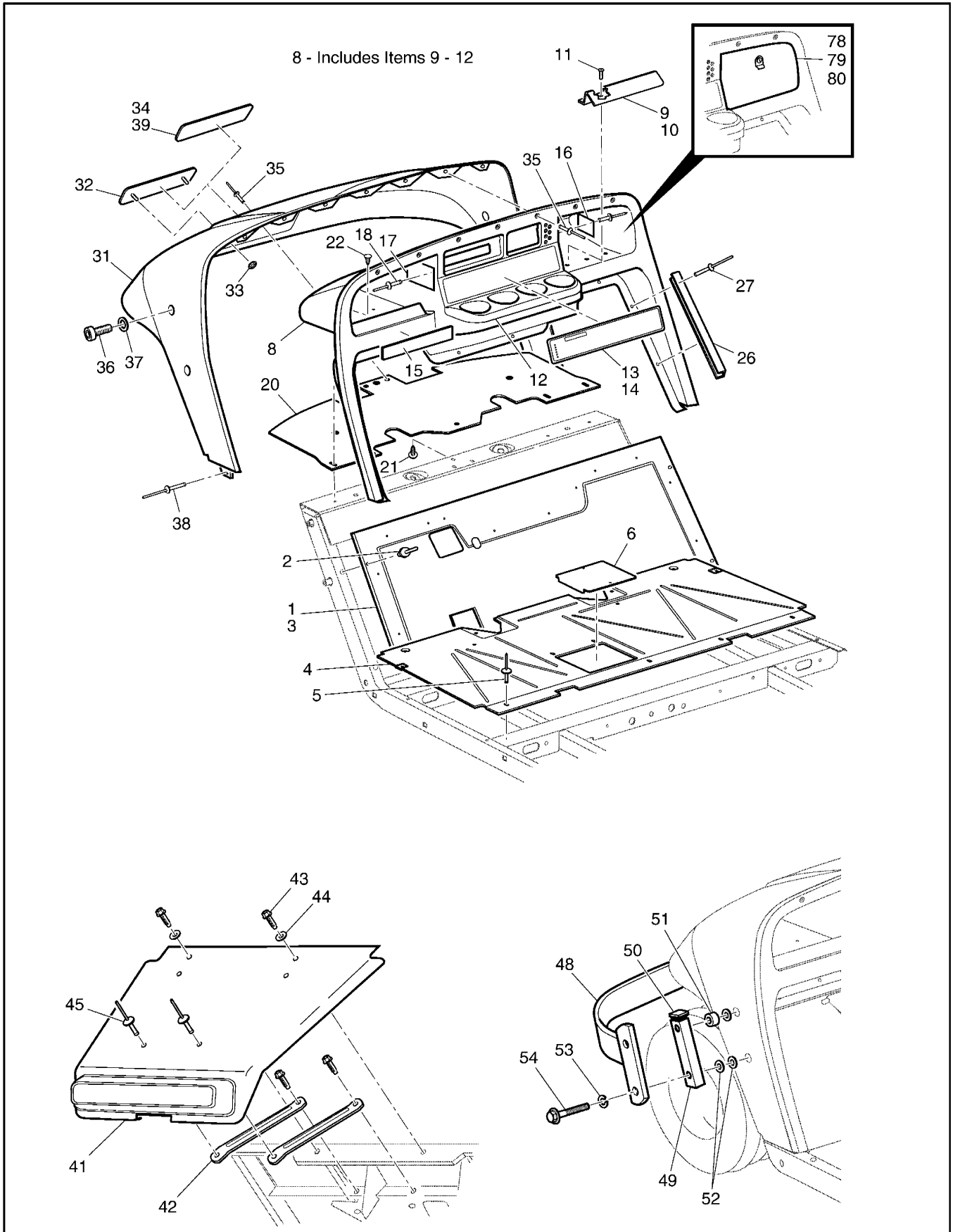
When ordering parts, please specify the model and serial number of the product.  
 \* Indicates a component that is not available as an individual part.  
 G\*\* Indicates consult Customer Service Department for additional information.

ITEM	PART NO.	1 2 3 4 5	DESCRIPTION	QTY.
1	72416-G01		INLET ADAPTER .....	1
2	72415-G01		GASKET .....	1
3	71055-G01		RIVET, 3/16" X 3/8" LG .....	4
4	11391-G2		CLAMP .....	1
5	72637-G02		HOSE (CONVOLUTED).....	1
6				
7	11391-G1		HOSE CLAMP.....	1
8				
9				
10	72607-G01		AIR CLEANER CANISTER ASSEMBLY (INCLUDES ITEMS 11 - 14) .....	1
11	72598-G01		AIR CLEANER CANISTER .....	1
12	72599-G01		AIR CLEANER COVER.....	1
13	72604-G01		AIR CLEANER LATCH .....	2
14	28462-G01		AIR CLEANER DUST COLLECTOR.....	1
15	28463-G01		AIR CLEANER ELEMENT .....	1
16				
17	72592-G01		HOSE (AIR FILTER TO CARBURETOR).....	1
18	11391-G6		HOSE CLAMP.....	2
19	26727-G01		CARBURETOR GASKET.....	2
20	72739-G01		CHOKE / THROTTLE BRACKET.....	1
21	26728-G01		CHOKE BRACKET .....	1
22	72591-G01		CARBURETOR ADAPTER .....	1
23	72151-G01		PCV HOSE.....	1
24	23726-G11		CARBURETOR MOUNTING SPACER .....	4
25	51400-G1		WASHER, 1/4" .....	2
26	13632-G1		NUT, M6 X 1 .....	4
27	72605-G01		CARBURETOR BAFFLE.....	1
28	72514-G01		STUD .....	2
29	12583-G3		BOLT, M8 X 1.25 X 16 MM.....	2
30	00565-G8		LOCK WASHER, 5/16".....	2

When ordering parts, please specify the model and serial number of the product.  
 \* Indicates a component that is not available as an individual part.  
 G\*\* Indicates consult Customer Service Department for additional information.

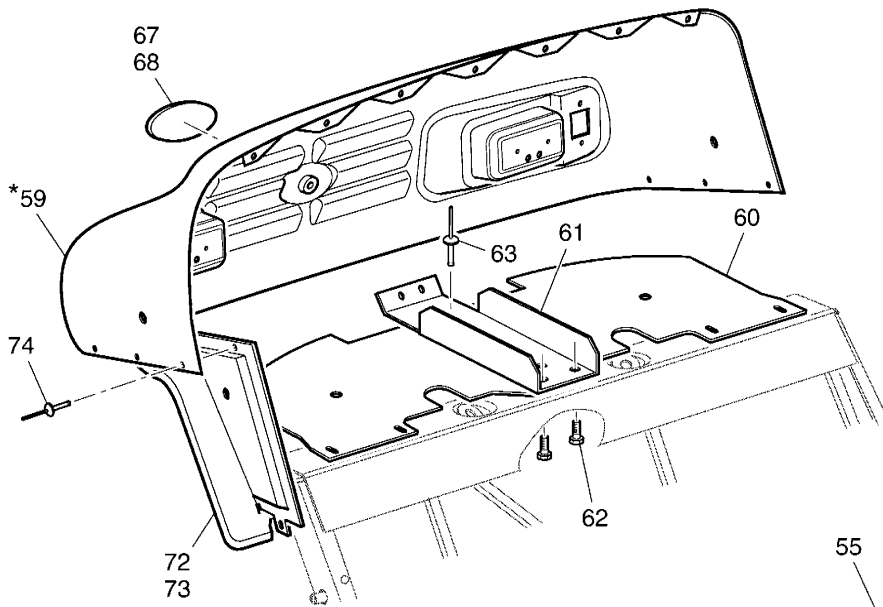
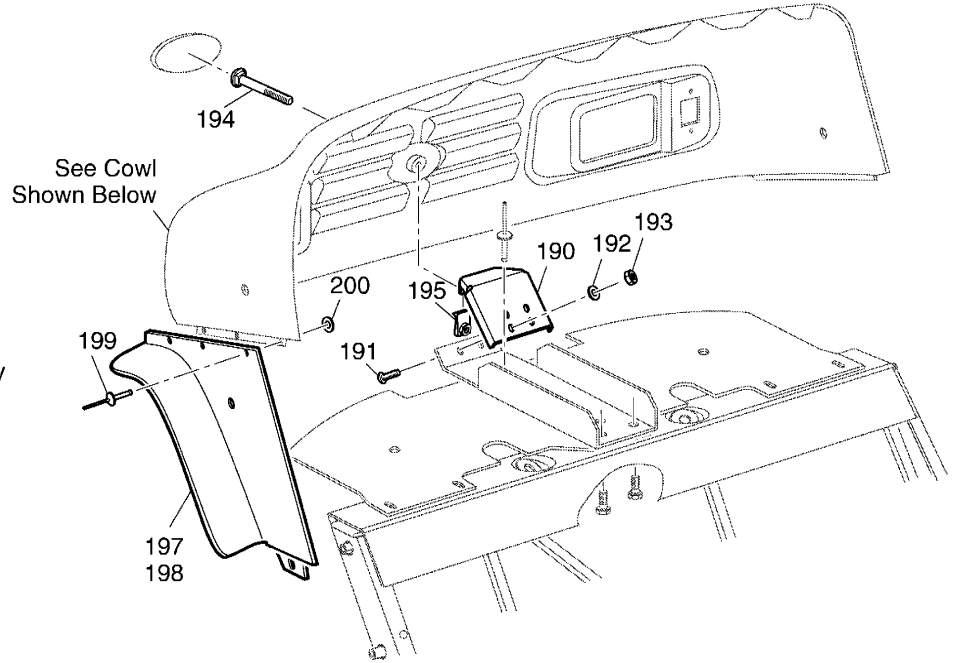
ITEM	PART NO.	1	2	3	4	5	DESCRIPTION	QTY.
31								
32								
33	72596-G01						AIR FILTER BRACKET (LINKAGE ACTUATED CARBURETOR) .....	1
34	75878-G01						AIR FILTER BRACKET (CABLE ACTUATED CARBURETOR).....	1
35	12547-G3						BOLT, M6 X 1MM X 20MM LG .....	1
36	00905-G7						LOCK WASHER, 1/4" .....	1
37	00559-G7						WASHER, 1/4" .....	1
38	00415-G2						BOLT, 1/4 - 20 X 1 1/4" LG .....	2
39	00605-G07						WASHER, 1/4" .....	2
40	14390-G4						LOCK NUT, 1/4 - 20 .....	2





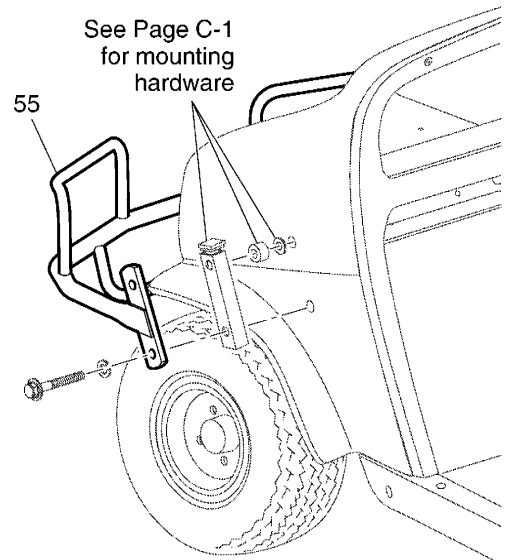
LX / SE MODEL

**Cowl Mounted Behind Top Of Fender Flare:**  
Used On All 2001 And Early 2002 Model Vehicles



**Cowl Mounted Over Top Of Fender Flare:**  
Used On Most 2002 Model Vehicles

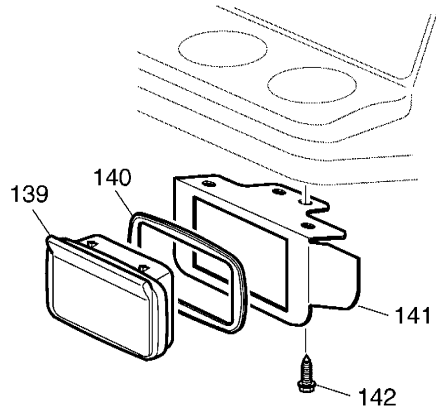
**\*NOTE:** This Cowl Is Service Replacement For All Prior Model Years When Ordered With Retrofit Kit (Item 206)



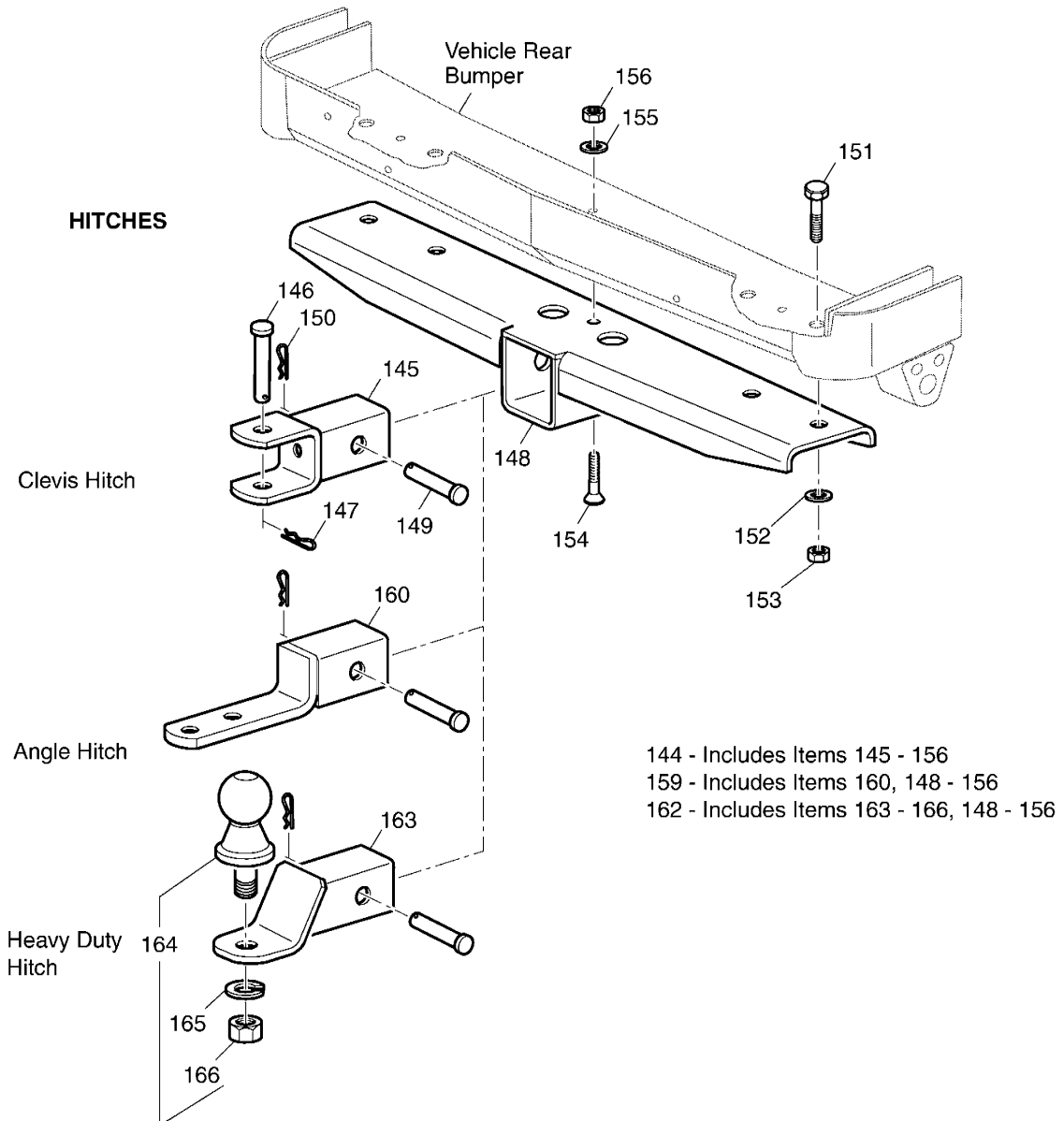


ASH TRAY

138 - Includes Items 139 - 142



HITCHES



144 - Includes Items 145 - 156  
159 - Includes Items 160, 148 - 156  
162 - Includes Items 163 - 166, 148 - 156



When ordering parts, please specify the model and serial number of the product.  
 \* Indicates a component that is not available as an individual part.  
 G\*\* Indicates consult Customer Service Department for additional information.

ITEM	PART NO.	1 2 3 4 5	DESCRIPTION	QTY.
1	70662-G01		UPPER FLOORPAN (AXLE MOUNTED STEERING) .....	1
2	14601-G11		RIVET, 3/16" X 9/16" LG .....	9
3	71510-G01		UPPER FLOORPAN (FRAME MOUNTED STEERING) .....	1
4	70451-G01		LOWER FLOORPAN.....	1
5	14601-G11		RIVET, 3/16" X 9/16" LG .....	7
6	70452-G01		ACCESS COVER.....	1
7				
8	71151-G01		INSTRUMENT PANEL ASSEMBLY (INCLUDES ITEMS 9 - 12) .....	1
9	71153-G01		DEFLECTOR (PASSENGER SIDE) .....	1
10	71154-G01		DEFLECTOR (DRIVER SIDE) .....	1
11	00614-G5		SCREW, #8 - 18 X 5/8" LG.....	6
12	71158-G01		INSTRUMENT PANEL INSERT (FOUR CUP) .....	1
13	71177-G01		LABEL (SAFETY) (TEXT) .....	1
14	74409-G01		LABEL (SAFETY) (PICTOGRAPH).....	1
15	74443-G01		LABEL (ANTI-ROLLBACK) .....	1
16	*		SERIAL NUMBER PLATE.....	1
17	*		CAPACITY PLATE .....	1
18	01041-G01		RIVET, 5/32" X 7/8" LG .....	4
19				
20	71413-G01		SPLASH PANEL.....	1
21	16816-G2		RATCHET FASTENER, 1/4" X 3/4" LG.....	1
22	16816-G2		RATCHET FASTENER, 1/4" X 3/4" LG.....	4
23				
24				
25				
26	71115-G01		VINYL TRIM .....	2
27	71055-G01		RIVET, 3/16" X 1" LG .....	10
28				
29				
30				

When ordering parts, please specify the model and serial number of the product.

\* Indicates a component that is not available as an individual part.

G\*\* Indicates consult Customer Service Department for additional information.

ITEM	PART NO.	1 2 3 4 5	DESCRIPTION	QTY.
31	71051-G**		COWL .....	1
32	71037-G02		NAMEPLATE (E-Z-GO).....	1
33	12064-G3		PUSHNUT, 3/16" .....	2
34	74403-G01		NAMEPLATE (CUSHMAN) .....	1
35	71055-G01		RIVET, 3/16" X 1" LG .....	9
36	71056-G01		BOLT, 5/16 - 18 X 5/8" LG.....	4
37	00570-G2		WASHER, 5/16" .....	4
38	14601-G13		RIVET, 5/32" X 9/16" LG .....	2
39	26947-G01		NAMEPLATE (JACOBSEN).....	1
40				
41	27166-G02		FRONT SHIELD.....	1
42	70725-G01		FRONT SHIELD BRACE.....	2
43	01038-G01		SCREW, 1/4 - 20 X 1/2" LG .....	4
44	16469-G1		WASHER, 1/4" .....	2
45	01057-G01		RIVET, KTR, 1/4" X 1" LG .....	2
46				
47				
48	74040-G01		FRONT BUMPER .....	1
49	74037-G01		SPACER TUBE .....	2
50	19859-G1		END CAP, 3/4" .....	2
51	75048-G01		SPACER, 1/2" .....	2
52	00570-G2		WASHER, 5/16" .....	6
53	00905-G8		LOCK WASHER, 5/16".....	4
54	01035-G02		BOLT, 5/16 - 18 X 2 1/2" LG.....	4
55	74265-G01		BUMPER (LX / SE) .....	1
56				
57				
58				
59	71468-G**		COWL (LX / SE).....	1
60	71413-G01		SPLASH PANEL.....	1

**BODY****Gasoline Vehicle**

When ordering parts, please specify the model and serial number of the product.

\* Indicates a component that is not available as an individual part.

G\*\* Indicates consult Customer Service Department for additional information.

ITEM	PART NO.	1 2 3 4 5	DESCRIPTION	QTY.
61	71101-G01		COWL SUPPORT BRACKET .....	1
62	71102-G02		SELF TAPPING SCREW, 1/4 - 20 X 1/2" LG .....	3
63	71055-G02		RIVET, 3/16" X 1 1/8" LG .....	1
64				
65				
66				
67	71289-G01		NAMEPLATE (E-Z-GO) (OVAL) .....	1
68	74401-G01		NAMEPLATE (CUSHMAN) (OVAL) .....	1
69				
70				
71				
72	71338-G01		FENDER FLARE (DRIVER SIDE).....	1
73	71338-G02		FENDER FLARE (PASSENGER SIDE) .....	1
74	71055-G01		RIVET, 3/16" X 1" LG .....	6
75				
76				
77				
78	75459-G01		GLOVE BOX DOORS (BOTH SIDES) .....	1
79	75459-G02		GLOVE BOX DOOR (DRIVER SIDE) .....	1
80	75459-G03		GLOVE BOX DOOR (PASSENGER SIDE).....	1
81				
82				
83				
84	71439-G01		ROCKER PANEL (DRIVER SIDE) .....	1
85	71439-G02		ROCKER PANEL (PASSENGER SIDE) .....	1
86	71424-G01		FENDER SPACER (DRIVER SIDE).....	1
87	71424-G02		FENDER SPACER (PASSENGER SIDE) .....	1
88	71440-G01		BRACE (DRIVER SIDE).....	1
89	71440-G02		BRACE (PASSENGER SIDE) .....	1
90	00789-G2		SCREW, #10 - 24 X 1 1/4" LG .....	4

When ordering parts, please specify the model and serial number of the product.

\* Indicates a component that is not available as an individual part.

G\*\* Indicates consult Customer Service Department for additional information.

ITEM	PART NO.	1 2 3 4 5	DESCRIPTION	QTY.
91	23726-G2		SPACER, 1/4" .....	2
92	00660-G5		WASHER, #10.....	4
93	11098-G7		LOCK NUT, #10 - 24 .....	4
94				
95	16705-G1		SCREW, 1/4 - 20 X 1" LG .....	4
96	23726-G2		SPACER, 1/4" .....	4
97	00559-G7		WASHER, 1/4" .....	4
98	14390-G4		LOCK NUT, 1/4 - 20 .....	4
99	71764-G01		SILL PLATE TREAD.....	2
100				
101				
102	70048-G**		FLOORMAT (FRAME MOUNTED STEERING) .....	1
103	70663-G**		FLOORMAT (AXLE MOUNTED STEERING) .....	1
104	71976-G**		SEAT SUPPORT PANEL (W/DRIVER SIDE LOUVERS) .....	1
105				
106				
107	10570-G10		RIVET, 5/32" X 9/16" LG .....	8
108	71609-G01		SEAT HINGE PLATE.....	2
109	10570-G11		RIVET, 3/16" X 3/4" LG .....	4
110	71674-G01		SIDE PANEL (DRIVER SIDE) .....	1
111	71674-G02		SIDE PANEL (PASSENGER SIDE) .....	1
112	10570-G10		RIVET, 5/32" X 9/16" LG .....	4
113	10570-G12		RIVET, 1/4" X 1/2" LG .....	4
114	16469-G7		WASHER, 1/4" .....	4
115				
116	70244-G02		SPLASH PANEL.....	1
117	00715-G2		BOLT, 5/16 - 18 X 13/16" LG.....	2
118	00438-G8		BOLT, 5/16 - 18 X 1" LG.....	2
119	00559-G8		WASHER, 5/16" .....	2
120	11098-G6		LOCK NUT, 5/16 - 18 .....	2

When ordering parts, please specify the model and serial number of the product.  
 \* Indicates a component that is not available as an individual part.  
 G\*\* Indicates consult Customer Service Department for additional information.

ITEM	PART NO.	1	2	3	4	5	DESCRIPTION	QTY.
121								
122	74297-G01						FENDER (DRIVER SIDE) .....	1
123	74297-G02						FENDER (PASSENGER SIDE).....	1
124	74297-G03						FENDER WITH TAILLIGHT (DRIVER SIDE) .....	1
125	74297-G04						FENDER WITH TAILLIGHT (PASSENGER SIDE) .....	1
126	00414-G7						BOLT, 1/4 - 20 X 7/8" LG.....	12
127	00559-G7						WASHER, 1/4" .....	12
128	11027-G2						LOCK NUT, 1/4 - 20 .....	12
129	71587-G01						REAR PANEL.....	1
130	71055-G01						RIVET, 3/16" X 1" LG .....	4
131								
132	71588-G01						SEAT FILLER PANEL (DRIVER SIDE) .....	1
133	71588-G02						SEAT FILLER PANEL (PASSENGER SIDE).....	1
134	10570-G10						RIVET, 5/32" X 9/16" LG .....	6
135	20271-G3						HOLE PLUG, 2" .....	2
136								
137								
138	75109-G02						ASH TRAY KIT (INCLUDES ITEMS 139 - 142) .....	1
139	27731-G01						ASH TRAY.....	1
140	27736-G01						GASKET .....	1
141	75108-G01						BRACKET.....	1
142	00100-G4						SCREW, #10 - 16 X 1/2" LG.....	4
143								
144	74270-G07						CLEVIS HITCH KIT (INCLUDES ITEMS 145 - 156) .....	1
145	74338-G01						CLEVIS HITCH.....	1
146	14443-G7						CLEVIS PIN, 1/2" X 2 1/2" LG .....	1
147	19314-G1						COTTER PIN, 2 1/2" LG.....	1
148	74348-G01						HITCH RECEIVER .....	1
149	21317-G01						CLEVIS PIN, 5/8" X 3" LG .....	1
150	21683-G1						COTTER PIN, 15/32" X 2 11/16" LG .....	1

When ordering parts, please specify the model and serial number of the product.

\* Indicates a component that is not available as an individual part.

G\*\* Indicates consult Customer Service Department for additional information.

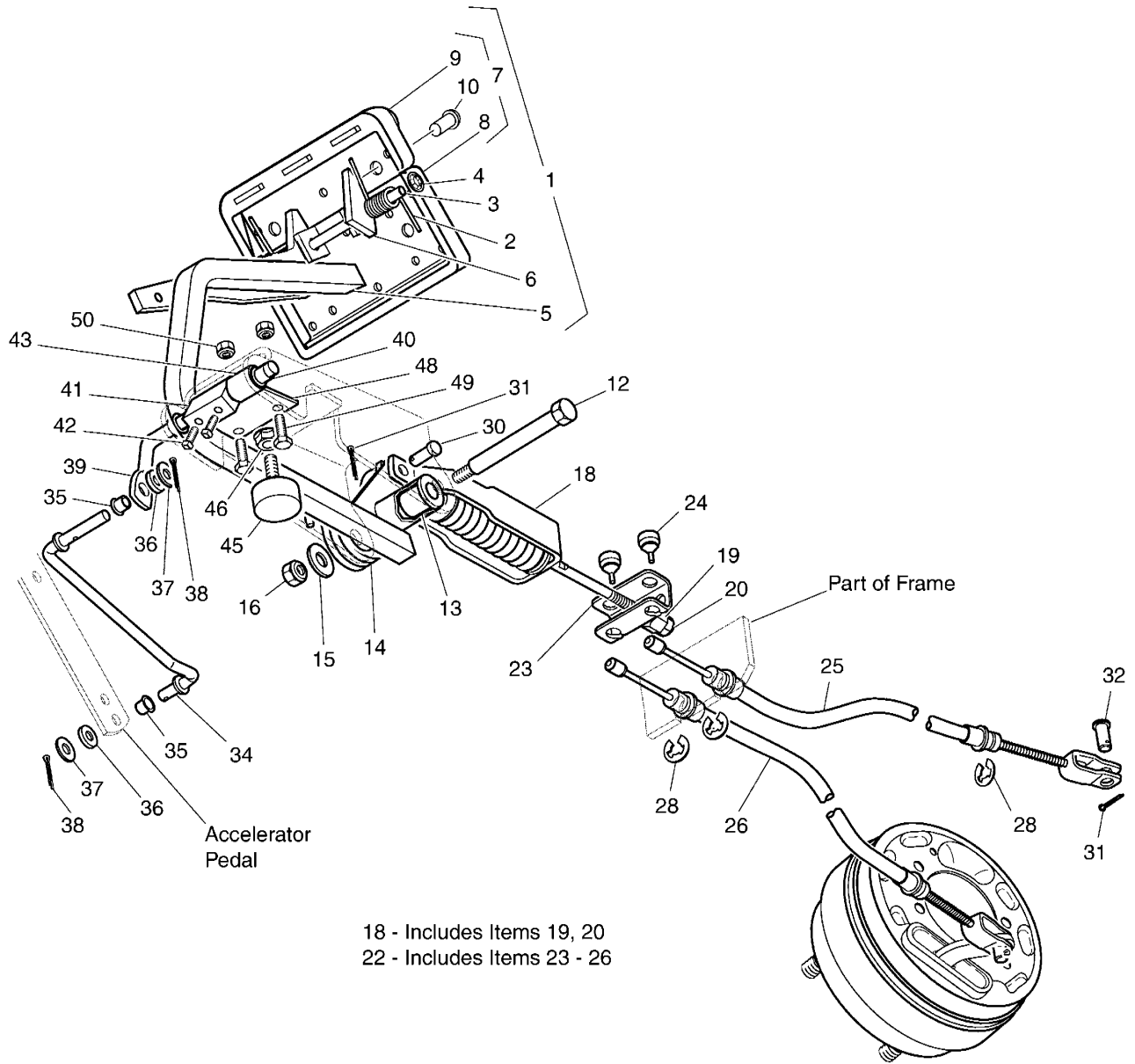
ITEM	PART NO.	1 2 3 4 5	DESCRIPTION	QTY.
151	00463-G4		BOLT, 7/16 - 14 X 1 1/2" LG .....	4
152	00922-G3		WASHER, 7/16" .....	4
153	00734-G1		LOCK NUT, 7/16 - 14.....	4
154	00198-G8		SCREW, 5/16 - 18 X 1" LG.....	1
155	00569-G2		WASHER, 5/16".....	1
156	11098-G6		LOCK NUT, 5/16 - 18.....	1
157				
158				
159	74270-G05		ANGLE HITCH KIT (INCLUDES ITEMS 160 AND 148 - 156) .....	1
160	74339-G01		ANGLE HITCH .....	1
161				
162	74270-G03		HEAVY DUTY HITCH KIT (INCLUDES ITEMS 163 - 166 AND 148 - 156) .....	1
163	74351-G01		HEAVY DUTY HITCH.....	1
164	31757-G1		HITCH BALL, 1 7/8" .....	1
165	00566-G6		LOCK WASHER, 3/4" .....	1
166	00702-G11		NUT, 3/4 - 16 .....	1
167				
168	70384-G02		SEAT FRAME (FOR DUAL CABLE DIRECTION SELECTOR) .....	1
169	70384-G03		SEAT FRAME (FOR SINGLE CABLE DIRECTION SELECTOR) .....	1
170	70200-G01		SCREW, 3/8 - 16 X 1/4" LG .....	4
171				
172	70113-G01		ADJUSTABLE BUMPER.....	2
173	11027-G1		LOCK NUT, 5/16 - 18 .....	2
174				
175	70245-G01		BATTERY TRAY.....	1
176	00715-G2		BOLT, 5/16 - 18 X 13/16" LG.....	2
177	00438-G8		BOLT, 5/16 - 18 X 1" LG.....	2
178	00571-G2		WASHER, 5/16" .....	2
179	11098-G6		LOCK NUT, 5/16 - 18 .....	2
180				

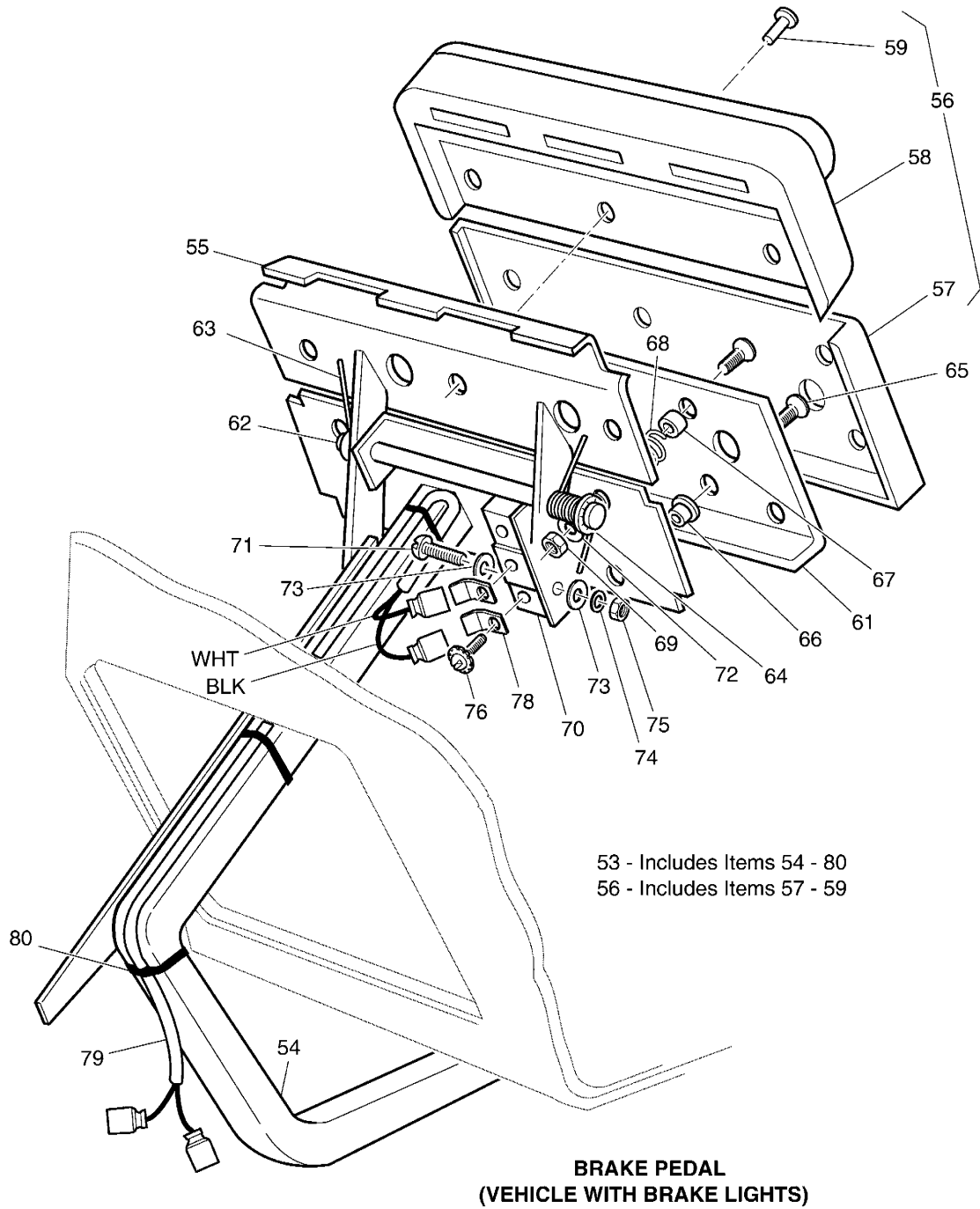
When ordering parts, please specify the model and serial number of the product.  
 \* Indicates a component that is not available as an individual part.  
 G\*\* Indicates consult Customer Service Department for additional information.

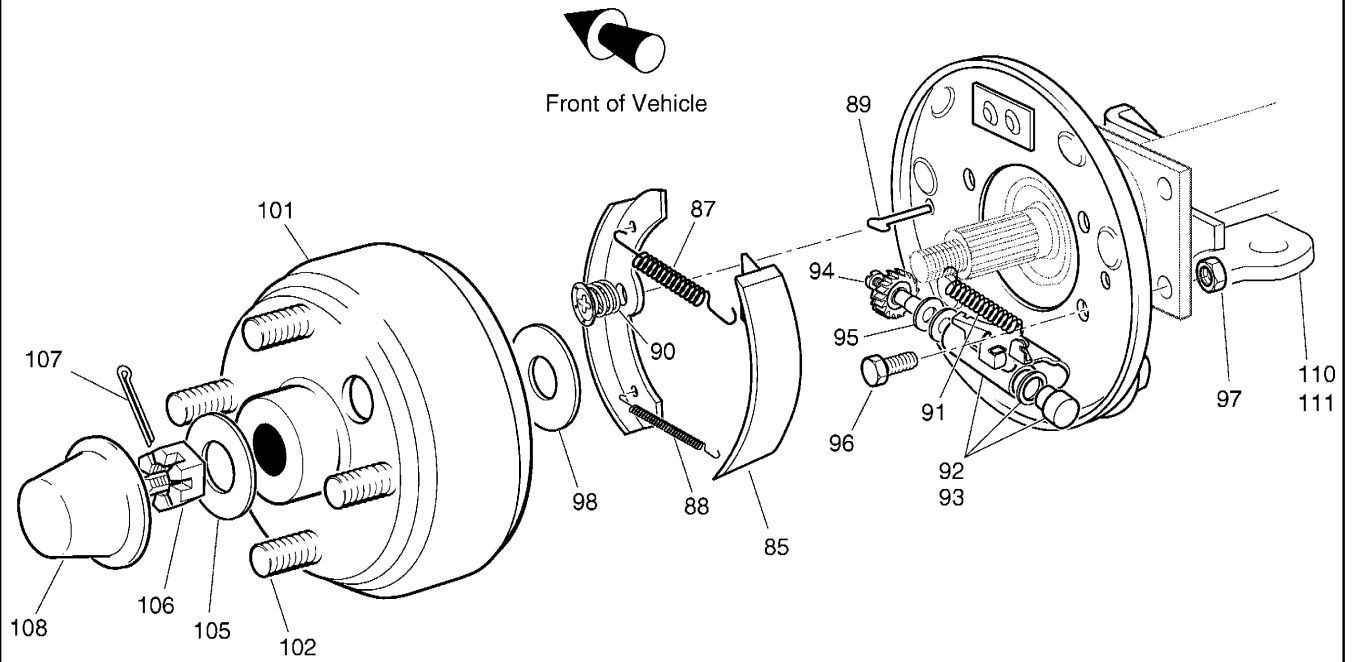
ITEM	PART NO.	1 2 3 4 5	DESCRIPTION	QTY.
181	35062-G01		DECAL (WORKHORSE®).....	2
182	35430-G02		DECAL (1200).....	2
183	35430-G01		DECAL (1200 LX) .....	2
184	74407-G01		DECAL (COMMANDER™) .....	2
185	74416-G02		DECAL (2200).....	2
186	74416-G01		DECAL (2200 SE) .....	2
187				
188				
189				
190	71463-G01		COWL SUPPORT BRACE.....	1
191	00740-G4		SCREW, #10 - 32 X 1/2" LG .....	2
192	00559-G5		WASHER, #10.....	2
193	00921-G8		LOCK NUT, #10 - 32 .....	2
194	16705-G9		SCREW, 1/4 - 20 X 1 1/4" LG .....	1
195	14776-G1		RETAINER NUT ('J' TYPE), 1/4 - 20.....	1
196				
197	75815-G01		FENDER FLARE (DRIVER SIDE).....	1
198	75815-G02		FENDER FLARE (PASSENGER SIDE) .....	1
199	71045-G01		RIVET, 5/32" X 3/4" LG .....	6
200	00559-G4		WASHER, #8.....	6
201				
202				
203	23726-G2		SPACER, 1/4" .....	2
204				
205				
206	73464-G01		COWL RETROFIT SERVICE KIT (INCLUDES ITEMS 72-74, 86 AND 87).....	1











- 82 - Includes Items 84 - 92
- 83 - Includes Items 84 - 93
- 84 - Includes Items 85
- 86 - Includes Items 87 - 91
- 92 - Includes Items 94, 95
- 93 - Includes Items 94, 95
- 100 - Includes Items 101, 102

When ordering parts, please specify the model and serial number of the product.

\* Indicates a component that is not available as an individual part.

G\*\* Indicates consult Customer Service Department for additional information.

ITEM	PART NO.	1 2 3 4 5	DESCRIPTION	QTY.
1	70612-G01		BRAKE PEDAL ASSEMBLY (WITHOUT BRAKE LIGHTS) (INCLUDES ITEMS 2 - 10) .....	1
2	70681-G01		TORSION SPRING .....	2
3	70682-G01		PIVOT PIN.....	1
4	01071-G01		PUSHNUT, 5/16" .....	1
5	*		BRAKE PEDAL.....	1
6	70611-G01		PARK BRAKE PEDAL.....	1
7	70274-G01		BRAKE/PARK BRAKE PEDAL PAD KIT (INCLUDES ITEMS 8 - 10) .....	1
8	*		SERVICE BRAKE PAD .....	1
9	*		PARK BRAKE PEDAL PAD.....	1
10	15766-G1		OVAL RIVET, 3/16" X 3/8" LG .....	9
11				
12	70582-G01		SHOULDER BOLT, 3/8 - 16 X 4" LG.....	1
13	70581-G01		FLANGED BUSHING .....	2
14	70676-G01		TORSION SPRING .....	1
15	00643-G1		WASHER, 3/8" .....	1
16	11098-G5		LOCK NUT, 3/8 - 16 .....	1
17				
18	70272-G04		COMPENSATOR ASSEMBLY (INCLUDES ITEMS 19, 20).....	1
19	00963-G01		SPHERICAL NUT, 5/16 - 24.....	1
20	11098-G9		LOCK NUT, 5/16 - 24.....	1
21				
22	70969-G05		EQUALIZER AND BRAKE CABLE ASSEMBLY (INCLUDES ITEMS 23 - 26) ...	1
23	28082-G01		EQUALIZER BRACKET .....	1
24	28083-G01		BRAKE COMPENSATOR BUMPER.....	2
25	*		BRAKE CABLE (DRIVER SIDE) .....	1
26	*		BRAKE CABLE (PASSENGER SIDE).....	1
27				
28	12305-G1		RETAINING RING .....	4
29				

**BRAKES****Gasoline Vehicle**

When ordering parts, please specify the model and serial number of the product.

\* Indicates a component that is not available as an individual part.

G\*\* Indicates consult Customer Service Department for additional information.

ITEM	PART NO.	1 2 3 4 5	DESCRIPTION	QTY.
30	10386-G3		CLEVIS PIN, 5/16" X 1" LG.....	3
31	10387-G3		COTTER PIN, 3/32" X 3/4" LG.....	3
32	14443-G2		CLEVIS PIN, 5/16" X 3/4" LG.....	2
33				
34	70601-G01		KICK-OFF LINK .....	1
35	17838-G1		NYLON BUSHING.....	2
36	20835-G1		TEFLON WASHER, 3/8" .....	2
37	00559-G8		WASHER, 5/16" .....	2
38	10387-G3		COTTER PIN, 3/32" X 3/4" LG.....	2
39	70098-G01		KICK-OFF CAM PIVOT.....	1
40	10097-G6		FLANGED BEARING .....	2
41	70587-G01		KICK-OFF CAM.....	1
42	71215-G01		SETSCREW, 1/4 - 20 X 1/2" LG .....	2
43	14134-G4		SPACER.....	1
44				
45	70113-G01		ADJUSTABLE BUMPER.....	1
46	11027-G1		LOCK NUT, 5/16 - 18 .....	1
47				
48	70080-G01		CATCH BRACKET .....	1
49	00414-G6		BOLT, 1/4 - 20 X 3/4" LG.....	2
50	00891-G2		LOCK NUT, 1/4 - 20 .....	2
51				
52				
53	70690-G01		BRAKE PEDAL ASSEMBLY (WITH BRAKE LIGHTS) (INCLUDES ITEMS 54 - 80) .....	1
54	*		BRAKE PEDAL.....	1
55	70611-G01		PARK BRAKE PEDAL .....	1
56	70274-G01		BRAKE/PARK BRAKE PEDAL PAD KIT (INCLUDES ITEMS 57 - 59) .....	1
57	*		SERVICE BRAKE PAD .....	1
58	*		PARK BRAKE PAD .....	1

When ordering parts, please specify the model and serial number of the product.

\* Indicates a component that is not available as an individual part.

G\*\* Indicates consult Customer Service Department for additional information.

ITEM	PART NO.	1	2	3	4	5	DESCRIPTION	QTY.
59	15766-G1						OVAL RIVET, 3/16" x 3/8" LG.....	9
60								
61	70258-G02						BRAKE PEDAL PLATE .....	1
62	70682-G01						PIVOT PIN.....	1
63	70681-G01						TORSION SPRING .....	2
64	01071-G01						PUSHNUT, 5/16" .....	1
65	00737-G8						SCREW, #10 - 24 X 1" LG.....	4
66	00739-G1						RUBBER NUT, #10 - 24 .....	2
67	22362-G3						BRAKE PEDAL STANDOFF .....	2
68	27137-G01						CONICAL SPRING.....	2
69	11098-G7						LOCK NUT, #10 - 24.....	2
70	10606-G8						MICRO SWITCH .....	1
71	00957-G1						SCREW, #6 - 32 X 1 1/4" LG.....	2
72	00559-G5						WASHER, #10.....	2
73	00559-G3						WASHER, #6.....	4
74	00565-G3						LOCK WASHER, #6.....	2
75	00525-G5						NUT, #6 - 32 .....	2
76	13514-G1						SCREW AND LOCK WASHER, #6 .....	2
77								
78	14628-G1						FASTON TAB .....	2
79	24605-G1						WIRE HARNESS (BRAKE LIGHT).....	1
80	17618-G1						WIRE TIE.....	3
81								
82	70793-G01						BRAKE ASSEMBLY (DRIVER SIDE) (INCLUDES ITEMS 84 - 92).....	1
83	70793-G02						BRAKE ASSEMBLY (PASSENGER SIDE) (INCL. ITEMS 84 - 91, 93) .....	1
84	70794-G01						BRAKE SHOE KIT (INCLUDES ITEM 85) .....	2
85	*						BRAKE SHOE .....	2
86	27944-G01						BRAKE SPRING KIT (INCLUDES ITEMS 87 - 91) .....	2
87	*						UPPER SPRING .....	1
88	*						LOWER SPRING .....	1

# BRAKES

# Gasoline Vehicle

When ordering parts, please specify the model and serial number of the product.

\* Indicates a component that is not available as an individual part.

G\*\* Indicates consult Customer Service Department for additional information.

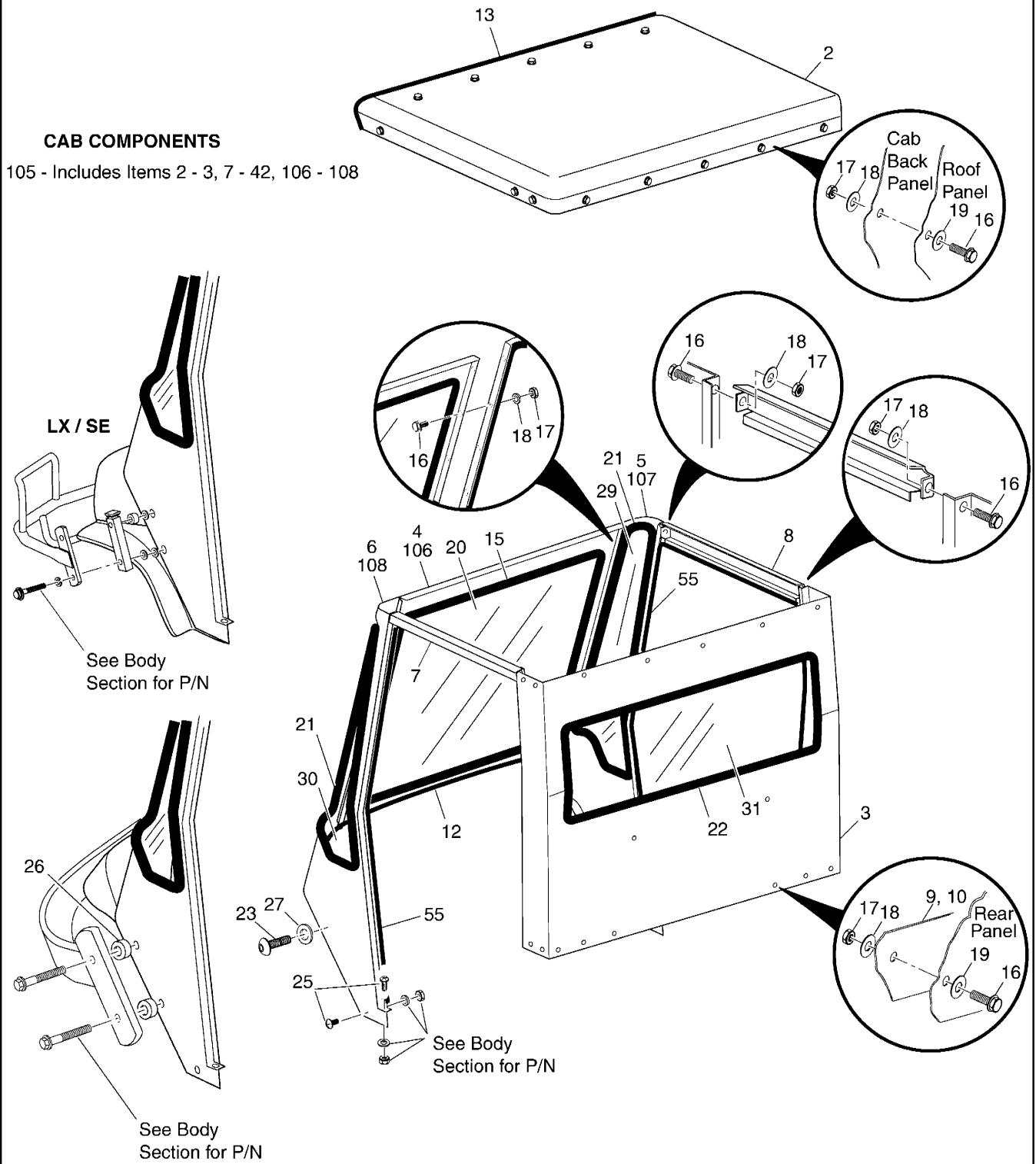
ITEM	PART NO.	1	2	3	4	5	DESCRIPTION	QTY.
89	*						PIN .....	2
90	*						CUP AND SPRING .....	2
91	*						ADJUSTER SPRING.....	1
92	72582-G01						BRAKE ADJUSTER KIT (DRIVER SIDE) (INCLUDES ITEMS 94, 95).....	1
93	72582-G02						BRAKE ADJUSTER KIT (PASSENGER SIDE) (INCL ITEMS 94, 95) .....	1
94	*						ADJUSTER .....	1
95	*						TEFLON WASHER .....	2
96	17083-G2						BOLT, 5/16 - 24 X 1" LG.....	8
97	15126-G1						LOCK NUT, 5/16 - 24 .....	8
98	21809-G1						INNER BRAKE DRUM WASHER, 1 5/16" OD X 1" ID X 1/32".....	2
99								
100	21807-G1						BRAKE DRUM ASSEMBLY (INCLUDES ITEMS 101 - 102) .....	2
101	*						BRAKE DRUM.....	1
102	19862-G1						LUG BOLT, 1/2 - 20 .....	4
103								
104								
105	21830-G1						OUTER BRAKE DRUM WASHER .....	2
106	00518-G8						SLOTTED NUT, 3/4 - 16.....	2
107	10387-G1						COTTER PIN, 1/8" X 1 1/2" LG.....	2
108	74175-G01						SPINDLE CAP .....	2
109								
110	72036-G02						BRAKE CABLE BRACKET (PASSENGER SIDE) .....	1
111	72237-G02						BRAKE CABLE BRACKET (DRIVER SIDE).....	1



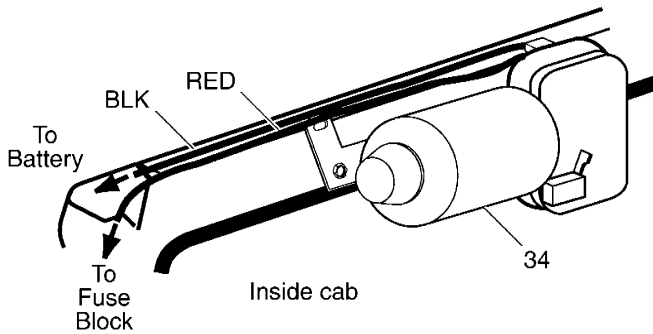
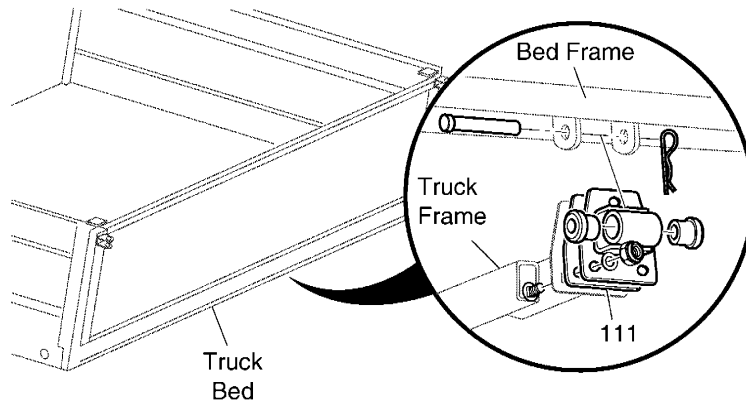
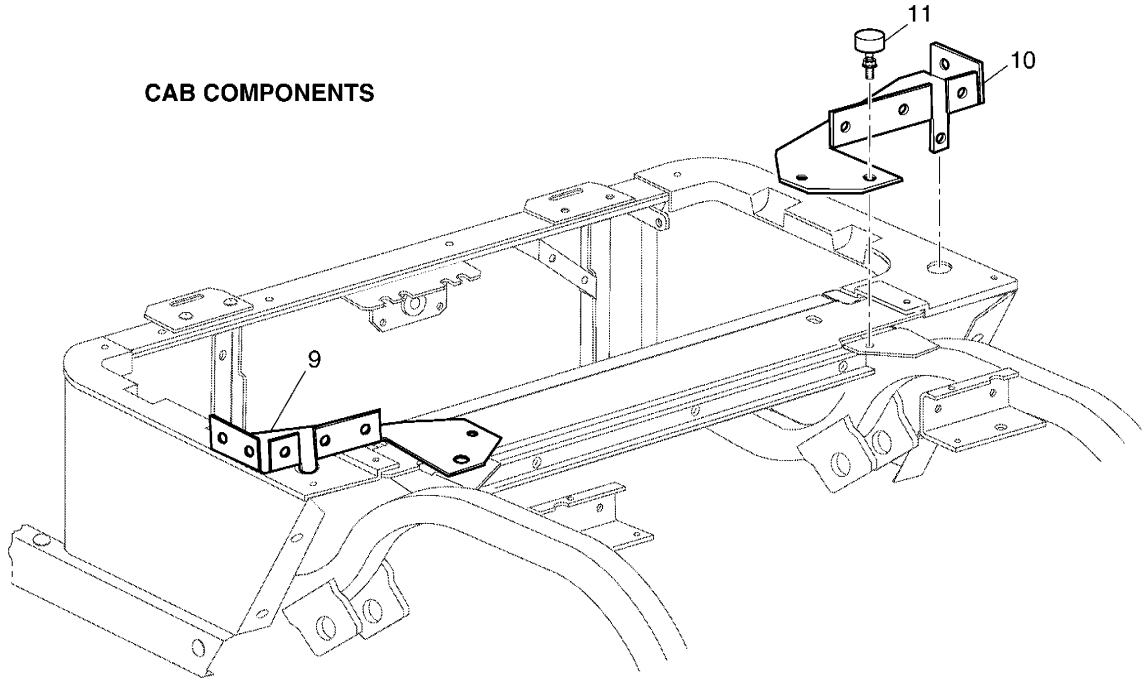


**CAB COMPONENTS**

105 - Includes Items 2 - 3, 7 - 42, 106 - 108



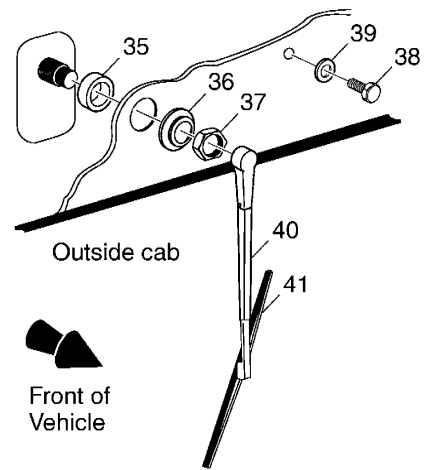
CAB COMPONENTS

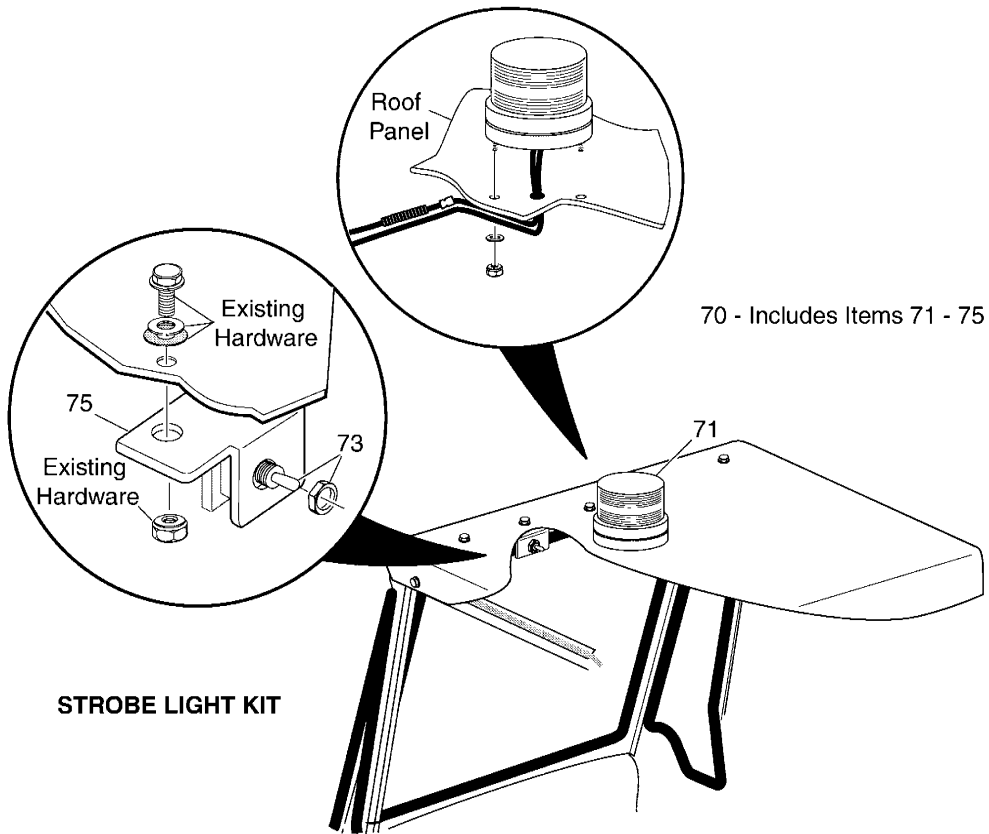
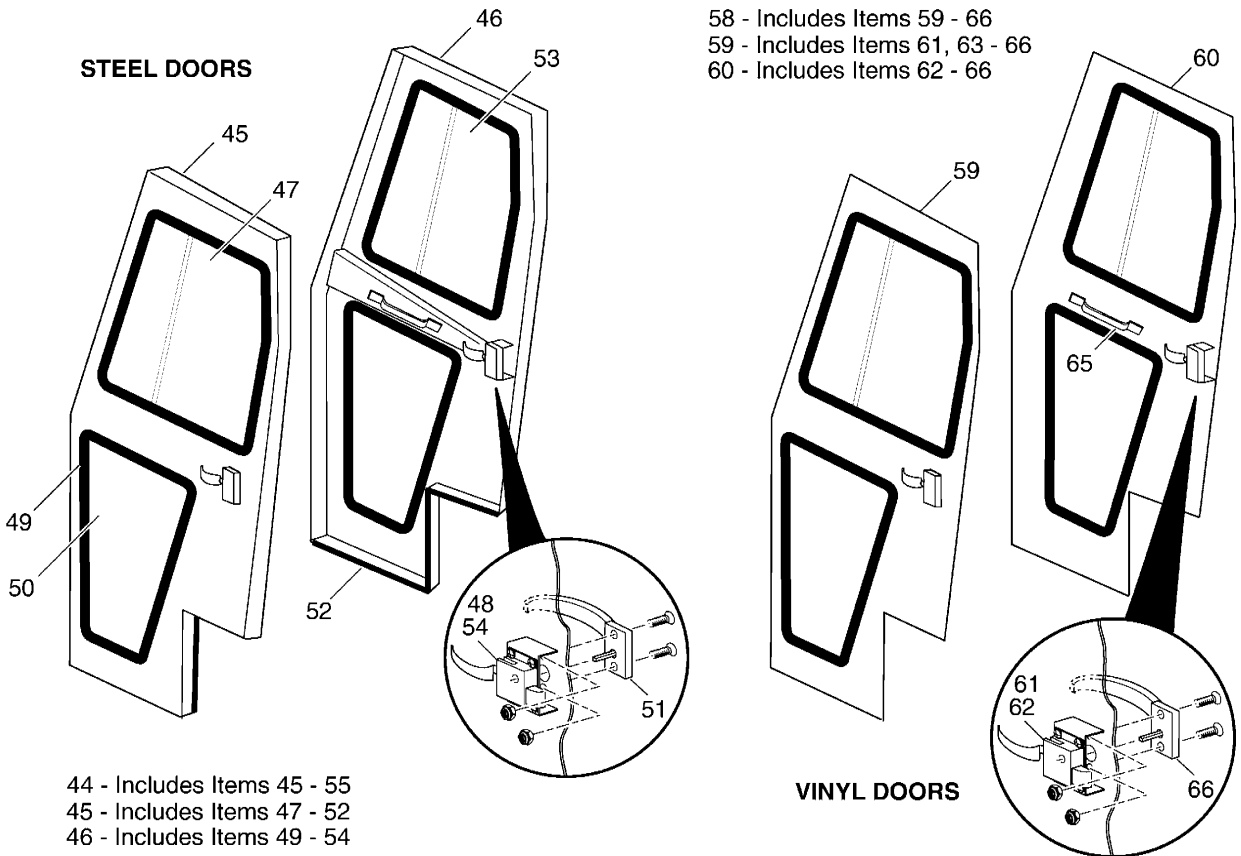


WINDSHIELD WIPER COMPONENTS

33 - Includes Items 34 - 42

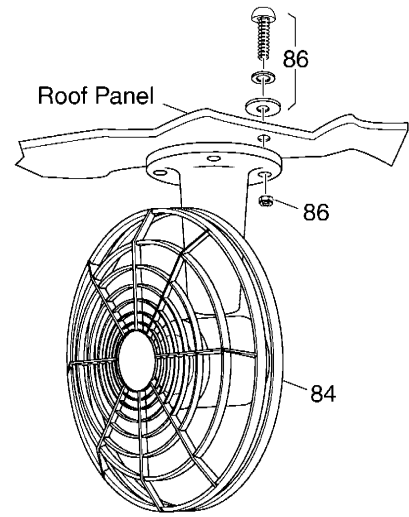
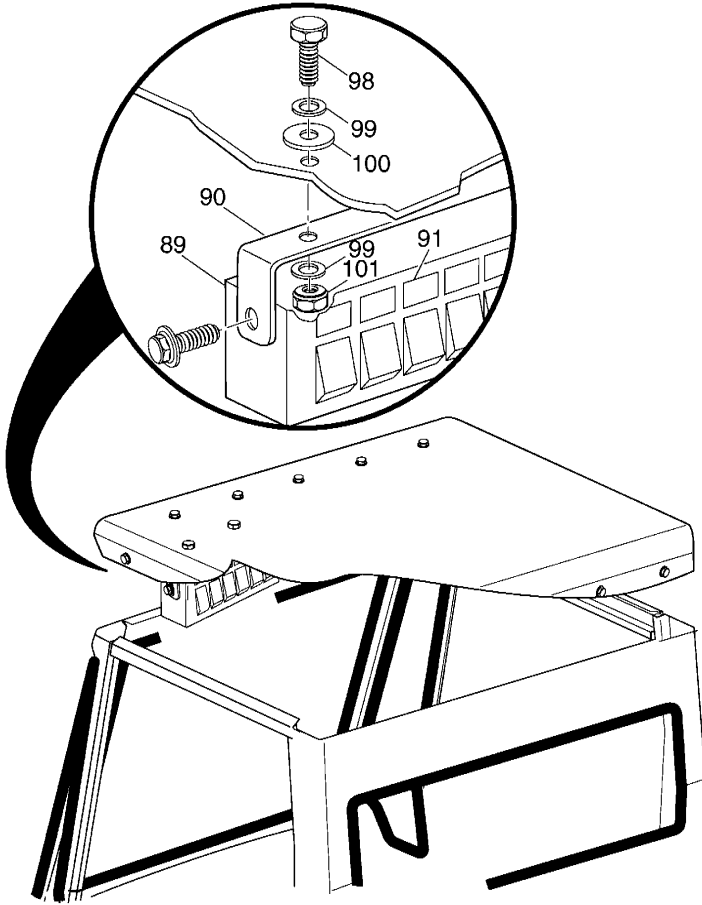
34 - Includes Items 35 - 39





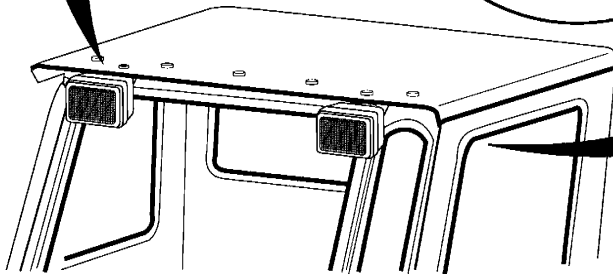
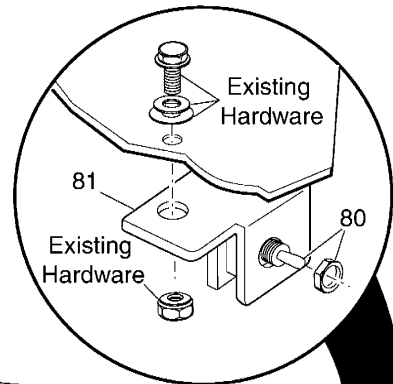
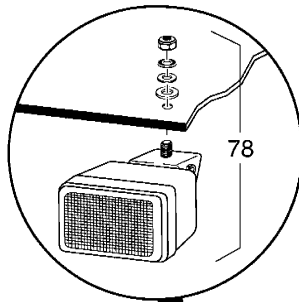
**SWITCH PANEL KIT**

88 - Includes Items 89 - 103



**DEFROSTER / COOLING FAN KIT**

83 - Includes Items 84 - 86



**WORKLIGHT KIT**

77 - Includes Items 78 - 81

**CAB (EARLY PRODUCTION)****Gasoline Vehicle**

Replacement parts may be obtained from Curtis Tractor Cab Inc., 111 Higgins Street, Worcester, MA 01606.  
 Telephone (508) 853-2200, or FAX (508) 854-3377.

\* Indicates a component that is not available as an individual part.

ITEM	PART NO.	1 2 3 4 5	DESCRIPTION	QTY.
1	*		STEEL CAB (WITHOUT DOORS) .....	1
2	74228-G0*A		ROOF PANEL .....	1
3	74228-G0*B		REAR PANEL .....	1
4	74228-G0*C		WINDSHIELD PANEL .....	1
5	74228-G0*D		FRONT CORNER PANEL (PASSENGER SIDE) .....	1
6	74228-G0*E		FRONT CORNER PANEL (DRIVER SIDE).....	1
7	74228-G0*F		RECEIVER (DRIVER SIDE).....	1
8	74228-G0*G		RECEIVER (PASSENGER SIDE) .....	1
9	74228-G0*H		LOWER MOUNTING BRACKET (DRIVER SIDE) .....	1
10	74228-G0*I		LOWER MOUNTING BRACKET (PASSENGER SIDE).....	1
11	70113-G01		ADJUSTABLE BUMPER .....	2
12	1P004A		FRONT PANEL COWL SEAL GASKET (85" LG) .....	1
13	1P004D		ROOF TRIM (50").....	1
14				
15	6E03		FRONT WINDSHIELD MOUNTING GASKET .....	1
16	6E03A		BOLT, 3/8 - 16 X 7/8" LG .....	44
17	6E03B		LOCK NUT, 3/8 - 16 .....	44
18	6E03C		WASHER, 3/8" .....	44
19	6E03D		NYLON WASHER, 3/8" .....	26
20	6E03E		FRONT PANEL WINDOW.....	1
21	6E03H		FRONT CORNER PANEL MOUNTING GASKET .....	2
22	6E03J		REAR PANEL WINDOW MOUNTING GASKET .....	1
23	6E03S		ALLEN BUTTON HEAD BOLT .....	4
24				
25	6E03U		BOLT, 1/4 - 20 X 1 1/2" LG .....	4
26	6E03V		NYLON SPACER, 1/4" .....	4
27	6E03W		WASHER, 5/16" .....	4
28				
29	6E05A		FRONT CORNER PANEL WINDOW (PASSENGER SIDE) .....	1
30	6E05B		FRONT CORNER PANEL WINDOW (DRIVER SIDE).....	1

**Gasoline Vehicle****CAB (EARLY PRODUCTION)**

Replacement parts may be obtained from Curtis Tractor Cab Inc., 111 Higgins Street, Worcester, MA 01606.  
Telephone (508) 853-2200, or FAX (508) 854-3377.

\* Indicates a component that is not available as an individual part.

ITEM	PART NO.	1	2	3	4	5	DESCRIPTION	QTY.
31	6E05C						REAR PANEL WINDOW.....	1
32								
33	74244-G01						WINDSHIELD WIPER KIT (INCLUDES ITEMS 34 - 42) .....	1
34	9PWM85						WIPER MOTOR (INCLUDES ITEMS 35 - 39).....	1
35	*						SPACER.....	1
36	*						SHAFT COVER (SEAL) .....	1
37	*						NUT .....	1
38	*						BOLT .....	1
39	*						WASHER.....	1
40	9PWA						WIPER ARM.....	1
41	9PWB						WINDSHIELD WIPER BLADE.....	1
42	9E003						ELECTRICAL HARDWARE KIT (NOT ILLUSTRATED) .....	1
43								
44	74301-G0*						STEEL DOOR KIT (INCLUDES ITEMS 45 - 55).....	1
45	74301-G0*A						STEEL DOOR (DRIVER SIDE) (INCLUDES ITEMS 47 - 52) .....	1
46	74301-G0*B						STEEL DOOR (PASSENGER SIDE) (INCLUDES ITEMS 49 - 54).....	1
47	6E05D						SLIDING DOOR WINDOW ASSEMBLY (DRIVER SIDE).....	1
48	9DHSL						INSIDE DOOR LATCH (DRIVER SIDE).....	1
49	6E03P						LOWER DOOR WINDOW MOUNTING GASKET .....	1
50	6E05F						LOWER DOOR WINDOW .....	1
51	9DHOS1						OUTSIDE DOOR HANDLE (KEY LOCKING) .....	2
52	1P004B						LOWER DOOR SEAL GASKET (43" LG) .....	1
53	6E05E						SLIDING DOOR WINDOW ASSEMBLY (PASSENGER SIDE) .....	1
54	9DHSLR						INSIDE DOOR LATCH (PASSENGER SIDE) .....	1
55	1P004C						DOOR SEAL GASKET (123" LG).....	2
56	9P001A						REPLACEMENT DOOR HINGE KIT (NOT ILLUSTRATED) .....	A/R
57								
58	74242-G01						VINYL DOOR KIT (INCLUDES ITEMS 59 - 66).....	1
59	9DVK-L						VINYL DOOR (DRIVER SIDE) (INCLUDES ITEMS 61, 63 - 66) .....	1
60	9DVK-R						VINYL DOOR (PASSENGER SIDE) (INCLUDES ITEMS 62 - 66).....	1

Replacement parts may be obtained from Curtis Tractor Cab Inc., 111 Higgins Street, Worcester, MA 01606. Telephone (508) 853-2200, or FAX (508) 854-3377.

\* Indicates a component that is not available as an individual part.

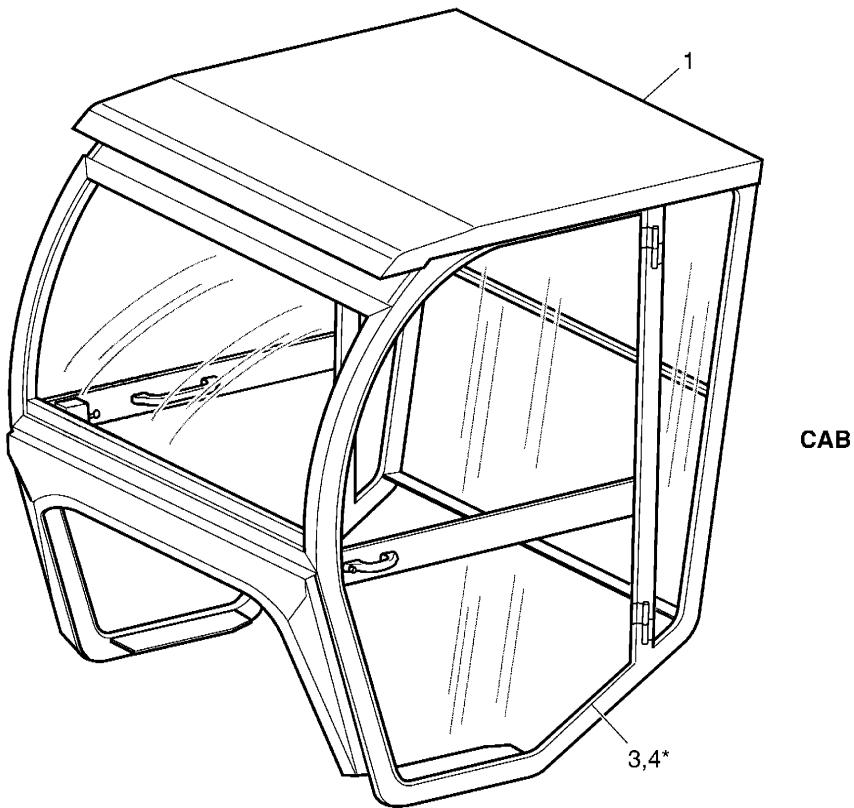
ITEM	PART NO.	1 2 3 4 5	DESCRIPTION	QTY.
61	9DHSL		INSIDE DOOR LATCH (DRIVER SIDE).....	1
62	9DHSLR		INSIDE DOOR LATCH (PASSENGER SIDE) .....	1
63	9DCK		DOOR CHECK (NOT ILLUSTRATED) .....	1
64	9DSTK1		DOOR STRIKER (NOT ILLUSTRATED).....	1
65	9DGH1		DOOR GRAB HANDLE .....	1
66	9DHOS1		OUTSIDE DOOR HANDLE (KEY LOCKING) .....	1
67	9PSSH		REPLACEMENT DOOR HINGE (DRIVER SIDE) (NOT ILLUSTRATED).....	1
68	9PSSHR		REPLACEMENT DOOR HINGE (PASSENGER SIDE) (NOT ILLUSTRATED) ..	1
69				
70	74245-G01		STROBE LIGHT KIT (INCLUDES ITEMS 71 - 75).....	1
71	9PSLRL		STROBE LENS.....	1
72	9E001		ELECTRICAL HARDWARE KIT (NOT ILLUSTRATED) .....	1
73	9E002		TOGGLE SWITCH.....	1
74	9PSLRB		REPLACEMENT BULB (NOT ILLUSTRATED) .....	1
75	9PB001		BRACKET .....	1
76				
77	74247-G01		WORK LIGHT KIT (INCLUDES ITEMS 78 - 81) .....	1
78	9LW1A		WORK LIGHT (INCLUDES HARDWARE).....	2
79	9E001		ELECTRICAL HARDWARE KIT (NOT ILLUSTRATED) .....	1
80	9E002		TOGGLE SWITCH.....	1
81	9PB001		BRACKET .....	1
82				
83	74248-G01		DEFROSTER / COOLING FAN KIT (INCLUDES ITEMS 84 - 86) .....	1
84	9PDF		FAN.....	1
85	9E001		ELECTRICAL HARDWARE KIT (NOT ILLUSTRATED) .....	1
86	9PFHK		HARDWARE KIT .....	1
87				
88	74250-G01		SWITCH PANEL KIT (INCLUDES ITEMS 89 - 103) .....	1
89	9PSF1-001		SWITCH PANEL .....	1
90	9PSF1-002		MOUNTING BRACKET AND HARDWARE .....	1

Replacement parts may be obtained from Curtis Tractor Cab Inc., 111 Higgins Street, Worcester, MA 01606. Telephone (508) 853-2200, or FAX (508) 854-3377.

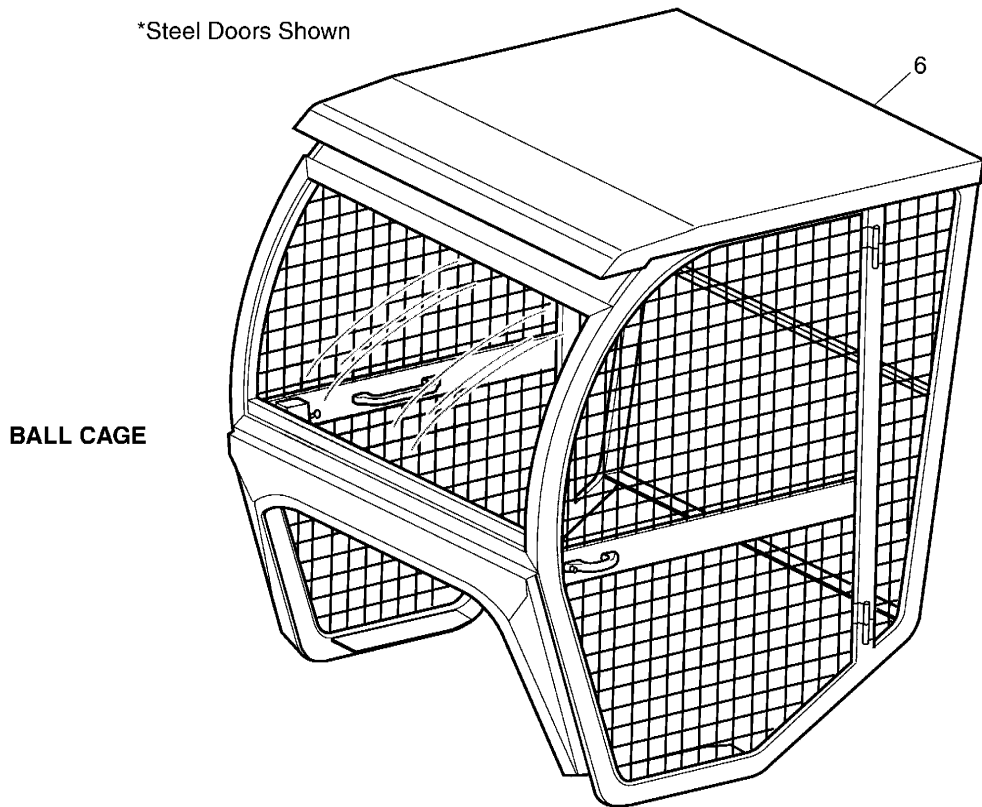
\* Indicates a component that is not available as an individual part.

ITEM	PART NO.	1	2	3	4	5	DESCRIPTION	QTY.
91	9PSF1-003						ADHESIVE LABELS .....	1
92	9PSF1-004						3 AMP FUSE (NOT ILLUSTRATED) .....	2
93	9PSF1-005						5 AMP FUSE (NOT ILLUSTRATED) .....	3
94	9PSF1-006						7.5 AMP FUSE (NOT ILLUSTRATED) .....	1
95	9PSF1-007						FLEX LOOM, 5/8" X 10 FT LG (NOT ILLUSTRATED) .....	1
96	9PSF1-008						4-WAY BASE TIE (NOT ILLUSTRATED) .....	6
97	9PSF1-009						WIRE TIE (NOT ILLUSTRATED).....	14
98	9PSF1-010						BOLT, 1/4 - 20 X 7/8" LG .....	2
99	9PSF1-011						WASHER, 1/4" .....	4
100	9PSF1-012						NYLON WASHER, 1/4" .....	2
101	9PSF1-013						LOCK NUT, 1/4 - 20.....	2
102	9PSF1-014						10 GA WIRE (RED 8") (NOT ILLUSTRATED).....	1
103	9PSF1-015						10 GA WIRE (BLACK 8") (NOT ILLUSTRATED).....	1
104								
105	*						STEEL CAB (WITHOUT DOORS) (LX / SE) .....	1
106	74227-G0*C						WINDSHIELD PANEL.....	1
107	74227-G0*D						FRONT CORNER PANEL (PASSENGER SIDE) .....	1
108	74227-G0*E						FRONT CORNER PANEL (DRIVER SIDE).....	1
109								
110								
111	6E03T						BED SPACER .....	2





\*Steel Doors Shown

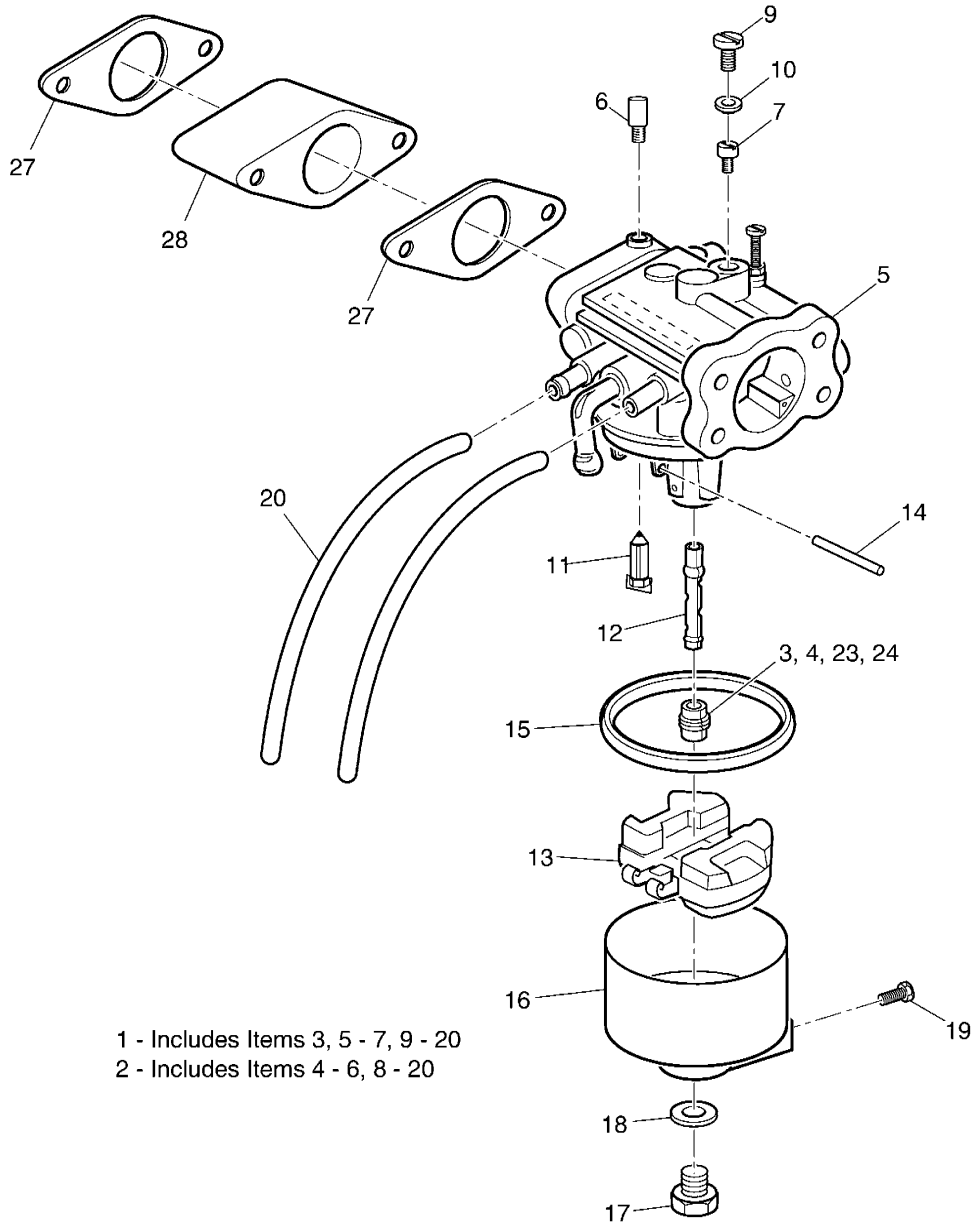


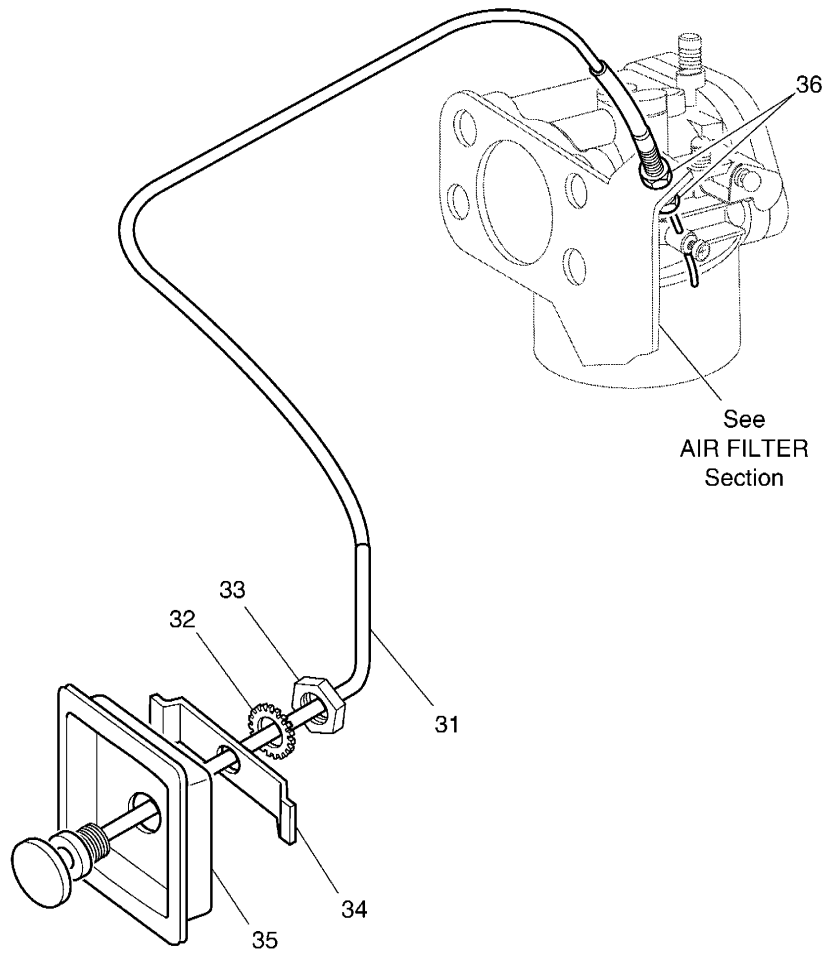
For Cab Accessories, See ACCESSORIES LISTING in Appendix B

Replacement parts may be obtained from Curtis Tractor Cab Inc., 111 Higgins Street, Worcester, MA 01606. Telephone (508) 853-2200, or FAX (508) 854-3377.

\* Indicates a component that is not available as an individual part.

ITEM	PART NO.	1 2 3 4 5	DESCRIPTION	QTY.
1	75854-G**		STEEL CAB (WITHOUT DOORS) REPACEMENT PARTS AND ACCESSORIES MAY BE OBTAINED FROM CURTIS CAB, INC. ....	1
2				
3	75855-G01		VINYL DOOR KIT .....	1
4	75856-G**		STEEL DOOR KIT .....	1
5				
6	75853-G01		BALL CAGE .....	1





# CARBURETOR AND CHOKE

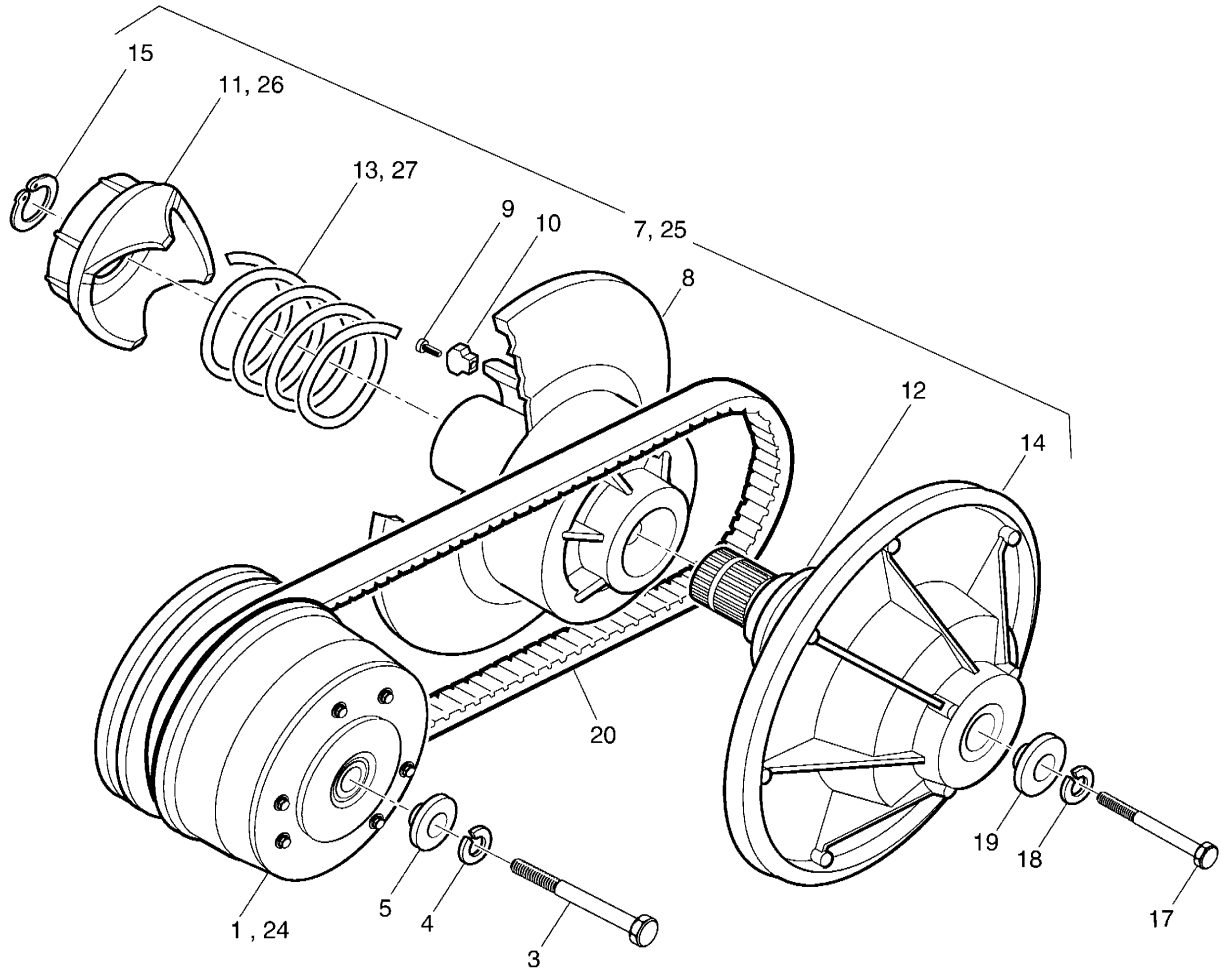
# Gasoline Vehicle

When ordering parts, please specify the model and serial number of the product.  
 \* Indicates a component that is not available as an individual part.  
 G\*\* Indicates consult Customer Service Department for additional information.

ITEM	PART NO.	1 2 3 4 5	DESCRIPTION	QTY.
1	72558-G01		CARBURETOR ASSEMBLY (FOR FUJI ENGINE P/N EH35CPG5032) (INCLUDES ITEMS 3, 5 - 7, 9 - 20) .....	1
2	72558-G05		CARBURETOR ASSEMBLY (FOR FUJI ENGINE P/N EH35CPG5033) (INCLUDES ITEMS 4 - 7, 8 - 20) .....	1
3	26646-G09		MAIN JET (#92).....	1
4	26646-G07		MAIN JET (#90).....	1
5	*		CARBURETOR BODY .....	1
6	*		PILOT SCREW.....	1
7	26649-G05		PILOT JET (#46) .....	1
8				
9	26841-G01		PLUG.....	1
10	72306-G01		GASKET .....	1
11	72578-G01		NEEDLE VALVE .....	1
12	*		MAIN NOZZLE .....	1
13	26648-G01		FLOAT .....	1
14	26840-G01		FLOAT PIN .....	1
15	26843-G01		FLOAT BOWL GASKET .....	1
16	26844-G01		FLOAT CHAMBER .....	1
17	26839-G01		BOWL SCREW.....	1
18	26838-G01		BOWL GASKET .....	1
19	*		DRAIN SCREW .....	1
20	26650-G01		VENT TUBE .....	2
21				
22				
23	26646-G01		MAIN JET #88 (FOR ELEVATIONS OF 3000 FT - 6000 FT) .....	1
24	26646-G08		MAIN JET #86 (FOR ELEVATIONS OF 6000 FT - 10000 FT) .....	1
25				
26				
27	26726-G01		CARBURETOR MOUNT GASKET .....	2
28	72311-G01		CARBURETOR INSULATOR.....	1
29				

When ordering parts, please specify the model and serial number of the product.  
 \* Indicates a component that is not available as an individual part.  
 G\*\* Indicates consult Customer Service Department for additional information.

ITEM	PART NO.	1 2 3 4 5	DESCRIPTION	QTY.
30				
31	72401-G02		CHOKE CABLE (WITH NUTS) .....	1
32	00568-G4		LOCK WASHER, 9/16".....	1
33	00545-G4		NUT, 9/16 - 18 .....	1
34	72155-G01		RETAINER .....	1
35	72154-G01		CHOKE CABLE ADAPTER.....	1
36	00544-G4		JAM NUT, 5/16 - 24.....	2

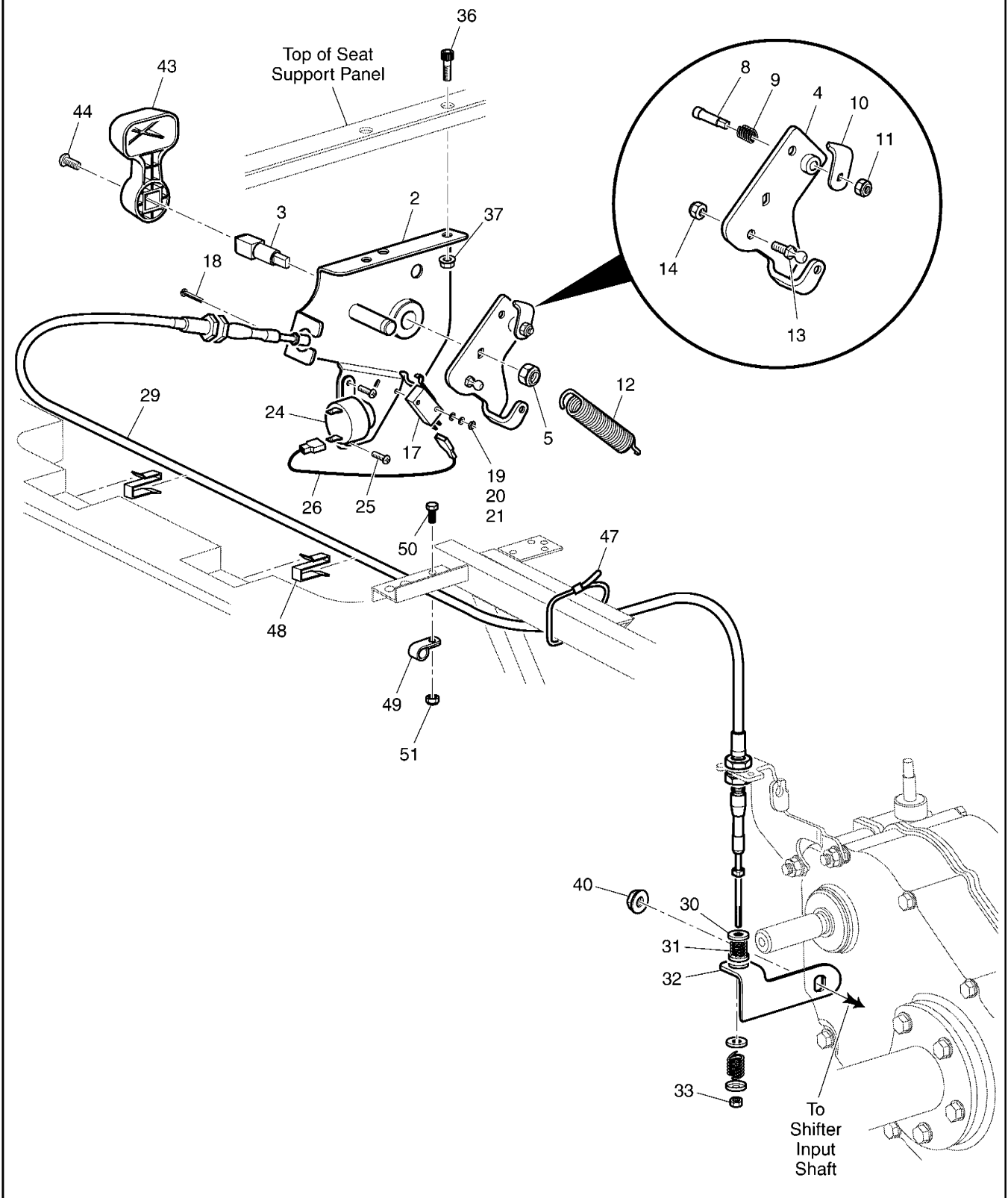


When ordering parts, please specify the model and serial number of the product.  
 \* Indicates a component that is not available as an individual part.  
 G\*\* Indicates consult Customer Service Department for additional information.

ITEM	PART NO.	1 2 3 4 5	DESCRIPTION	QTY.
1	26952-G01		DRIVE CLUTCH .....	1
2				
3	00473-G9		BOLT, 7/16 - 20 X 6 1/2" LG.....	1
4	00566-G2		LOCK WASHER, 7/16" .....	1
5	25757-G1		PILOT WASHER .....	1
6				
7	26301-G02		DRIVEN CLUTCH ASSEMBLY (INCLUDES ITEMS 8 - 15) .....	1
8	*		MOVABLE SHEAVE (INCLUDES ITEMS 9 -10) .....	1
9	00979-G01		SCREW, #10 - 24 X 7/8" LG .....	3
10	26479-G01		RAMP BUTTON .....	3
11	*		CAM.....	1
12	24600-G1		SPACER .....	1
13	26304-G01		COMPRESSION SPRING .....	1
14	*		SHEAVE AND POST .....	1
15	27270-G01		HEAVY DUTY RETAINING RING.....	1
16				
17	00441-G8		BOLT, 5/16 - 18 X 4" LG.....	1
18	00565-G8		LOCK WASHER, 5/16" .....	4
19	25756-G1		RETAINING WASHER .....	1
20	72328-G01		DRIVE BELT (SEVERE DUTY).....	1
21				
22				
23				
24	26952-G01		DRIVE CLUTCH (HIGH ALTITUDE) .....	1
25	25632-G03		DRIVEN CLUTCH (HIGH ALTITUDE) (INCLUDES ITEMS 8, 12, 14, 15, 26, 27).....	1
26	*		CAM.....	1
27	25612-G1		COMPRESSION SPRING .....	1



1 - Includes Items 2 - 33



When ordering parts, please specify the model and serial number of the product.

\* Indicates a component that is not available as an individual part.

G\*\* Indicates consult Customer Service Department for additional information.

ITEM	PART NO.	1 2 3 4 5	DESCRIPTION	QTY.
1	72721-G03		DIRECTION SELECTOR ASSEMBLY (INCLUDES ITEMS 2 - 33) .....	1
2	74456-G01		DIRECTION SELECTOR BRACKET .....	1
3	70233-G01		DIRECTION SELECTOR SHAFT .....	1
4	72738-G01		DIRECTION SELECTOR CAM .....	1
5	14390-G1		LOCK NUT, 3/8 - 24.....	1
6				
7				
8	72724-G01		NEUTRAL LOCK PIN.....	1
9	72733-G01		COMPRESSION SPRING, 3/8" X 5/8" LG.....	1
10	72729-G01		NEUTRAL LOCK LATCH .....	1
11	00734-G2		LOCK NUT, 1/4 - 28.....	1
12	28574-G01		EXTENSION SPRING.....	1
13	72732-G01		BALL STUD.....	1
14	00734-G5		LOCK NUT, #10 - 32.....	1
15				
16				
17	72736-G01		MICRO SWITCH .....	1
18	01062-G01		SCREW, #4 - 40 X 1" LG.....	2
19	00559-G1		WASHER, #4.....	2
20	00565-G1		LOCK WASHER, #4 .....	2
21	00526-G2		NUT, #4 - 40 .....	2
22				
23				
24	73290-G03		REVERSE WARNING BUZZER.....	1
25	01063-G01		SCREW, #6 - 32 X 3/8" LG.....	2
26	25978-G345		18 GA WIRE (RED 7").....	1
27				
28				
29	72734-G03		SHIFTER CABLE.....	1
30	25727-G01		CUP WASHER .....	4

**DIRECTION SELECTOR - SINGLE CABLE****Gasoline Vehicle**

When ordering parts, please specify the model and serial number of the product.

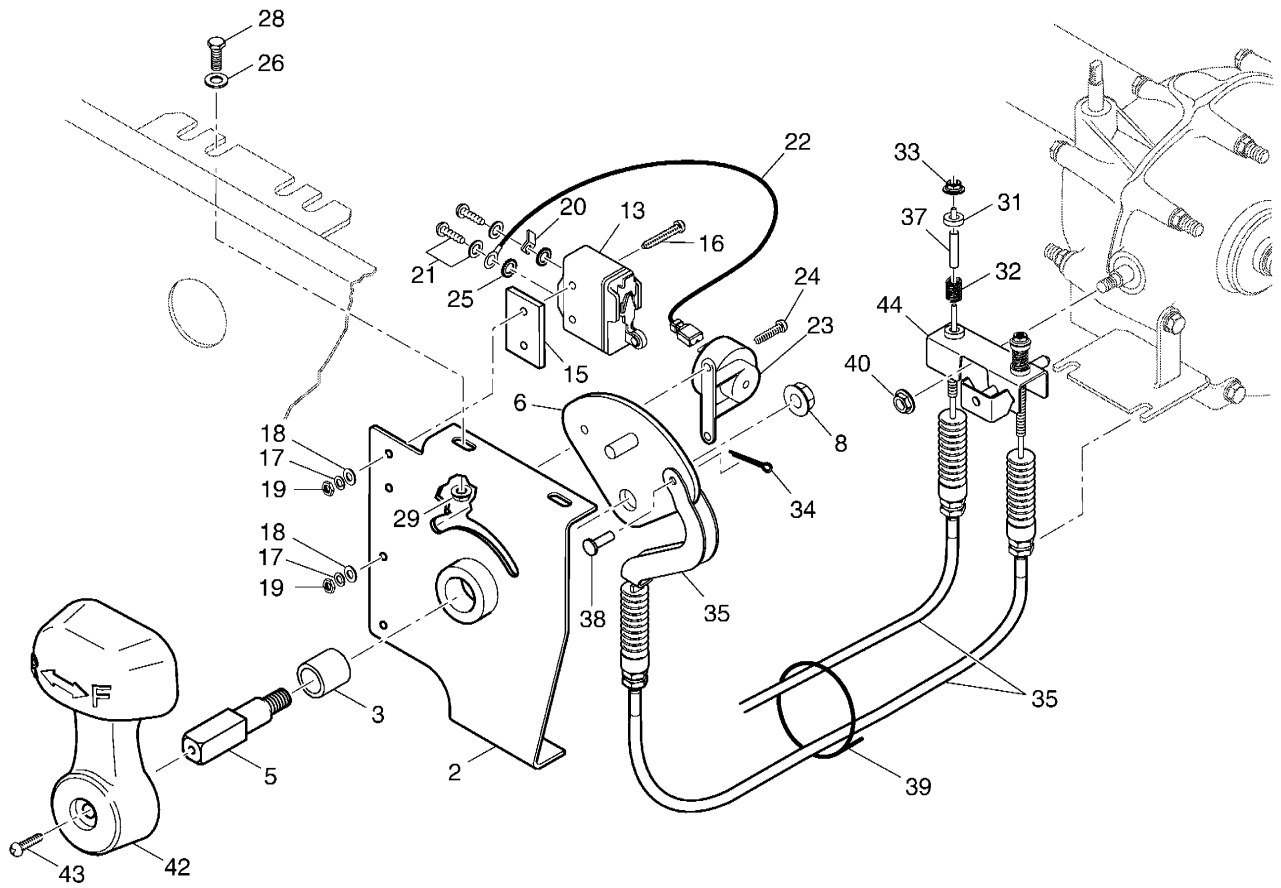
\* Indicates a component that is not available as an individual part.

G\*\* Indicates consult Customer Service Department for additional information.

ITEM	PART NO.	1 2 3 4 5	DESCRIPTION	QTY.
31	72735-G01		COMPRESSION SPRING, 19/32" X 1" LG .....	2
32	74455-G01		SHIFTER ARM .....	1
33	00734-G5		LOCK NUT, #10 - 32.....	1
34				
35				
36	70227-G01		SCREW, 1/4 - 20 X 7/8" LG .....	2
37	11027-G2		LOCK NUT, 1/4 - 20 .....	2
38				
39				
40	26830-G01		LOCK NUT, M8 X 1.25 MM .....	1
41				
42				
43	71205-G01		DIRECTION SELECTOR HANDLE.....	1
44	00740-G4		SCREW, #10 - 32 X 1/2" LG (STAINLESS STEEL) .....	1
45				
46				
47	31539-G1		WIRE TIE .....	1
48	01072-G01		CABLE CLIP .....	2
49	11845-G5		CLIP, 3/8" .....	1
50	00414-G6		BOLT, 1/4 - 20 X 3/4" LG.....	1
51	14390-G4		LOCK NUT, 1/4 - 20 .....	1



1 - Includes Items 2 - 29



When ordering parts, please specify the model and serial number of the product.

\* Indicates a component that is not available as an individual part.

G\*\* Indicates consult Customer Service Department for additional information.

ITEM	PART NO.	1 2 3 4 5	DESCRIPTION	QTY.
1	70594-G02		DIRECTION SELECTOR ASSEMBLY (INCLUDES ITEMS 2 - 29) .....	1
2	25684-G01		DIRECTION SELECTOR BRACKET .....	1
3	25664-G1		BUSHING .....	1
4				
5	27537-G01		DIRECTION SELECTOR SHAFT .....	1
6	25745-G01		DIRECTION SELECTOR CAM .....	1
7				
8	14390-G1		LOCK NUT, 3/8 - 24.....	1
9				
10				
11				
12				
13	10606-G1		MICRO SWITCH .....	1
14				
15	27151-G01		SPACER.....	1
16	00645-G2		SCREW, #6 - 32 X 1 1/4" LG.....	2
17	00565-G3		LOCK WASHER, #6.....	4
18	00559-G3		WASHER, #6.....	4
19	00525-G5		NUT, #6 - 32 .....	4
20	14628-G1		FASTON TAB .....	1
21	*		SCREW AND WASHER ASSEMBLY.....	2
22	25978-G234		18 GA WIRE (RED 6").....	1
23	73290-G03		REVERSE WARNING BUZZER.....	1
24	00138-G5		SCREW, #6 - 32 X 5/8" LG.....	2
25	00567-G3		LOCK WASHER, #6.....	2
26	00559-G7		WASHER, 1/4.....	2
27				
28	00414-G6		BOLT, 1/4 - 20 X 3/4" LG.....	2
29	11027-G2		LOCK NUT, 1/4 - 20.....	2
30				

**DIRECTION SELECTOR - DUAL CABLE****Gasoline Vehicle**

When ordering parts, please specify the model and serial number of the product.

\* Indicates a component that is not available as an individual part.

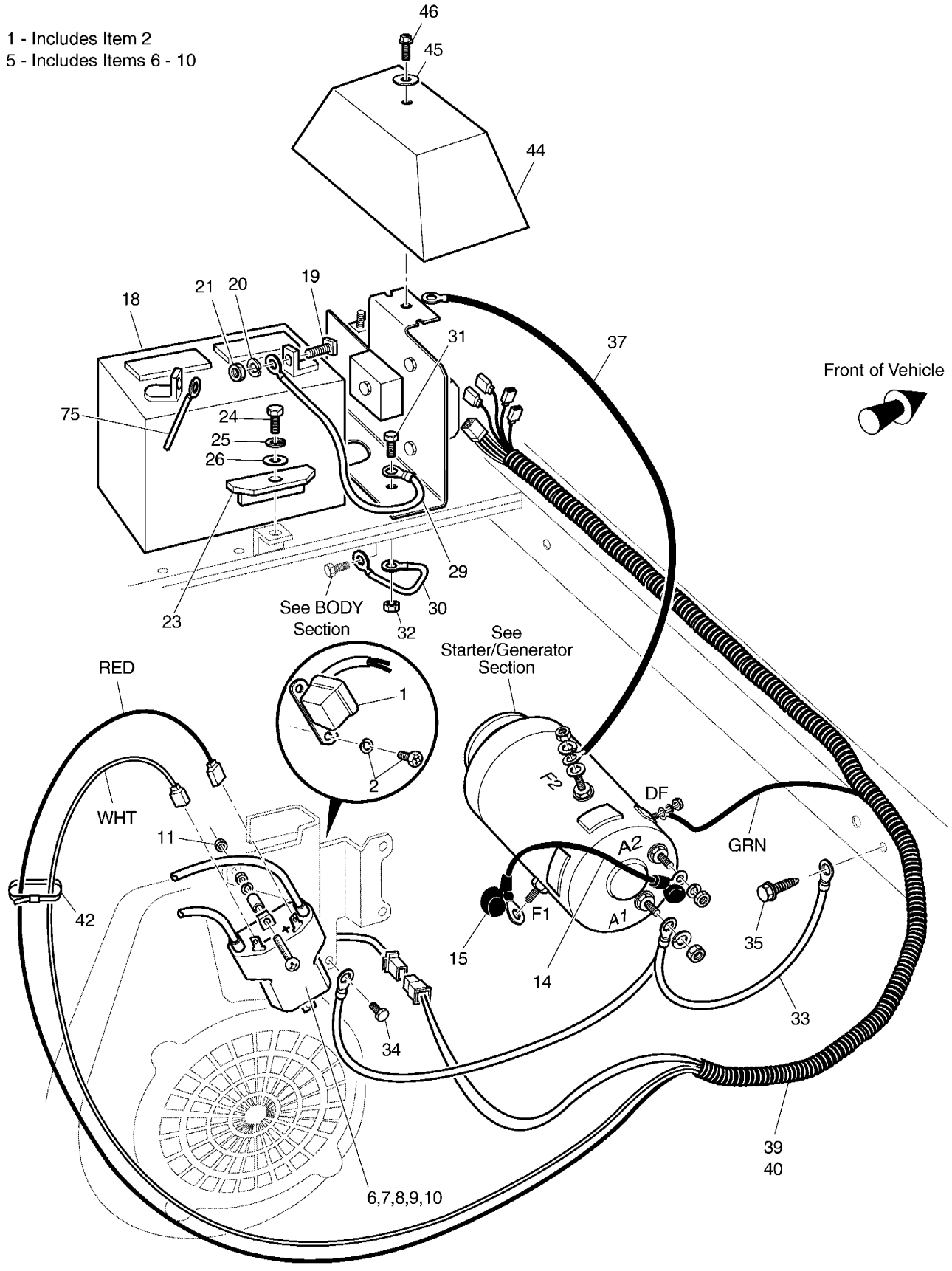
G\*\* Indicates consult Customer Service Department for additional information.

ITEM	PART NO.	1 2 3 4 5	DESCRIPTION	QTY.
31	25727-G01		CUP WASHER .....	4
32	27764-G01		SPRING .....	2
33	11098-G7		LOCK NUT, #10 - 24 .....	2
34	10387-G8		COTTER PIN, 1/16" X 3/4" LG.....	2
35	72341-G01		SHIFTER CONTROL CABLE.....	2
36				
37	23726-G5		SPACER.....	2
38	23176-G1		CLEVIS PIN, 5/16" X 1/2" LG.....	2
39	17618-G1		WIRE TIE .....	1
40	26830-G01		LOCK NUT, M8 X 1.25 MM .....	1
41				
42	71205-G01		DIRECTION SELECTOR HANDLE.....	1
43	00740-G4		SCREW, #10 - 32 X 1/2" LG (STAINLESS STEEL) .....	1
44	72619-G01		SHIFTER CONTROL PIVOT.....	1

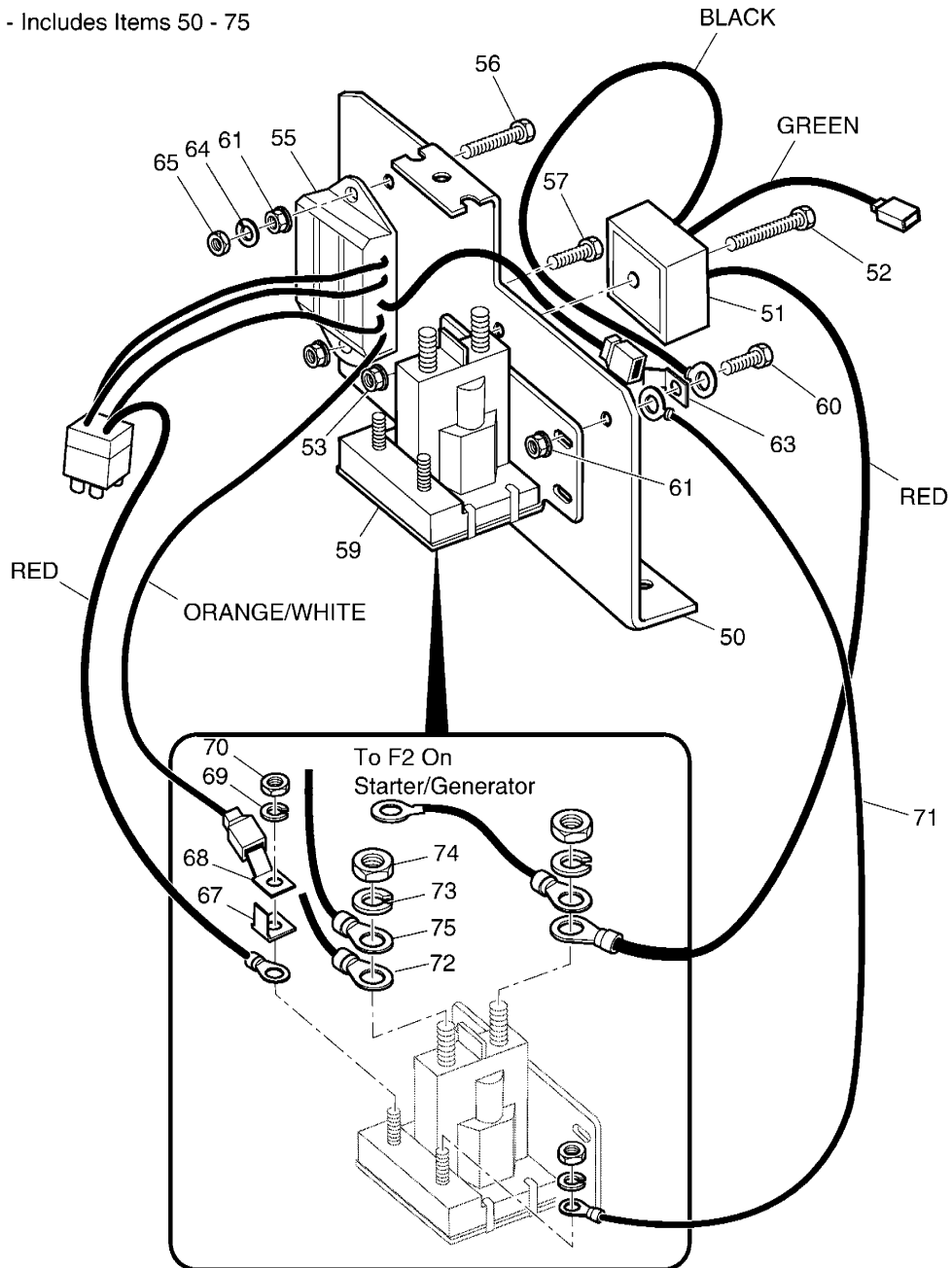


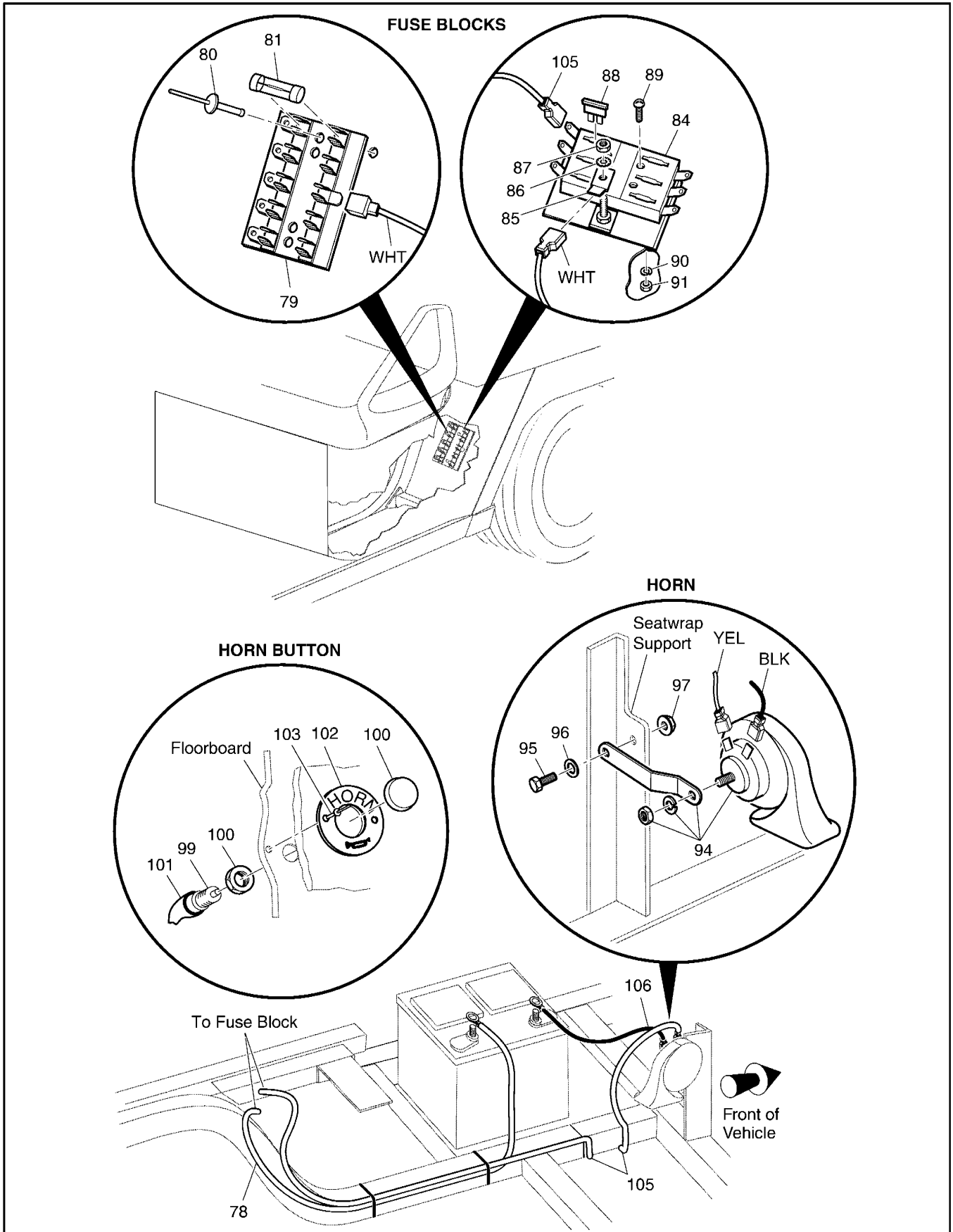


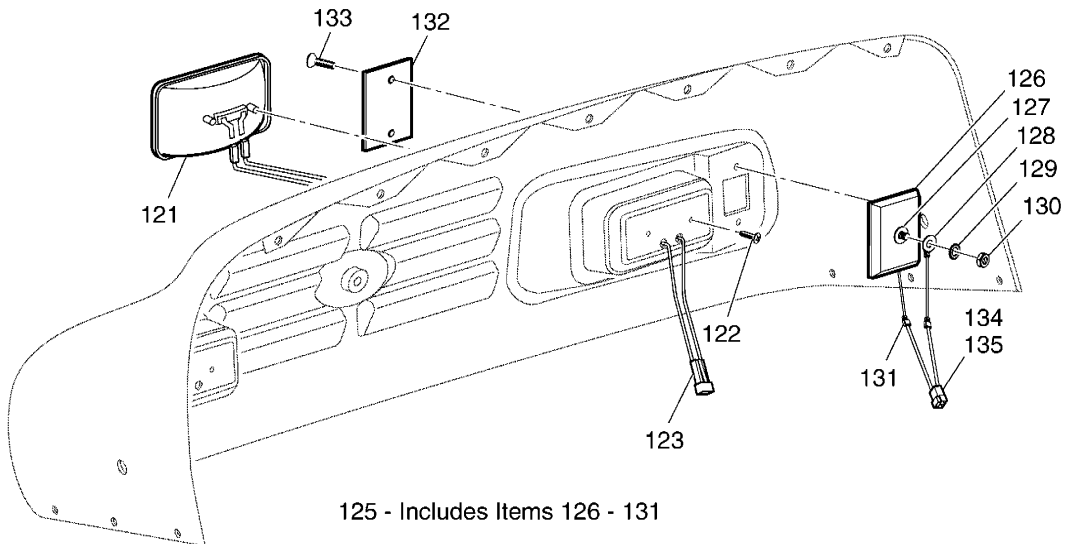
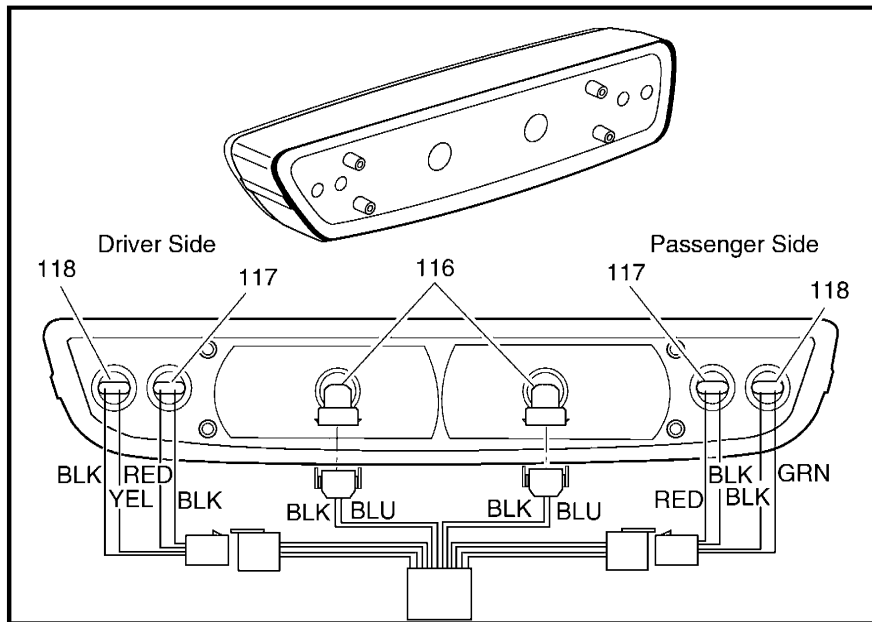
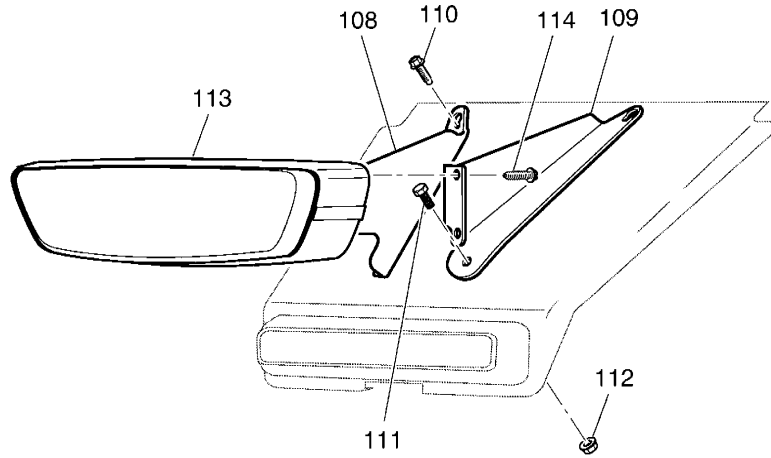
1 - Includes Item 2  
5 - Includes Items 6 - 10

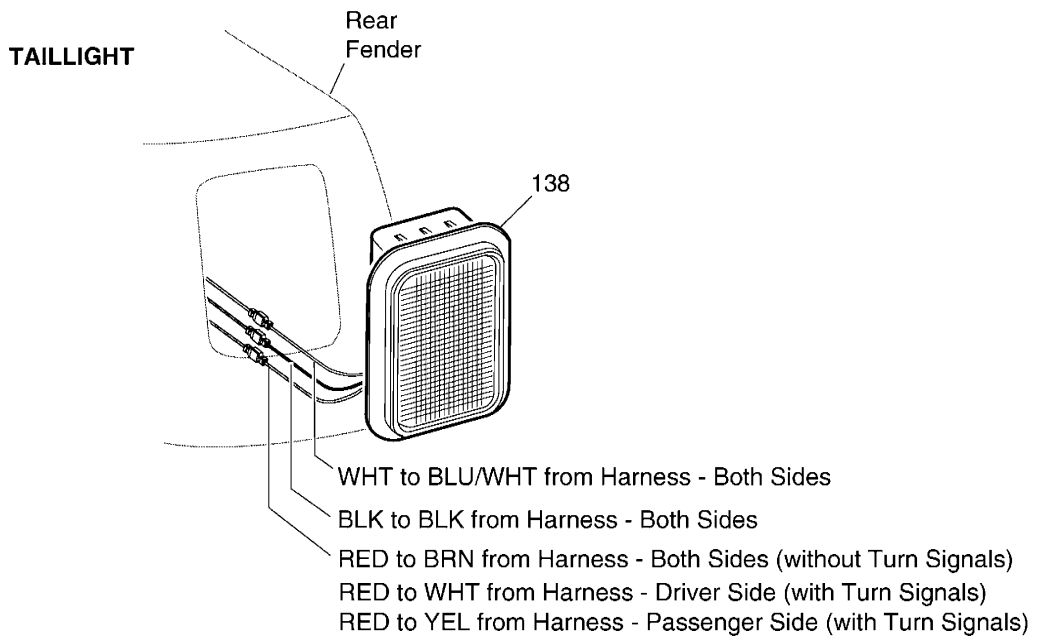


49 - Includes Items 50 - 75

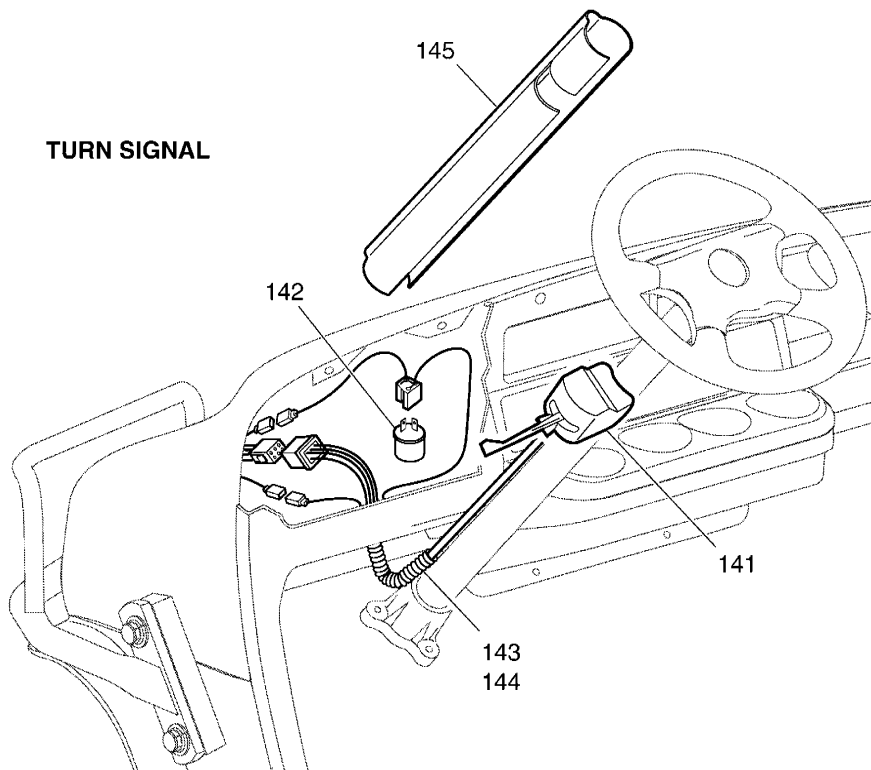




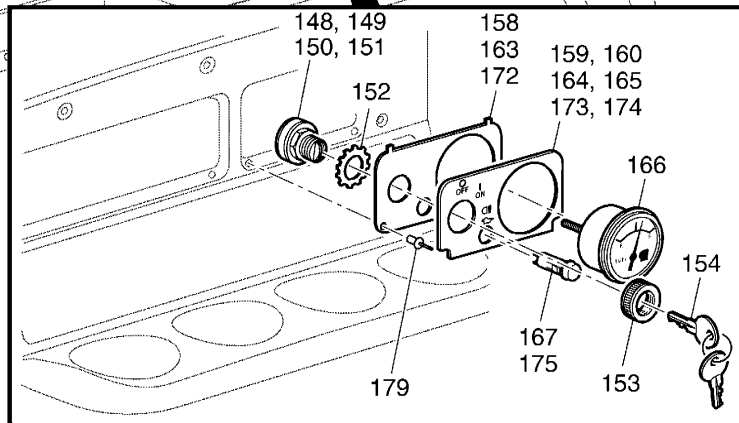
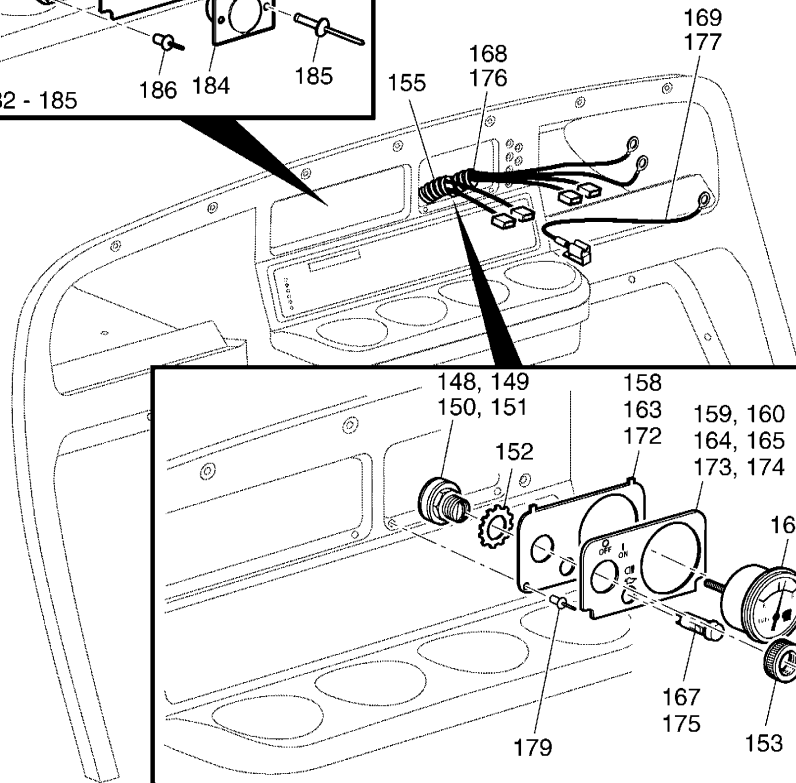
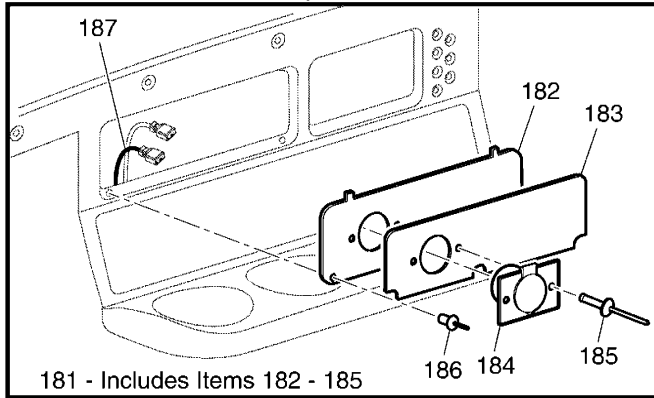




**TURN SIGNAL**



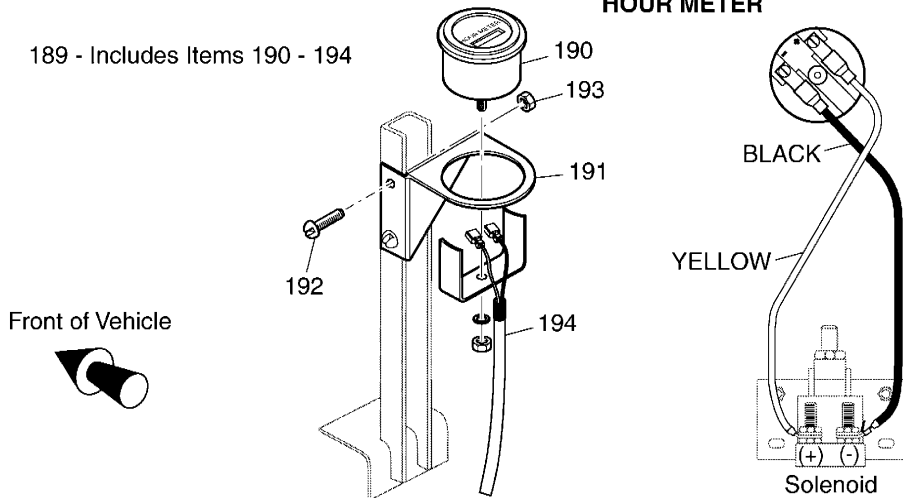
CONSOLE INSERT PLATE (WITH POWER OUTLET SHOWN)



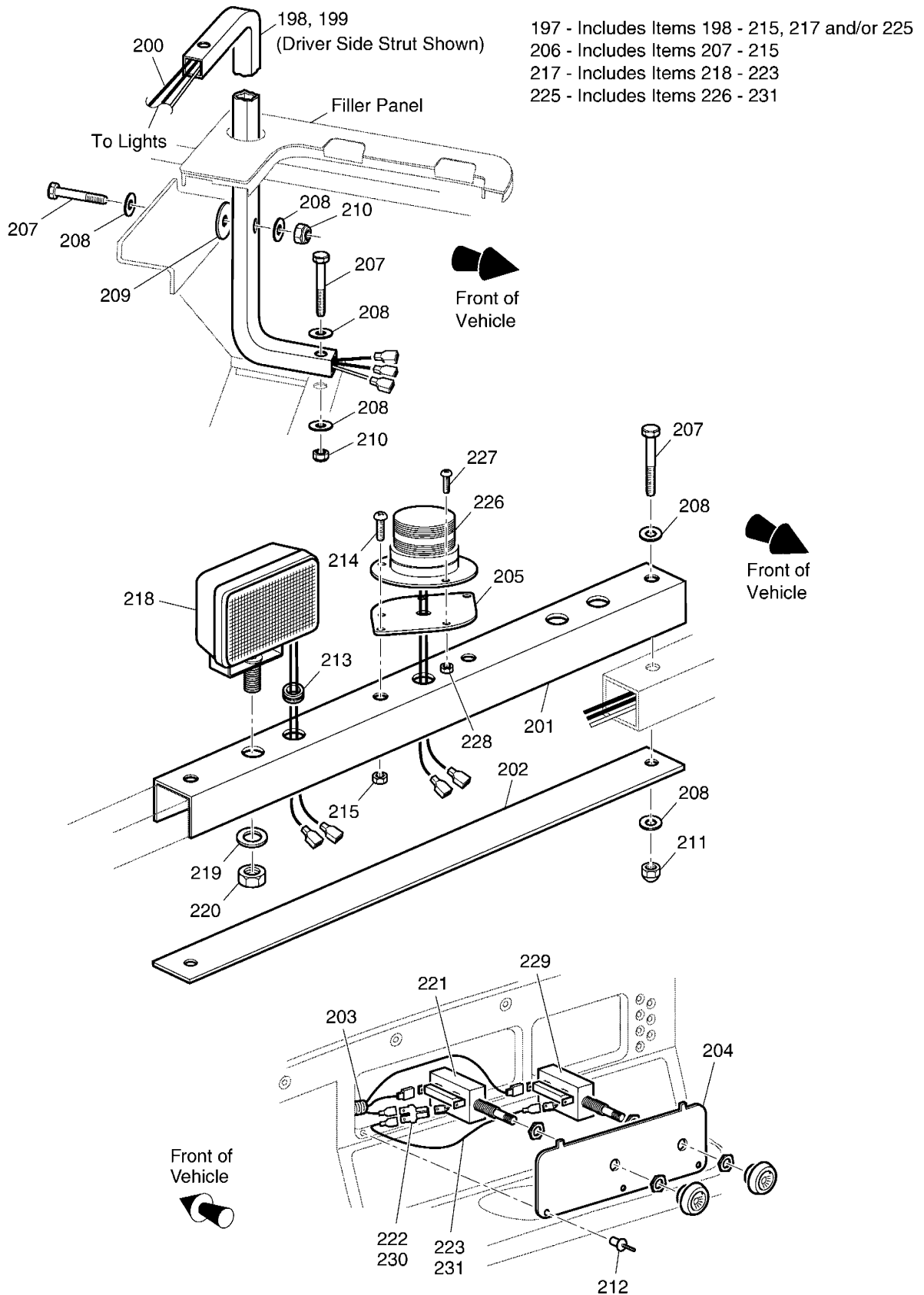
KEY SWITCH, INDICATOR LIGHT(S), AND FUEL GAUGE

189 - Includes Items 190 - 194

HOUR METER



## WORK AND STROBE LIGHTS



When ordering parts, please specify the model and serial number of the product.

\* Indicates a component that is not available as an individual part.

G\*\* Indicates consult Customer Service Department for additional information.

ITEM	PART NO.	1 2 3 4 5	DESCRIPTION	QTY.
1	26651-G02		IGNITION PICKUP ASSEMBLY (INCLUDES ITEM 2).....	1
2	26707-G01		BOLT AND WASHER ASSEMBLY, M5 X .8 X 10 MM LG.....	1
3				
4				
5	26652-G01		IGNITION COIL ASSEMBLY (INCLUDES ITEMS 6 - 10).....	1
6	*		IGNITION COIL.....	1
7	*		SPACER.....	1
8	*		LOCK WASHER.....	1
9	*		NUT.....	1
10	*		SCREW.....	1
11	13632-G1		NUT, M6 X 1.....	2
12				
13				
14	25887-G01		6 GA WIRE (BLACK 6", F1 - A2).....	1
15	25682-G1		TERMINAL COVER.....	3
16				
17				
18	24775-G*		BATTERY, 12V.....	1
19	00962-G1		BOLT, 5/16 - 18 X 1 1/4" LG.....	2
20	00993-G01		LOCK WASHER, 5/16" (SILICON BRONZE).....	2
21	00994-G01		NUT, 5/16 - 18 (SILICON BRONZE).....	2
22				
23	72101-G01		BATTERY HOLD DOWN.....	1
24	00438-G6		BOLT, 5/16 - 18 X 3/4" LG.....	1
25	00565-G8		LOCK WASHER, 5/16".....	1
26	00571-G2		WASHER, 5/16".....	1
27				
28				
29	28519-G01		BATTERY GROUND CABLE.....	1
30	25976-G19		14 GA WIRE (BLACK 6").....	1



**ELECTRICAL SYSTEM****Gasoline Vehicle**

When ordering parts, please specify the model and serial number of the product.

\* Indicates a component that is not available as an individual part.

G\*\* Indicates consult Customer Service Department for additional information.

ITEM	PART NO.	1 2 3 4 5	DESCRIPTION	QTY.
31	00438-G6		BOLT, 5/16 - 18 X 3/4" LG .....	2
32	11027-G1		LOCK NUT, 5/16 - 18 .....	2
33	28520-G01		ENGINE GROUND CABLE .....	1
34	26676-G01		FLANGED BOLT, M6 X 1 X 23 MM LG .....	1
35	00715-G2		BOLT, 5/16 - 18 X 13/16" LG .....	1
36				
37	25972-G58		6 GA WIRE (BLACK 26", F2 - SOL).....	1
38				
39	74519-G01		WIRE HARNESS (CONTROL) - SINGLE CABLE DIRECTION SELECTOR .....	1
40	70596-G01		WIRE HARNESS (CONTROL) - DUAL CABLE DIRECTION SELECTOR.....	1
41				
42	17618-G1		WIRE TIE .....	AR
43				
44	73049-G01		COVER .....	1
45	16469-G1		WASHER, 1/4" .....	1
46	00114-G6		SCREW, 1/4 - 14 X 3/4" LG .....	1
47				
48				
49	73059-G01		ELECTRICAL PLATE ASSEMBLY (INCLUDES ITEMS 50 - 75) .....	1
50	73057-G01		BRACKET.....	1
51	27739-G01		VOLTAGE REGULATOR .....	1
52	00415-G2		BOLT, 1/4 - 20 X 1 1/4" LG .....	1
53	11027-G2		LOCK NUT, 1/4 - 20.....	1
54				
55	27746-G01		IGNITOR.....	1
56	00414-G8		BOLT, 1/4 - 20 X 1" LG .....	1
57	00414-G5		BOLT, 1/4 - 20 X 5/8" LG .....	1
58				
59	27153-G01		SOLENOID .....	1
60	00414-G5		BOLT, 1/4 - 20 X 5/8" LG .....	1

When ordering parts, please specify the model and serial number of the product.

\* Indicates a component that is not available as an individual part.

G\*\* Indicates consult Customer Service Department for additional information.

ITEM	PART NO.	1	2	3	4	5	DESCRIPTION	QTY.
61	11027-G2						LOCK NUT, 1/4 - 20.....	3
62								
63	12914-G2						FASTON TAB, 1/4" X 1/4".....	1
64	00565-G7						LOCK WASHER, 1/4".....	1
65	00532-G1						NUT, 1/4 - 20 .....	1
66								
67	73446-G01						FASTON TAB, 90° .....	1
68	12914-G1						FASTON TAB, #10 X 1/4".....	1
69	00565-G5						LOCK WASHER, #10 .....	2
70	00526-G4						NUT, #10 - 32 .....	2
71	25978-G56						18 GA WIRE (BLACK 5 3/4") .....	1
72	22585-G3						IN-LINE FUSE HOLDER .....	1
73	00565-G8						LOCK WASHER, 5/16".....	2
74	00544-G4						JAM NUT, 5/16 - 24 .....	2
75	25972-G33						6 GA WIRE (BLACK 24", B+ - SOL).....	1
76								
77								
78	25974-G22						10 GA WIRE (WHITE 34") .....	1
79	22674-G1						FUSE BLOCK (1200 / 2200) .....	1
80	01041-G01						RIVET, 5/32" X 3/8" LG (1200 / 2200).....	2
81	18392-G1						15 AMP FUSE (1200 / 2200) .....	3
82								
83								
84	35211-G01						FUSE BLOCK (6 POSITION) (LX / SE) .....	1
85	12914-G1						FASTON TAB .....	1
86	00567-G5						LOCK WASHER, #10.....	1
87	00526-G4						NUT, #10 - 32 .....	1
88	35212-G01						FUSE, 15 AMP.....	1
89	00379-G2						SCREW, #10 - 24 X 1 1/4" LG .....	2
90	00559-G5						WASHER, #10.....	2

# ELECTRICAL SYSTEM

# Gasoline Vehicle

When ordering parts, please specify the model and serial number of the product.

\* Indicates a component that is not available as an individual part.

G\*\* Indicates consult Customer Service Department for additional information.

ITEM	PART NO.	1 2 3 4 5	DESCRIPTION	QTY.
91	14390-G10		LOCK NUT, #10 - 24 .....	2
92				
93				
94	32860-G1		HORN.....	1
95	00414-G5		BOLT, 1/4 - 20 x 5/8" LG .....	1
96	00559-G8		WASHER, 5/16" .....	1
97	00891-G2		LOCK NUT, 1/4 - 20 .....	1
98				
99	17318-G1		HORN SWITCH.....	1
100	17318-G2		HORN SWITCH CAP AND NUT .....	1
101	27068-G01		HORN SWITCH BOOT .....	1
102	19233-G1		HORN SWITCH LABEL .....	1
103	71055-G01		RIVET, 5/32" X 3/8" GRIP (STAINLESS STEEL) .....	2
104				
105	73214-G01		WIRE HARNESS (HORN).....	1
106	25977-G40		16 GA WIRE (BLACK 17") .....	1
107				
108	74236-G01		LIGHT BAR BRACKET (PASSENGER SIDE) .....	1
109	74236-G02		LIGHT BAR BRACKET (DRIVER SIDE).....	1
110	01038-G01		SCREW, 1/4 - 14 X 3/4" LG .....	2
111	00414-G6		BOLT, 1/4 - 20 X 3/4" LG.....	2
112	11027-G2		LOCK NUT, 1/4 - 20 .....	2
113	74001-G01		HEADLIGHT AND TURN SIGNAL LIGHT BAR.....	1
114	00114-G6		SCREW, 1/4 - 14 X 3/4" LG .....	4
115				
116	74004-G01		HEADLIGHT BULB .....	AR
117	74005-G01		MARKER LIGHT BULB.....	AR
118	74006-G01		TURN SIGNAL BULB.....	AR
119				
120				

When ordering parts, please specify the model and serial number of the product.

\* Indicates a component that is not available as an individual part.

G\*\* Indicates consult Customer Service Department for additional information.

ITEM	PART NO.	1	2	3	4	5	DESCRIPTION	QTY.
121	20209-G3						HEADLIGHT (INCLUDES ITEM 122) (LX / SE) .....	2
122	00906-G6						SCREW, #10 - 16 X 1" LG.....	2
123	74337-G01						JUMPER WIRE (HEADLIGHT) .....	2
124								
125	20570-G3						TURN SIGNAL LIGHT (INCLUDES ITEMS 126 - 131).....	2
126	20574-G3						TURN SIGNAL LIGHT .....	1
127	00660-G7						WASHER, 1/4".....	1
128	20606-G1						WIRE ASSEMBLY .....	1
129	00567-G7						LOCK WASHER, 1/4".....	1
130	00532-G1						NUT, 1/4 - 20 .....	1
131	18995-G1						PUSH-ON MALE TERMINAL.....	1
132	20574-G5						LENS, AMBER.....	1
133	00118-G5						SCREW, #6 - 18 X 5/8" LG .....	2
134	74056-G01						TURN SIGNAL JUMPER, RED/BLACK (PASSENGER SIDE) .....	1
135	74056-G02						TURN SIGNAL JUMPER, GREEN/BLACK (DRIVER SIDE) .....	1
136								
137								
138	32739-G2						TAILLIGHT ASSEMBLY (COMPLETE) .....	2
139								
140								
141	17867-G1						TURN SIGNAL (WITH MOUNTING HARDWARE) (INCL. ITEM 142).....	1
142	21640-G1						TURN SIGNAL FLASHER.....	1
143	32307-G3						FLEX LOOM, 3/8 X 8" LG .....	1
144	17618-G1						WIRE TIE .....	2
145	20965-G3						STEERING COLUMN COVER.....	1
146								
147								
148	17421-G1						IGNITION SWITCH KIT (W/O LIGHTS - STANDARD - WITH HARDWARE).....	1
149	17955-G1						IGNITION SWITCH (WITHOUT LIGHTS - NON STANDARD) .....	1
150	18027-G1						IGNITION SWITCH (WITHOUT LIGHTS - INDIVIDUALLY KEYED) .....	1

# ELECTRICAL SYSTEM

# Gasoline Vehicle

When ordering parts, please specify the model and serial number of the product.

\* Indicates a component that is not available as an individual part.

G\*\* Indicates consult Customer Service Department for additional information.

ITEM	PART NO.	1 2 3 4 5	DESCRIPTION	QTY.
151	33639-G**		IGNITION SWITCH (WITH LIGHTS).....	1
152	00568-G6		LOCK WASHER, 3/4".....	1
153	17137-G1		FACE NUT, 3/4 - 20.....	1
154	17063-G1		IGNITION KEY (SET).....	1
155	73041-G01		WIRE HARNESS (KEY SWITCH).....	1
156				
157				
158	73030-G01		PLATE (IGNITION SWITCH ONLY).....	1
159	71181-G02		DECAL (IGNITION SWITCH ONLY) WITHOUT HEADLIGHTS.....	1
160	71181-G01		DECAL (IGNITION SWITCH ONLY) WITH HEADLIGHTS.....	1
161				
162				
163	73030-G04		PLATE (FUEL GAUGE AND OIL LIGHT).....	1
164	71127-G01		DECAL (OIL LIGHT AND FUEL GAUGE W/O HEADLIGHTS).....	1
165	71131-G01		DECAL (OIL LIGHT AND FUEL GAUGE WITH HEADLIGHTS).....	1
166	21553-G1		FUEL GAUGE.....	1
167	23474-G1		INDICATOR LIGHT.....	1
168	74311-G01		HARNESS (OIL LIGHT/FUEL GAUGE).....	1
169	25978-G122		18 GA WIRE (RED 6").....	1
170				
171				
172	73030-G03		PLATE (LOW FUEL AND OIL LIGHT INDICATOR).....	1
173	71125-G01		DECAL (LOW FUEL AND LOW OIL W/O HEADLIGHTS).....	1
174	71183-G01		DECAL (OIL AND FUEL LIGHTS WITH HEADLIGHTS).....	1
175	23474-G1		INDICATOR LIGHT.....	2
176	74309-G01		HARNESS (OIL LIGHT/FUEL LIGHT).....	1
177	25978-G74		18 GA WIRE (RED 6").....	1
178				
179	33623-G02		DRIVE RIVET, 3/16" X 3/8" LG.....	2
180				

When ordering parts, please specify the model and serial number of the product.

\* Indicates a component that is not available as an individual part.

G\*\* Indicates consult Customer Service Department for additional information.

ITEM	PART NO.	1 2 3 4 5	DESCRIPTION	QTY.
181	74444-G**		CONSOLE INSERT ASSEMBLY (WITH OR W/O POWER OUTLET) (INCLUDES ITEMS 182 - 185) .....	1
182	71077-G**		CONSOLE INSERT PLATE.....	1
183	35966-G**		DECAL (CONSOLE INSERT PLATE) .....	1
184	71078-G01		POWER OUTLET (12 VOLT) .....	1
185	14601-G10		RIVET, 5/32" X 7/16" LG.....	2
186	33623-G01		DRIVE RIVET, 5/32" X 5/16" LG .....	3
187	71081-G01		WIRE HARNESS (POWER OUTLET) .....	1
188				
189	75114-G02		HOUR METER KIT (INCLUDES ITEMS 190 - 194).....	1
190	21573-G1		HOUR METER ASSEMBLY .....	1
191	74019-G01		HOUR METER BRACKET .....	1
192	00150-G4		SCREW, #10 - 24 X 1/2" LG.....	2
193	11098-G7		LOCK NUT, #10 - 24.....	2
194	75117-G01		WIRE HARNESS (HOUR METER) .....	1
195				
196				
197	75354-G**		LIGHT BAR WITH LIGHTS AND/OR STROBE (INCLUDES ITEMS 198 - 215, 217 AND/OR 225) .....	1
198	75352-G01		STRUT (DRIVER SIDE) .....	1
199	75352-G02		STRUT (PASSENGER SIDE).....	1
200	75346-G01		WIRE HARNESS (WORK LIGHT).....	1
201	75353-G01		WORK LIGHT BRACE .....	1
202	75363-G01		COVER PLATE.....	1
203	75347-G01		SWITCH HARNESS.....	1
204	71077-G**		LIGHT SWITCH PLATE.....	1
205	33201-G02		STROBE LIGHT MOUNT (USED ONLY WITH STROBE LIGHT) .....	1
206	75365-G01		HARDWARE KIT (INCLUDES ITEMS 207 - 215) .....	1
207	00685-G7		BOLT, 5/16 - 18 X 1 3/4" LG.....	6
208	00660-G8		WASHER, 5/16" .....	12
209	15121-G1		WASHER, 3/8" X 1 1/4".....	2

**ELECTRICAL SYSTEM****Gasoline Vehicle**

When ordering parts, please specify the model and serial number of the product.

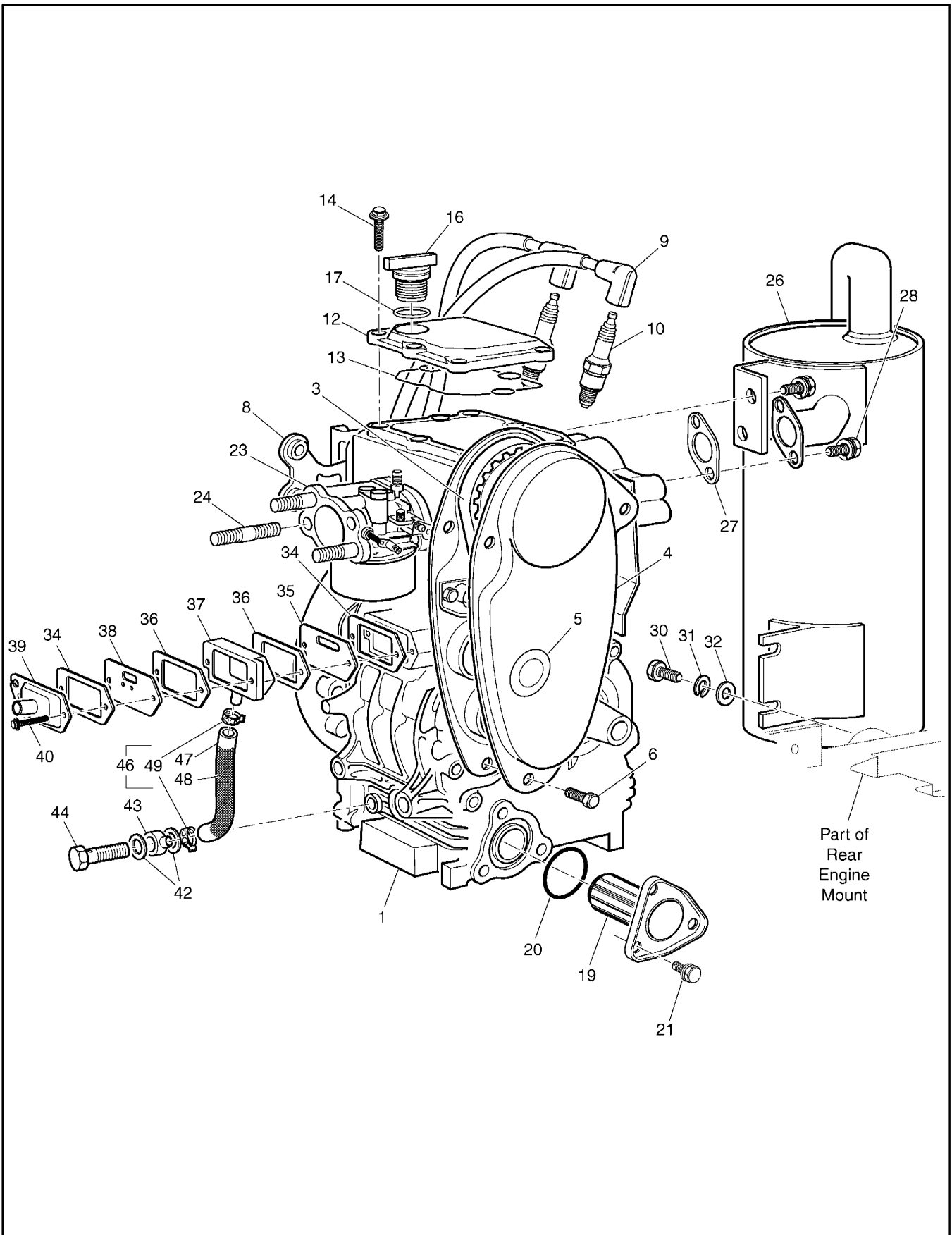
\* Indicates a component that is not available as an individual part.

G\*\* Indicates consult Customer Service Department for additional information.

ITEM	PART NO.	1	2	3	4	5	DESCRIPTION	QTY.
210	11098-G6						LOCK NUT, 5/16 - 18 .....	4
211	00918-G3						ACORN NUT, 5/16 - 18 .....	2
212	33623-G01						DRIVE RIVET, 5/32" X 5/16" LG .....	3
213	20367-G1						GROMMET.....	2
214	16705-G3						SCREW, 1/4 - 20 X 3/4" LG .....	2
215	14390-G4						LOCK NUT, 1/4 - 20 .....	2
216								
217	20383-G2						WORK LIGHT KIT (INCLUDES ITEMS 218 - 223) .....	1
218	20209-G2						LIGHT (RECTANGULAR) .....	2
219	00566-G3						LOCK WASHER, 1/2".....	2
220	00533-G1						NUT, 1/2 - 13 .....	2
221	17317-G1						LIGHT SWITCH.....	1
222	17902-G1						TAB ADAPTER.....	1
223	20053-G1						16 GA WIRE (RED 5 3/8") .....	1
224								
225	20385-G2						STROBE LIGHT KIT (INCLUDES ITEMS 226 - 231).....	1
226	20394-G1						STROBE LIGHT .....	1
227	00379-G4						SCREW, #10 - 24 x 1/2" LG .....	3
228	11098-G7						LOCK NUT, #10 - 24 .....	3
229	17317-G1						LIGHT SWITCH.....	1
230	17902-G1						TAB ADAPTER.....	1
231	20053-G1						16 GA WIRE (RED 5 3/8") .....	1







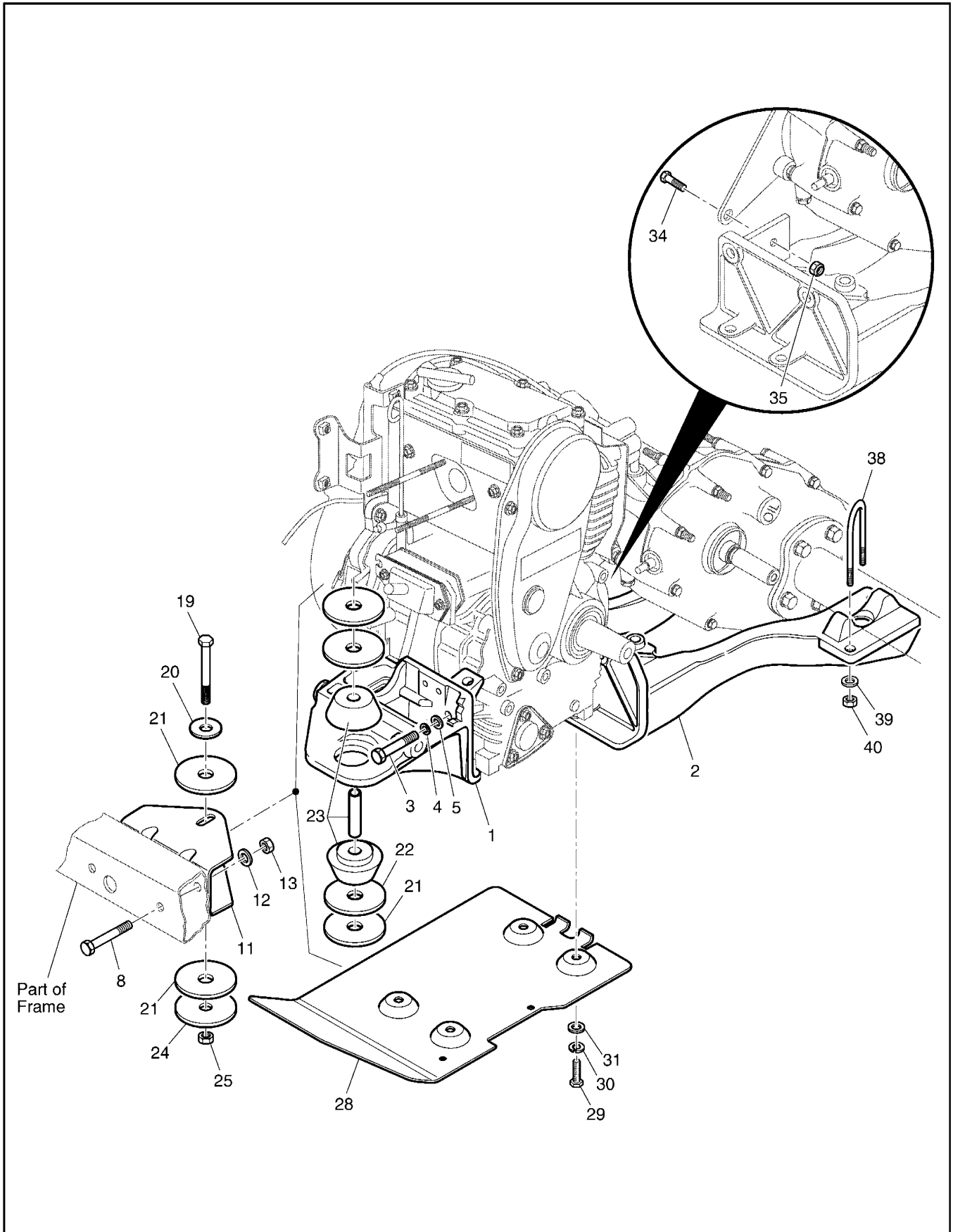
When ordering parts, please specify the model and serial number of the product.  
 \* Indicates a component that is not available as an individual part.  
 G\*\* Indicates consult Customer Service Department for additional information.

ITEM	PART NO.	1 2 3 4 5	DESCRIPTION	QTY.
1	72650-G02		ENGINE, 350 CC .....	1
2				
3	26626-G01		TIMING BELT .....	1
4	26630-G01		TIMING BELT COVER .....	1
5	26631-G01		TIMING BELT COVER GROMMET .....	1
6	26678-G01		BOLT, M6 X 1 X 12 MM LG .....	3
7				
8	26657-G01		IGNITION COIL BRACKET .....	1
9	26733-G01		SPARK PLUG WIRE SET (2 WITH BOOTS) .....	1
10	25523-G4		SPARK PLUG (NGK BPR5ES) .....	2
11				
12	26600-G01		VALVE COVER .....	1
13	26719-G01		VALVE COVER GASKET .....	1
14	26676-G01		FLANGED BOLT, M6 X 1 X 23 MM LG .....	6
15				
16	26601-G01		OIL FILLER CAP .....	1
17	26720-G01		OIL FILLER 'O' RING .....	1
18				
19	26591-G01		OIL FILTER .....	1
20	26710-G01		OIL FILTER 'O' RING .....	1
21	26680-G01		BOLT AND WASHER, M6 X 1 X 12 MM LG .....	3
22				
23	XXXXX-XX		CARBURETOR (SEE CARBURETOR SECTION) .....	X
24	26667-G01		STUD .....	2
25				
26	72019-G01		MUFFLER .....	1
27	25531-G1		EXHAUST GASKET .....	1
28	25532-G1		BOLT AND WASHER, M8 X 1.25 X 18 MM LG .....	4
29				
30	00438-G8		BOLT, 5/16 - 18 X 1" LG .....	1

When ordering parts, please specify the model and serial number of the product.  
 \* Indicates a component that is not available as an individual part.  
 G\*\* Indicates consult Customer Service Department for additional information.

ITEM	PART NO.	1 2 3 4 5	DESCRIPTION	QTY.
31	00565-G8		LOCK WASHER, 5/16".....	1
32	00642-G8		WASHER, 5/16" .....	1
33				
34	72555-G01		BREATHER COVER GASKET (THICK).....	2
35	72657-G01		INNER BREATHER PLATE (LONG SLOT).....	1
36	72554-G01		BREATHER COVER GASKET (THIN).....	2
37	72658-G01		BREATHER BOX.....	1
38	72676-G01		OUTER BREATHER PLATE (SHORT SLOT).....	1
39	72659-G01		BREATHER COVER .....	1
40	72680-G01		FLANGED BOLT, M6 X 1 X 70 MM LG .....	2
41				
42	72656-G01		ALUMINUM GASKET.....	2
43	72655-G01		BANJO UNION.....	1
44	72654-G01		BANJO BOLT .....	1
45				
46	72653-G01		RUBBER RETURN HOSE (INCLUDES ITEMS 47 - 49) .....	1
47	72677-G01		RUBBER HOSE, 6 MM ID X 12 MM OD X 145 MM LG .....	1
48	72678-G01		MESH PROTECTIVE COVER.....	1
49	72679-G01		HOSE CLAMP .....	2





When ordering parts, please specify the model and serial number of the product.

\* Indicates a component that is not available as an individual part.

G\*\* Indicates consult Customer Service Department for additional information.

ITEM	PART NO.	1 2 3 4 5	DESCRIPTION	QTY.
1	72010-G01		FRONT ENGINE MOUNT .....	1
2	72011-G01		REAR ENGINE MOUNT .....	1
3	00463-G4		BOLT, 7/16 - 14 X 1 1/2" LG .....	4
4	00566-G2		LOCK WASHER, 7/16" .....	4
5	00922-G3		WASHER, 7/16" .....	4
6				
7				
8	00428-G6		BOLT, 3/8 - 16 X 2 3/4" LG .....	2
9				
10				
11	72044-G01		MOUNT BRACKET .....	1
12	00643-G1		WASHER, 3/8" .....	2
13	11098-G5		LOCK NUT, 3/8 - 16 .....	2
14				
15				
16				
17				
18				
19	00430-G4		BOLT, 3/8 - 16 X 4 1/2" LG .....	1
20	15121-G1		WASHER, 1 1/4" X 3/8" .....	1
21	72050-G01		PLASTIC WASHER, 2 1/2" x 5/8" .....	4
22	72051-G01		WASHER, 2 1/2" X 5/8" .....	2
23	72015-G01		ISOLATION MOUNT .....	1
24	72051-G02		WASHER, 2 1/2" X 11/32" .....	1
25	11098-G5		LOCK NUT, 3/8 - 16 .....	1
26				
27				
28	72719-G01		ENGINE GUARD .....	1
29	00463-G4		BOLT, 7/16 - 14 X 1 1/2" LG .....	4
30	00566-G2		LOCK WASHER, 7/16" .....	4

# ENGINE MOUNTING

# Gasoline Vehicle

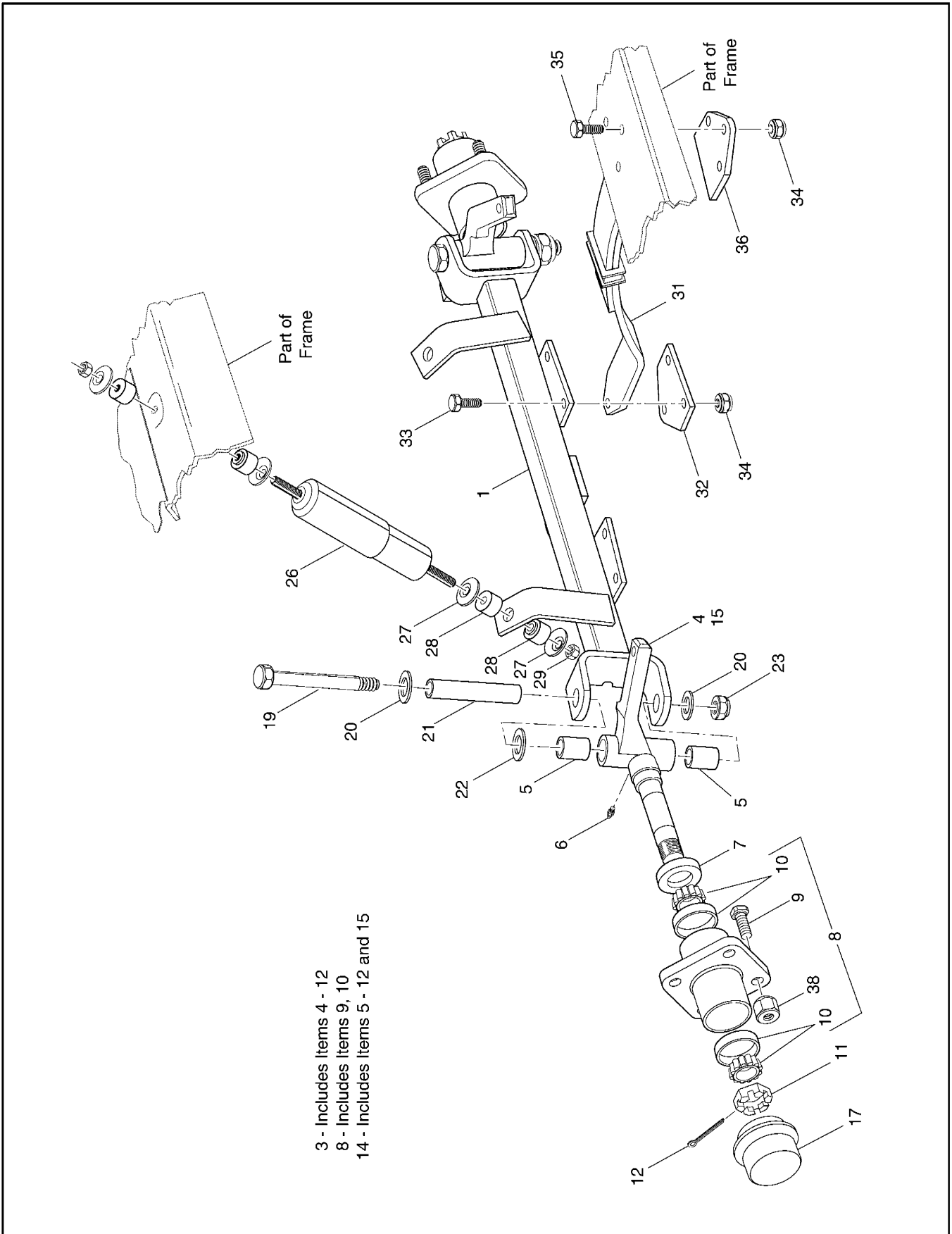
When ordering parts, please specify the model and serial number of the product.  
 \* Indicates a component that is not available as an individual part.  
 G\*\* Indicates consult Customer Service Department for additional information.

ITEM	PART NO.	1 2 3 4 5	DESCRIPTION	QTY.
31	00922-G3		WASHER, 7/16" .....	4
32				
33				
34	00439-G1		BOLT, 5/16 - 18 X 1 1/8" LG .....	1
35	11098-G6		LOCK NUT, 5/16 - 18 .....	1
36				
37				
38	72035-G01		'U' BOLT, 7/16 - 14 .....	2
39	00922-G3		WASHER, 7/16" .....	4
40	00734-G1		LOCK NUT, 7/16 - 14 .....	4





# FRONT SUSPENSION (EARLY PRODUCTION) Gasoline Vehicle



# Gasoline Vehicle FRONT SUSPENSION (EARLY PRODUCTION)

When ordering parts, please specify the model and serial number of the product.

\* Indicates a component that is not available as an individual part.

G\*\* Indicates consult Customer Service Department for additional information.

ITEM	PART NO.	1	2	3	4	5	DESCRIPTION	QTY.
1	70536-G01						FRONT AXLE.....	1
2								
3	70220-G01						SPINDLE ASSEMBLY (DRIVER SIDE) (INCLUDES ITEMS 4 - 12).....	1
4	*						SPINDLE (DRIVER SIDE).....	1
5	16623-G1						BEARING .....	2
6	10389-G3						GREASE FITTING, STRAIGHT .....	1
7	25146-G1						GREASE SEAL .....	1
8	19932-G1						WHEEL HUB ASSEMBLY (INCLUDES ITEMS 9, 10) .....	1
9	19862-G1						LUG BOLT, 1/2 - 20 X 1 7/32" LG.....	4
10	50892-G1						BEARING AND RACE ASSEMBLY (COMPLETE) .....	2
11	12093-G1						SLOTTED NUT, 1 - 14.....	1
12	00798-G8						COTTER PIN, 5/32" X 1 3/4" LG .....	1
13								
14	70221-G01						SPINDLE ASSEMBLY (PASSENGER SIDE) (INCLUDES ITEMS 5 - 12, 15) ...	1
15	*						SPINDLE (PASSENGER SIDE) .....	1
16								
17	12091-G2						SPINDLE CAP .....	2
18								
19	01040-G01						BOLT, 1/2 - 13 X 5" LG .....	2
20	00571-G5						WASHER, 1/2" .....	4
21	70328-G01						KING PIN TUBE.....	2
22	16982-G1						THRUST WASHER, 7/8".....	2
23	14390-G6						LOCK NUT, 1/2 - 13 .....	2
24								
25								
26	70324-G01						SHOCK ABSORBER .....	2
27	10435-G1						SHOCK ABSORBER WASHER.....	8
28	10194-G1						RUBBER BUSHING .....	8
29	00532-G6						NUT, 3/8 - 24 .....	4
30								

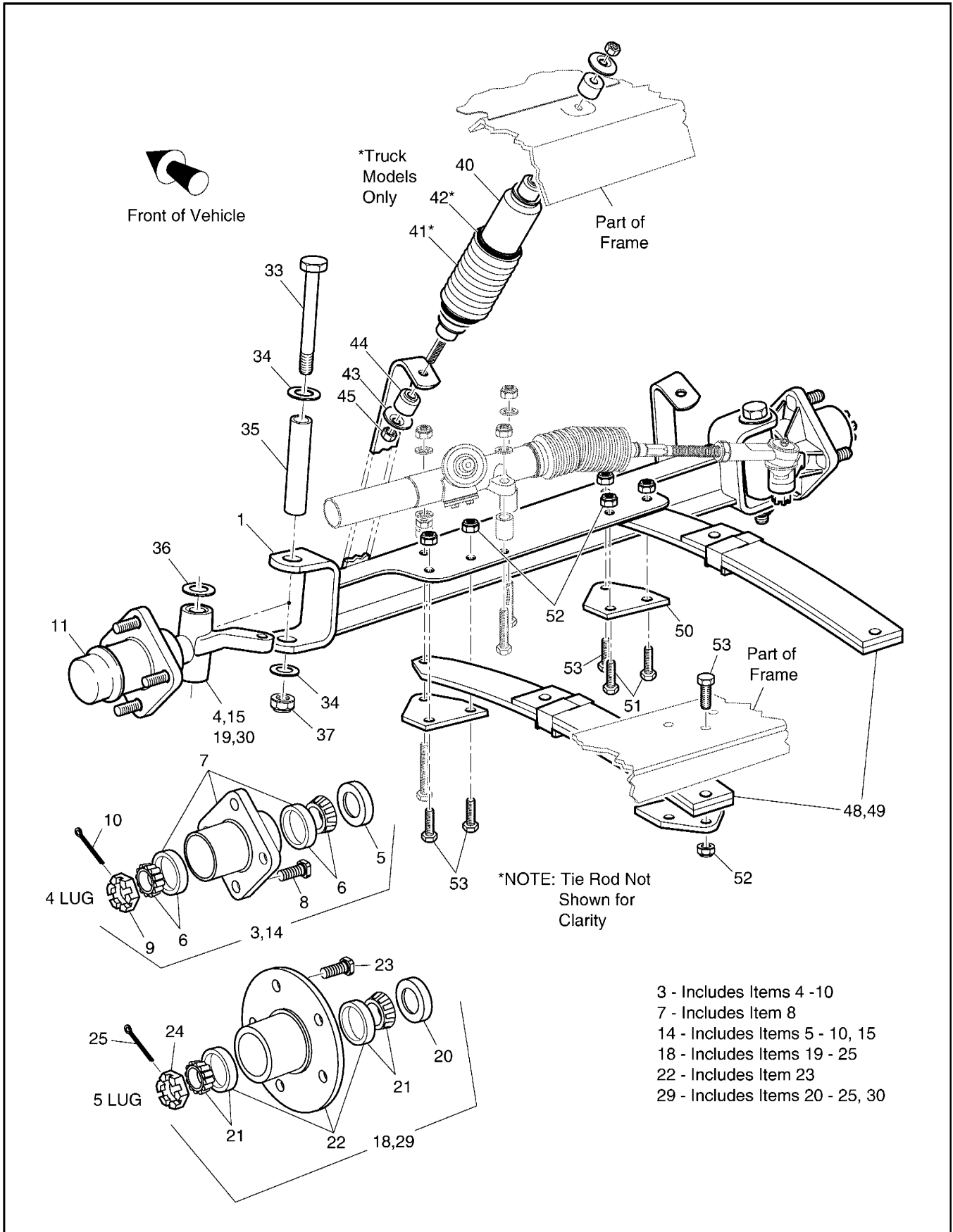
# FRONT SUSPENSION (EARLY PRODUCTION) Gasoline Vehicle

When ordering parts, please specify the model and serial number of the product.  
 \* Indicates a component that is not available as an individual part.  
 G\*\* Indicates consult Customer Service Department for additional information.

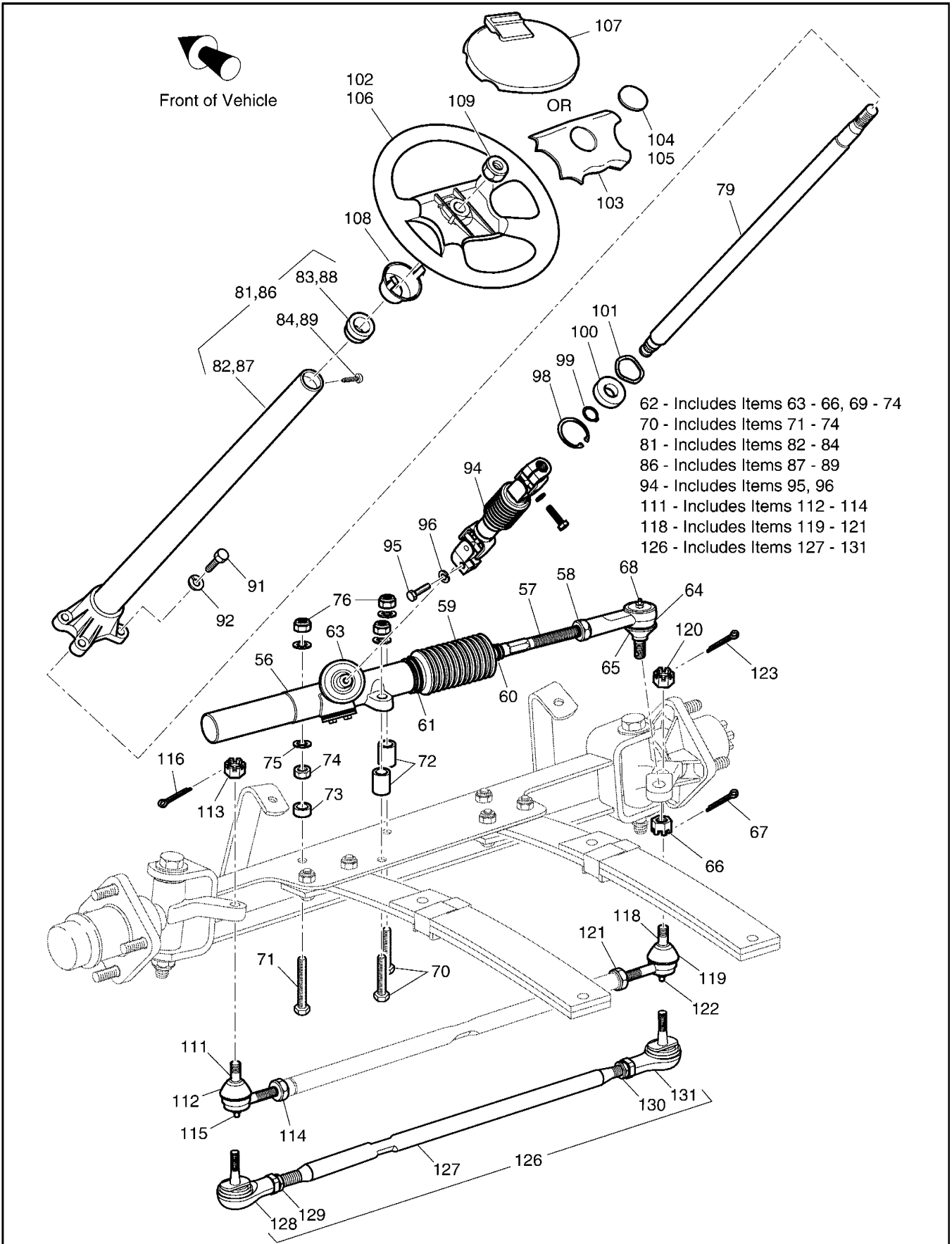
ITEM	PART NO.	1	2	3	4	5	DESCRIPTION	QTY.
31	70049-G01						LEAF SPRING .....	2
32	70540-G02						SPRING PLATE .....	2
33	00463-G4						BOLT, 7/16 - 14 X 1 1/2" LG.....	6
34	00734-G1						LOCK NUT, 7/16 - 14 .....	12
35	00463-G6						BOLT, 7/16 - 14 X 1 3/4" LG.....	6
36	70163-G02						SPRING PLATE .....	2
37								
38	14723-G1						LUG NUT, 1/2 - 20.....	8

**Gasoline Vehicle FRONT SUSPENSION (EARLY PRODUCTION)**

# FRONT SUSPENSION/STEERING (JAN. 2001) Gasoline Vehicle



# Gasoline Vehicle FRONT SUSPENSION/STEERING (JAN. 2001)



# FRONT SUSPENSION/STEERING (JAN. 2001) Gasoline Vehicle

When ordering parts, please specify the model and serial number of the product.

\* Indicates a component that is not available as an individual part.

G\*\* Indicates consult Customer Service Department for additional information.

ITEM	PART NO.	1	2	3	4	5	DESCRIPTION	QTY.
1	70963-G01						FRONT AXLE.....	1
2								
3	70942-G01						SPINDLE AND HUB ASSEMBLY, 4 LUG (PASSENGER SIDE) (INCLUDES ITEMS 4 - 10) .....	1
4	70942-G02						SPINDLE ASSEMBLY (PASSENGER SIDE) .....	1
5	25146-G1						GREASE SEAL .....	1
6	50892-G1						ROLLER BEARING AND RACE ASSEMBLY .....	2
7	70895-G01						WHEEL HUB ASSEMBLY WITH RACES, 4 LUG (INCLUDES ITEM 8).....	1
8	19862-G1						LUG BOLT, 1/2 - 20 X 1 7/32" LG.....	4
9	12093-G1						SLOTTED NUT, 1 - 14.....	1
10	00798-G8						COTTER PIN, 5/32" X 1 3/4" LG .....	1
11	12091-G2						SPINDLE CAP .....	2
12								
13								
14	70673-G01						SPINDLE AND HUB ASSEMBLY, 4 LUG (DRIVER SIDE) (INCLUDES ITEMS 5 - 10, 15) .....	1
15	70673-G02						SPINDLE ASSEMBLY (DRIVER SIDE).....	1
16								
17								
18	70943-G01						SPINDLE AND HUB ASSEMBLY, 5 LUG (PASSENGER SIDE) (INCLUDES ITEMS 19 - 25) .....	1
19	70942-G02						SPINDLE ASSEMBLY (PASSENGER SIDE) .....	1
20	12092-G1						GREASE SEAL .....	1
21	50892-G1						BEARING AND RACE ASSEMBLY.....	2
22	70772-G01						WHEEL HUB ASSEMBLY WITH RACES, 5 LUG (INCLUDES ITEM 23).....	1
23	30143-G1						LUG BOLT, 1/2 - 20 X 1 7/32" LG.....	5
24	12093-G1						SLOTTED NUT, 1 - 14.....	1
25	00798-G8						COTTER PIN, 5/32" X 1 3/4" LG .....	1
26								
27								
28								

# Gasoline Vehicle FRONT SUSPENSION/STEERING (JAN. 2001)

When ordering parts, please specify the model and serial number of the product.

\* Indicates a component that is not available as an individual part.

G\*\* Indicates consult Customer Service Department for additional information.

ITEM	PART NO.	1	2	3	4	5	DESCRIPTION	QTY.
29	70797-G01						SPINDLE AND HUB ASSEMBLY, 5 LUG (DRIVER SIDE) (INCLUDES ITEMS 20 - 25, 30) .....	1
30	70673-G02						SPINDLE ASSEMBLY (DRIVER SIDE).....	1
31								
32								
33	00407-G6						BOLT, 1/2 - 13 X 6" LG .....	2
34	00560-G3						WASHER, 1/2" .....	4
35	70745-G01						KING PIN TUBE .....	2
36	70754-G01						THRUST WASHER (STAINLESS STEEL).....	2
37	14390-G6						LOCK NUT, 1/2 - 13 .....	2
38								
39								
40	70928-G01						SHOCK ABSORBER .....	2
41	70509-G01						SHOCK ABSORBER BOOT .....	2
42	31539-G1						WIRE TIE .....	4
43	10435-G1						SHOCK ABSORBER WASHER.....	8
44	10194-G1						RUBBER BUSHING .....	8
45	00532-G6						NUT, 3/8 - 24 .....	4
46								
47								
48	70597-G02						LEAF SPRING (SEE PART NUMBER ON SPRING).....	2
49	70664-G02						LEAF SPRING (HEAVY DUTY) (SEE PART NUMBER ON SPRING).....	2
50	70163-G02						SPRING PLATE .....	4
51	00463-G4						BOLT, 7/16 - 14 X 1 1/2" LG .....	2
52	00734-G1						LOCK NUT, 7/16 - 14 .....	9
53	00463-G6						BOLT, 7/16 - 14 X 1 3/4" LG .....	9
54								
55								
56	70602-G01						RACK AND PINION UNIT (COMPLETE) (INCLUDES ITEMS 57 - 60, 63 - 68).	1
57	70694-G01						RACK EXTENSION.....	1



# FRONT SUSPENSION/STEERING (JAN. 2001) Gasoline Vehicle

When ordering parts, please specify the model and serial number of the product.

\* Indicates a component that is not available as an individual part.

G\*\* Indicates consult Customer Service Department for additional information.

ITEM	PART NO.	1	2	3	4	5	DESCRIPTION	QTY.
58	*						JAM NUT, 1/2 - 20 .....	1
59	70675-G01						RACK BOOT .....	1
60	17618-G1						WIRE TIE.....	1
61	12416-G2						WIRE TIE .....	1
62								
63	70638-G01						PINION SEAL.....	1
64	70695-G01						RACK BALL JOINT (INCLUDES ITEMS 65 - 68).....	1
65	50641-G1						RUBBER BOOT .....	1
66	50209-G2						SLOTTED NUT, 7/16 - 20.....	1
67	10387-G2						COTTER PIN, 3/32" X 1" LG.....	1
68	10389-G3						GREASE FITTING, STRAIGHT .....	1
69								
70	00464-G6						BOLT, 7/16 - 14 X 2 3/4" LG.....	2
71	01068-G01						BOLT, 7/16 - 14 X 3 1/2" LG.....	1
72	70667-G02						SPACER.....	2
73	70667-G03						SPACER (SHORT).....	1
74	00532-G7						NUT, 7/16 - 14 .....	1
75	00560-G2						WASHER, 7/16" .....	4
76	00734-G1						LOCK NUT, 7/16 - 14 .....	3
77								
78								
79	70607-G01						STEERING SHAFT .....	1
80								
81	70758-G03						STEERING COLUMN KIT (INCLUDES ITEMS 82 - 84).....	1
82	70610-G01						STEERING COLUMN.....	1
83	28569-G01						STEERING COLUMN BUSHING .....	1
84	01022-G01						SCREW, #6 - 20 X 5/16" LG.....	1
85								
86	70758-G04						STEERING COLUMN KIT (HORN) (INCLUDES ITEMS 87 - 89).....	1
87	70610-G02						STEERING COLUMN.....	1

# Gasoline Vehicle FRONT SUSPENSION/STEERING (JAN. 2001)

When ordering parts, please specify the model and serial number of the product.

\* Indicates a component that is not available as an individual part.

G\*\* Indicates consult Customer Service Department for additional information.

ITEM	PART NO.	1	2	3	4	5	DESCRIPTION	QTY.
88	28569-G01						STEERING COLUMN BUSHING .....	1
89	01022-G01						SCREW, #6 - 20 X 5/16" LG.....	1
90								
91	01006-G01						BOLT, 3/8 - 16 X 1 1/4" LG WITH PATCHLOCK .....	4
92	00879-G1						LOCK WASHER, 3/8".....	4
93								
94	70580-G01						INTERMEDIATE SHAFT (INCLUDES ITEMS 95, 96).....	1
95	01055-G01						BOLT, M8 X 1 1/4" LG .....	2
96	00565-G8						LOCK WASHER, 5/16".....	2
97								
98	70751-G01						RETAINING RING (INTERNAL).....	1
99	70888-G01						RETAINING RING (EXTERNAL).....	1
100	15112-G1						BALL BEARING .....	1
101	70887-G01						WAVE WASHER .....	1
102	71146-G01						STEERING WHEEL .....	1
103	71147-G01						STEERING WHEEL COVER .....	1
104	71047-G01						DECAL (E-Z-GO) .....	1
105	74405-G01						DECAL (CUSHMAN).....	1
106	71948-G01						STEERING WHEEL .....	1
107	71950-G01						CLIPBOARD .....	1
108	71949-G01						HUB COVER.....	1
109	14390-G2						LOCK NUT, 5/8 - 18 .....	1
110								
111	27205-G01						TIE ROD END (LEFT HAND THREAD) (INCLUDES ITEMS 112 - 114) .....	1
112	50641-G1						RUBBER BOOT .....	1
113	50209-G2						SLOTTED NUT, 7/16 - 20.....	1
114	18434-G3						JAM NUT, 9/16 - 18 (LEFT HAND THREAD) .....	1
115	10389-G3						GREASE FITTING, STRAIGHT .....	1
116	10387-G2						COTTER PIN, 3/32" X 1" LG.....	1
117								

# FRONT SUSPENSION/STEERING (JAN. 2001) Gasoline Vehicle

When ordering parts, please specify the model and serial number of the product.

\* Indicates a component that is not available as an individual part.

G\*\* Indicates consult Customer Service Department for additional information.

ITEM	PART NO.	1	2	3	4	5	DESCRIPTION	QTY.
118	27205-G02						TIE ROD END (RIGHT HAND THREAD) (INCLUDES ITEMS 119 - 121) .....	1
119	50641-G1						RUBBER BOOT .....	1
120	50209-G2						SLOTTED NUT, 7/16 - 20 .....	1
121	18434-G4						JAM NUT, 9/16 - 18 (RIGHT HAND THREAD).....	1
122	10389-G3						GREASE FITTING, STRAIGHT .....	1
123	10387-G2						COTTER PIN, 3/32" X 1" LG .....	1
124								
125								
126	70876-G02						TIE ROD ASSEMBLY (INCLUDES ITEMS 127 - 131).....	1
127	70897-G02						THREADED ROD (24" LG) .....	1
128	70902-G01						TIE ROD END (LEFT HAND THREADS) .....	1
129	01069-G01						JAM NUT, M12 X 1.25-05 (LEFT HAND THREADS) .....	1
130	70902-G02						TIE ROD END (RIGHT HAND THREADS) .....	1
131	01069-G02						JAM NUT, M12 X 1.25-05 (RIGHT HAND THREADS).....	1
132								
133	00734-G1						LOCK NUT, 7/16 - 14 .....	2

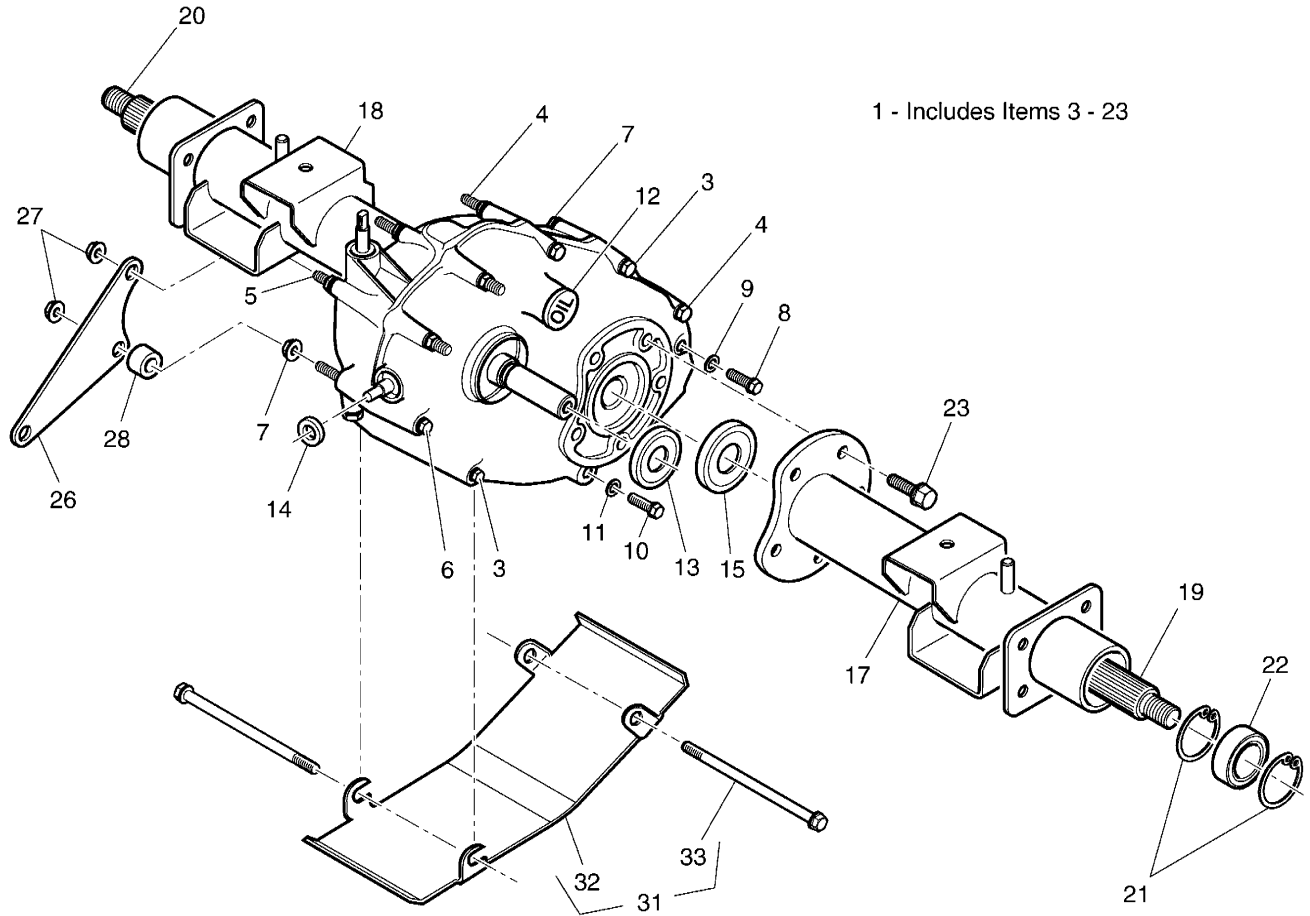




When ordering parts, please specify the model and serial number of the product.  
 \* Indicates a component that is not available as an individual part.  
 G\*\* Indicates consult Customer Service Department for additional information.

ITEM	PART NO.	1 2 3 4 5	DESCRIPTION	QTY.
1	72092-G01		FUEL TANK (FOR VEHICLES WITHOUT GAUGE) .....	1
2	72282-G01		FUEL TANK CAP .....	1
3	72229-G01		FUEL LEVEL SENDER ADAPTER .....	1
4	72230-G01		SCREW, #6 - 32 X 1/2" LG .....	2
5	20048-G2		FUEL LEVEL SENDER (ELEC. FUEL GAUGE) (INCLUDES ITEMS 6, 7) .....	1
6	*		GASKET .....	1
7	72232-G01		SCREW, #10 - 32 x 3/4" LG .....	5
8				
9	72092-G02		FUEL TANK (FOR ELECTRIC FUEL GAUGE) .....	1
10	00438-G1		BOLT, 5/16 - 18 X 1 1/8" LG .....	2
11	00559-G8		WASHER, 5/16" .....	4
12				
13	11098-G6		LOCK NUT, 5/16 - 18 .....	3
14				
15	14099-G2		FUEL TANK CAP WITH GAUGE	
16				
17	18287-G2		FUEL PICK UP TUBE .....	1
18	72084-G01		FUEL FILTER .....	1
19	25346-G11		TUBING, 4" LG (BULK) .....	2
20	18292-G1		CLAMP .....	5
21	72021-G01		FUEL PUMP .....	1
22	00114-G6		SCREW, 1/4 - 14 X 3/4" LG .....	2
23				
24	25346-G6		TUBING, 26" LG (BULK) .....	A/R
25	11391-G4		HOSE CLAMP .....	3
26	27184-G01		PULSE TUBING, 26" LG (BULK) .....	A/R
27				
28	17618-G1		WIRE TIE .....	3
29	32617-G2		VINYL TRIM, 14" LG (BULK) .....	A/R
30	26459-G01		LABEL (UNLEADED GASOLINE ONLY) .....	1





When ordering parts, please specify the model and serial number of the product.

\* Indicates a component that is not available as an individual part.

G\*\* Indicates consult Customer Service Department for additional information.

ITEM	PART NO.	1	2	3	4	5	DESCRIPTION	QTY.	
1	74520-G01	REAR AXLE (13.32:1) (INCLUDES ITEMS 3 - 23) .....							1
2									
3	26823-G01	FLANGED BOLT, M8 X 1.25 X 100 MM LG .....							5
4	26824-G01	FLANGED BOLT, M8 X 1.25 X 110 MM LG .....							2
5	*	BOLT, M8 X 1.25 X 146 MM LG .....							2
6	72052-G01	FLANGED BOLT, M8 X 1.25 X 130 MM LG .....							1
7	72269-G01	FLANGE NUT, M8 X 1.25 MM.....							12
8	26768-G01	OIL CHECK PLUG .....							1
9	26769-G01	GASKET, 8 MM .....							1
10	26770-G01	OIL DRAIN PLUG.....							1
11	26771-G01	GASKET, 14 MM .....							1
12	26772-G01	OIL FILLER PLUG.....							1
13	26761-G01	INPUT SHAFT SEAL.....							1
14	26762-G01	SHIFTER SHAFT SEAL.....							1
15	72259-G01	AXLE SHAFT SEAL.....							2
16									
17	72249-G01	AXLE TUBE (DRIVER SIDE) .....							1
18	72248-G01	AXLE TUBE (PASSENGER SIDE).....							1
19	72056-G01	AXLE SHAFT (DRIVER SIDE) .....							1
20	72057-G01	AXLE SHAFT (PASSENGER SIDE).....							1
21	26814-G01	RETAINING RING .....							4
22	26811-G01	BALL BEARING.....							2
23	72260-G01	FLANGED BOLT, M10 X 1.5 X 23 MM LG .....							10
24									
25									
26	72017-G01	AXLE BRACKET .....							1
27	26830-G01	LOCK NUT, M8 X 1.25 MM.....							2
28	75048-G01	SPACER, 1/2" .....							1
29									
30									

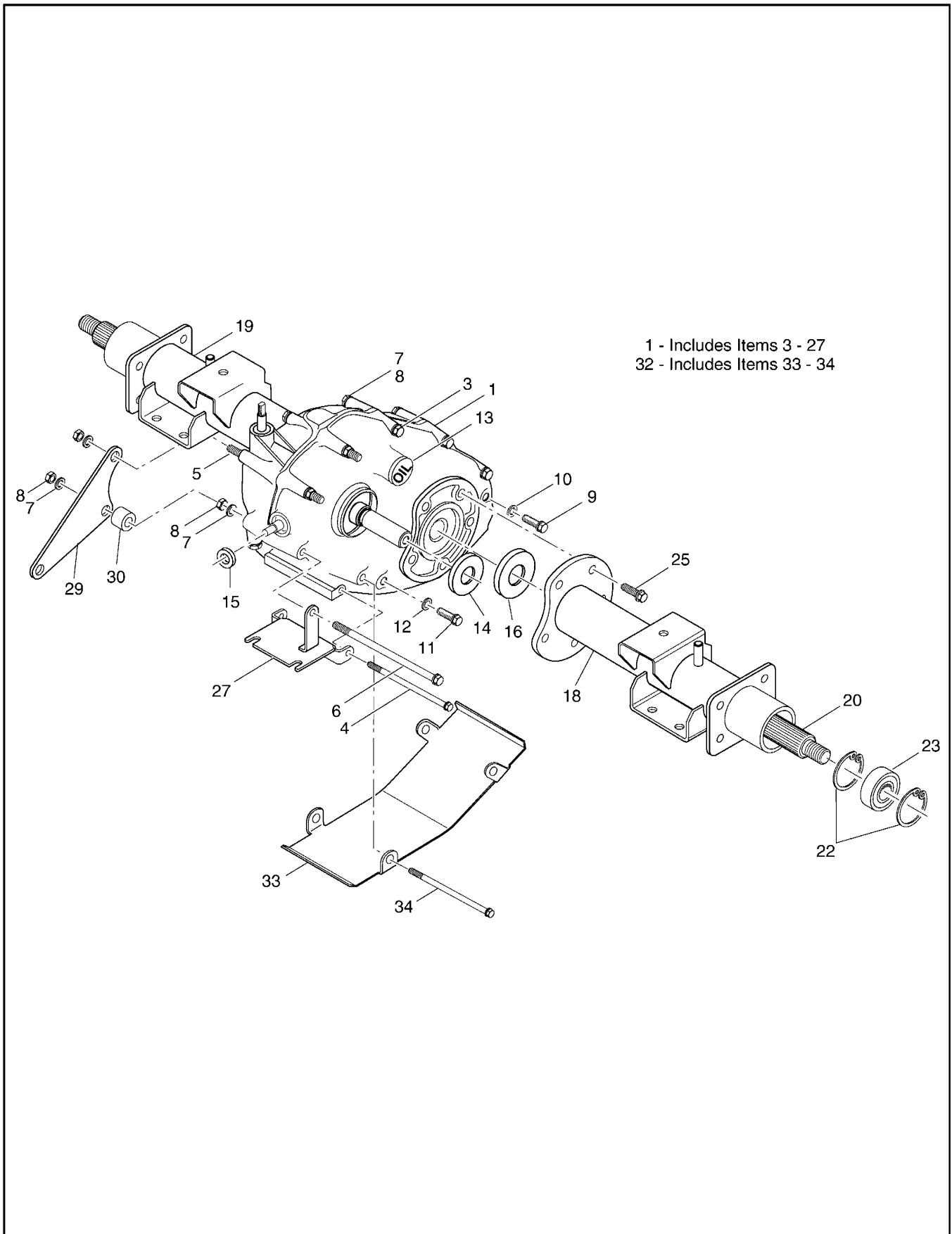


**REAR AXLE - SINGLE CABLE SHIFTER****Gasoline Vehicle**

When ordering parts, please specify the model and serial number of the product.  
 \* Indicates a component that is not available as an individual part.  
 G\*\* Indicates consult Customer Service Department for additional information.

ITEM	PART NO.	1 2 3 4 5	DESCRIPTION	QTY.
31	72347-G01		DIFFERENTIAL SCUFF GUARD KIT (INCLUDES ITEMS 32 - 33) .....	1
32	72349-G01		DIFFERENTIAL SKID PLATE .....	1
33	26824-G01		FLANGED BOLT, M8 X 1.25 X 110 MM LG .....	2





When ordering parts, please specify the model and serial number of the product.

\* Indicates a component that is not available as an individual part.

G\*\* Indicates consult Customer Service Department for additional information.

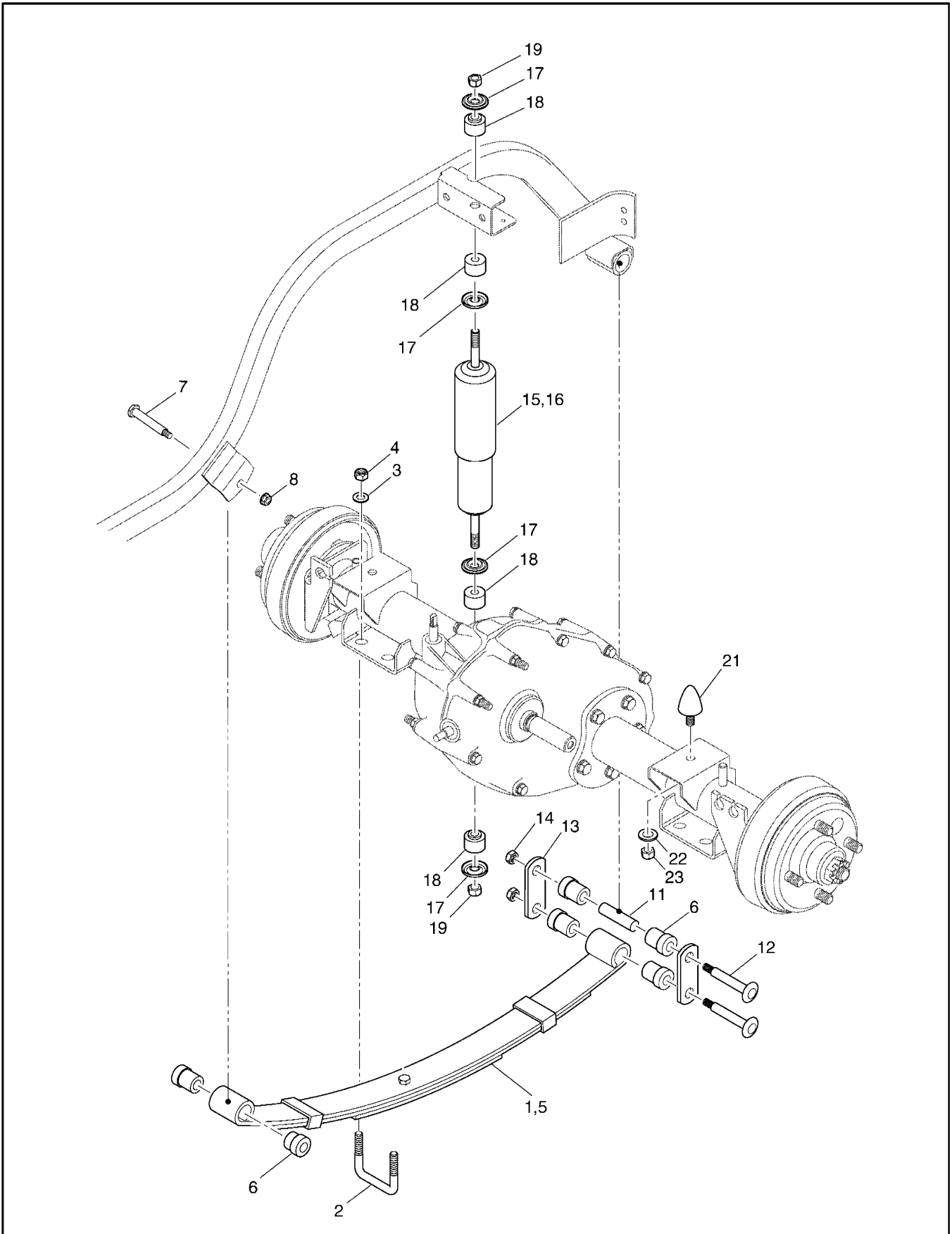
ITEM	PART NO.	1	2	3	4	5	DESCRIPTION	QTY.	
1	72246-G01	REAR AXLE (13.32:1) (INCLUDES ITEMS 3 - 27) .....							1
2									
3	26823-G01	FLANGED BOLT, M8 X 1.25 X 100 MM LG .....							7
4	26824-G01	FLANGED BOLT, M8 X 1.25 X 110 MM LG.....							1
5	72053-G01	FLANGED BOLT, M8 X 1.25 X 120 MM LG .....							1
6	72052-G01	FLANGED BOLT, M8 X 1.25 X 130 MM LG .....							1
7	26826-G01	LOCK WASHER, 8 MM .....							14
8	26827-G01	NUT, M8 X 1.25 MM .....							14
9	26768-G01	OIL CHECK PLUG.....							1
10	26769-G01	GASKET, 8 MM.....							1
11	26770-G01	OIL DRAIN PLUG .....							1
12	26771-G01	GASKET, 14 MM.....							1
13	26772-G01	OIL FILLER PLUG .....							1
14	26761-G01	INPUT SHAFT SEAL .....							1
15	26762-G01	SHIFTER SHAFT SEAL.....							1
16	26766-G01	AXLE SHAFT SEAL.....							2
17									
18	72249-G01	AXLE TUBE (DRIVER SIDE).....							1
19	72248-G01	AXLE TUBE (PASSENGER SIDE) .....							1
20	72056-G01	AXLE SHAFT (DRIVER SIDE).....							1
21	72057-G01	AXLE SHAFT (PASSENGER SIDE) .....							1
22	26814-G01	RETAINING RING .....							4
23	26811-G01	BALL BEARING.....							2
24									
25	72260-G01	FLANGED BOLT, M10 X 1.5 X 23 MM LG .....							10
26									
27	26815-G01	SHIFTER CABLE BRACKET .....							1
28									
29	72017-G01	AXLE BRACKET .....							1
30	75048-G01	SPACER, 1/2" .....							1

**REAR AXLE - DUAL CABLE SHIFTER****Gasoline Vehicle**

When ordering parts, please specify the model and serial number of the product.  
 \* Indicates a component that is not available as an individual part.  
 G\*\* Indicates consult Customer Service Department for additional information.

ITEM	PART NO.	1 2 3 4 5	DESCRIPTION	QTY.
31				
32	72347-G01		DIFFERENTIAL SCUFF GUARD KIT (INCLUDES ITEMS 33 - 34) .....	1
33	72349-G01		DIFFERENTIAL SKID PLATE .....	1
34	26824-G01		FLANGED BOLT, M8 X 1.25 X 110 MM LG .....	2

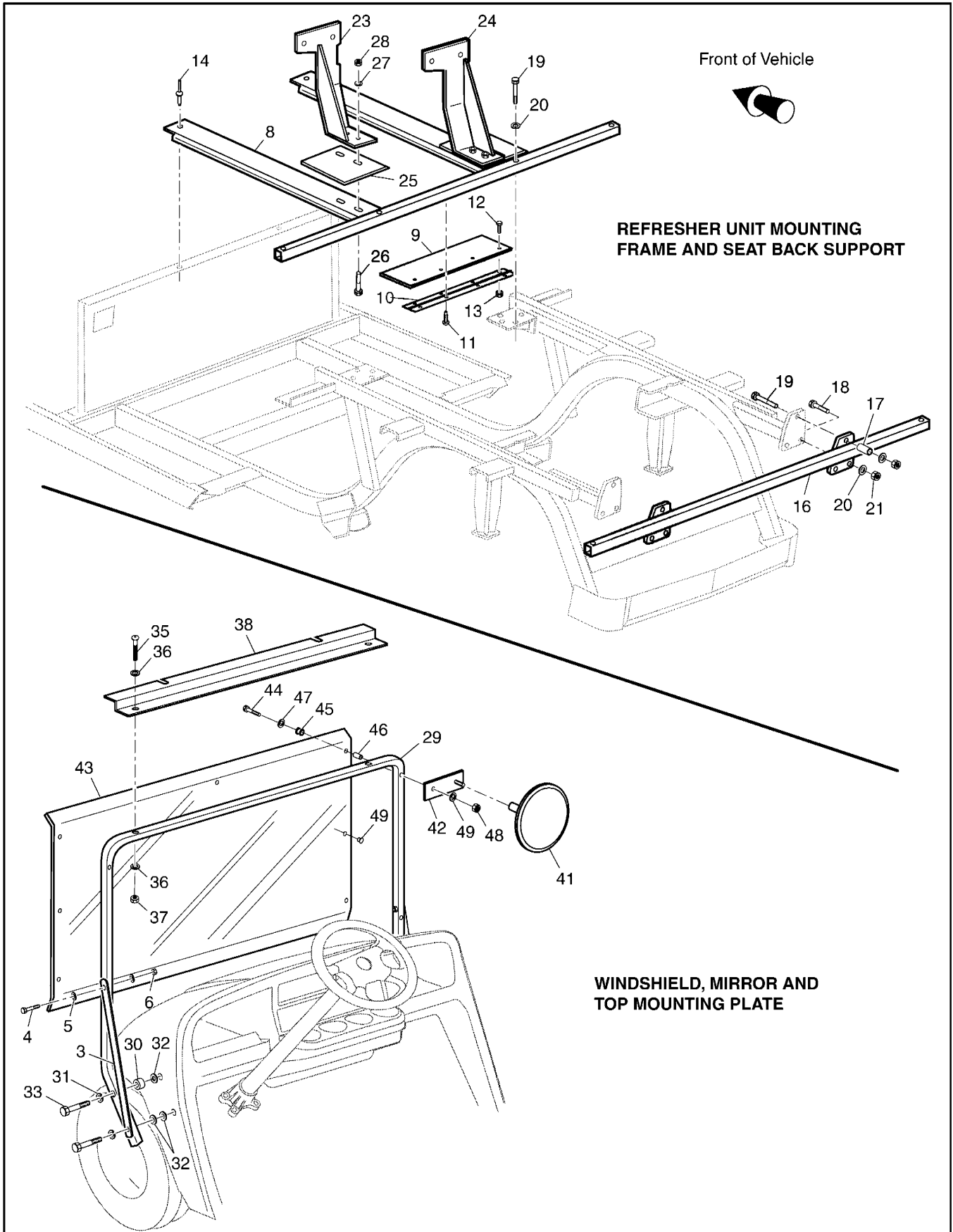


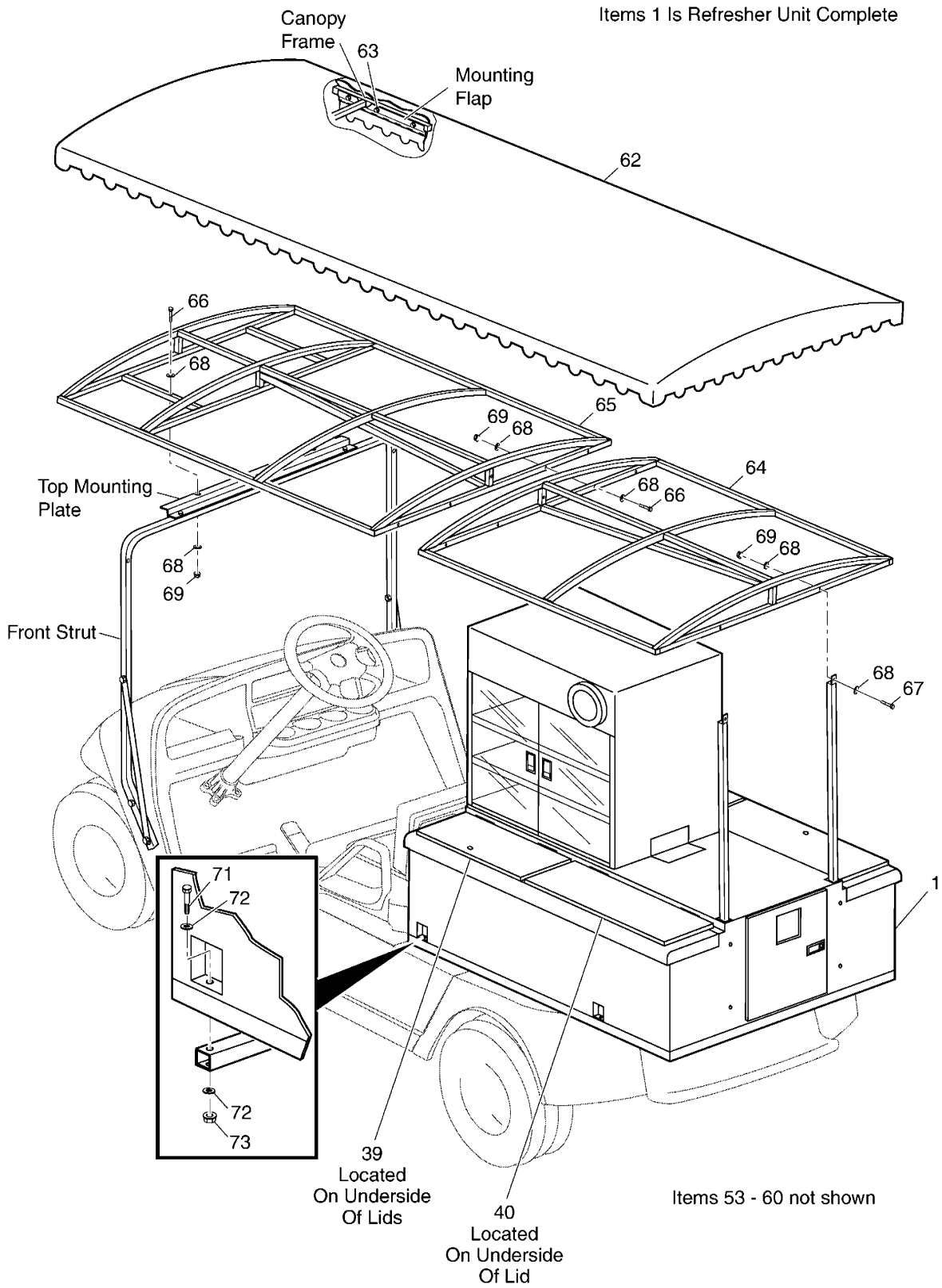


When ordering parts, please specify the model and serial number of the product.  
 \* Indicates a component that is not available as an individual part.  
 G\*\* Indicates consult Customer Service Department for additional information.

ITEM	PART NO.	1 2 3 4 5	DESCRIPTION	QTY.
1	70506-G01		LEAF SPRING SET .....	1
2	72618-G02		'U' BOLT, 3/8 - 16 .....	4
3	00560-G1		WASHER, 3/8" .....	8
4	11098-G5		LOCK NUT, 3/8 - 16 .....	8
5	74345-G01		LEAF SPRING SET (REFRESHER) .....	2
6	70291-G01		FLANGED BUSHING .....	12
7	14158-G1		SHOULDER BOLT, 3/8 - 16 x 3 1/4" LG .....	2
8	12262-G1		LOCK NUT, 3/8 - 16 .....	2
9				
10				
11	70289-G02		SPACER.....	4
12	00429-G4		BOLT, 3/8 - 16 X 3 1/2" LG.....	4
13	70290-G01		SHACKLE PLATE .....	4
14	11098-G5		LOCK NUT, 3/8 - 16 .....	1
15	70790-G01		SHOCK ABSORBER (REFRESHER) .....	2
16	70324-G01		SHOCK ABSORBER .....	2
17	10435-G1		WASHER (SHOCK ABSORBER) .....	8
18	10194-G1		RUBBER BUSHING.....	8
19	00532-G6		NUT, 3/8 - 24 .....	4
20				
21	70492-G01		RUBBER BUMPER.....	2
22	00968-G01		LOCK WASHER, 10 MM.....	2
23	00974-G01		NUT, M10 X 1.5.....	2







# REFRESHER UNIT

# Gasoline Vehicle

When ordering parts, please specify the model and serial number of the product.

\* Indicates a component that is not available as an individual part.

G\*\* Indicates consult Customer Service Department for additional information.

ITEM	PART NO.	1 2 3 4 5	DESCRIPTION	QTY.
1	74434-G01		REFRESHER UNIT (COMPLETE) (INCLUDES ITEMS 3 - 49).....	1
2				
3	35790-G01		BRACE.....	2
4	00440-G2		BOLT, 5/16 - 18 X 2 1/4" LG.....	4
5	00905-G8		LOCK WASHER, 5/16" (BLACK).....	4
6	11098-G6		LOCK NUT, 5/16 - 18.....	2
7				
8	74421-G01		REFRESHER UNIT MOUNTING FRAME (FRONT) .....	1
9	74392-G01		ENGINE ACCESS DOOR.....	1
10	33121-G01		ACCESS DOOR HINGE .....	1
11	00106-G6		SCREW, 12 - 24 X 3/4" LG .....	4
12	00414-G5		BOLT, 1/4 - 20 X 1/2" LG.....	4
13	00891-G2		LOCK NUT, 1/4 - 20.....	4
14	10570-G10		RIVET, 5/32" (STAINLESS STEEL) .....	2
15				
16	74394-G01		REFRESHER UNIT MOUNTING FRAME (REAR).....	1
17	74389-G01		SPACER .....	2
18	00438-G8		BOLT, 5/16 - 18 X 1" LG.....	4
19	00439-G8		BOLT, 5/16 - 18 X 2" LG.....	4
20	00559-G8		WASHER, 5/16" .....	8
21	11098-G6		LOCK NUT, 5/16 - 18.....	6
22				
23	74387-G01		SEAT BACK SUPPORT (DRIVER SIDE) .....	1
24	74387-G02		SEAT BACK SUPPORT (PASSENGER SIDE).....	1
25	74433-G01		SIDE COVER.....	2
26	00438-G8		BOLT, 5/16 - 18 X 1" LG.....	4
27	00559-G8		WASHER, 5/16" .....	4
28	11098-G6		LOCK NUT, 5/16 - 18.....	4
29	75045-G04		FRONT STRUT.....	1
30	75048-G01		SPACER .....	2

When ordering parts, please specify the model and serial number of the product.

\* Indicates a component that is not available as an individual part.

G\*\* Indicates consult Customer Service Department for additional information.

ITEM	PART NO.	1	2	3	4	5	DESCRIPTION	QTY.
31	00905-G8						LOCK WASHER, 5/16" (BLACK).....	4
32	00879-G1						WASHER, 3/8" X 1" .....	6
33	01035-G02						BOLT, 5/16 - 18 X 2 1/2" LG .....	4
34								
35	16705-G5						BOLT, 1/4 - 20 X 1 1/2" LG .....	2
36	00559-G7						WASHER, 1/4" .....	4
37	00891-G2						LOCK NUT, 1/4 - 20.....	2
38	74191-G01						TOP MOUNTING PLATE.....	1
39	36002-G01						DECAL (WARNING) .....	3
40	35991-G01						DECAL (WARNING) .....	1
41	74202-G01						MIRROR, 6" .....	2
42	74203-G01						MIRROR MOUNTING BRACKET.....	2
43	75021-G03						WINDSHIELD .....	1
44	16705-G6						BOLT, 1/4 - 20 X 1 3/4" LG .....	4
45	72147-G01						RUBBER GROMMET .....	4
46	23726-G7						SPACER .....	4
47	00660-G7						WASHER, 1/4" .....	8
48	00891-G2						LOCK NUT, 1/4 - 20.....	4
49	75124-G01						BUMPER .....	2
50								
51								
52							<b>ITEMS 53 - 60 NOT SHOWN</b>	
53	74346-G01						SIGN BOARD.....	2
54	75793-G01						CONDIMENT TRAY .....	1
55	75794-G01						BOTTLE CADDY.....	1
56	75795-G01						CASH DRAWER .....	1
57	75796-G01						MINI BOTTLE CARRIER .....	1
58	75797-G01						HUMIDOR .....	1
59	75798-G01						CREDIT CARD MACHINE MOUNT .....	1
60	75891-G01						FOOD WARMER.....	1

# REFRESHER UNIT

# Gasoline Vehicle

When ordering parts, please specify the model and serial number of the product.

\* Indicates a component that is not available as an individual part.

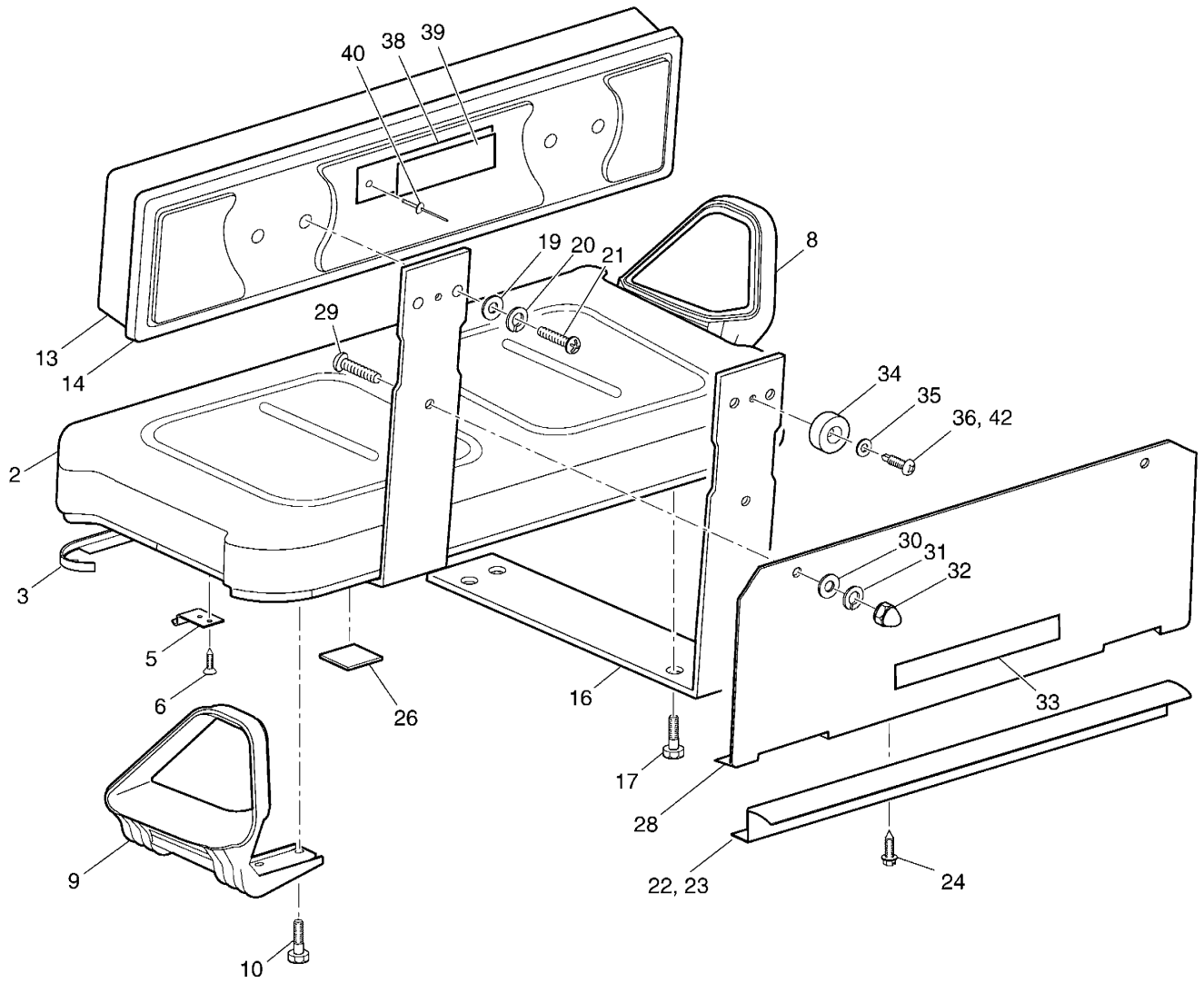
G\*\* Indicates consult Customer Service Department for additional information.

ITEM	PART NO.	1 2 3 4 5	DESCRIPTION	QTY.
61			<b>THE FOLLOWING SERVICE PARTS AND ACCESORIES ARE AVAILABLE FROM 19TH HOLE MARKETING, INC, 400 E. COMSTOCK DRIVE, CHANDLER, AZ 85225, PHONE: (480) 497 - 8280</b>	
62	EZRAM10064		CANOPY .....	1
63	H1092		SELF TAPPING SCREW, 10MM X 1/2" LG .....	40
64	EZRAM10060		CANOPY FRAME (REAR) .....	1
65	EZRAM10061		CANOPY FRAME (FRONT).....	1
66	H1075		BOLT, 1/4 - 20 X 2" .....	7
67	H1077		BOLT, 1/4 - 20 X 1 1/4" LG .....	2
68	H1079		WASHER, 1/4" .....	18
69	H1078		LOCK NUT, 1/4 - 20 .....	9
70				
71	H1083		BOLT, 5/16 - 18 X 1 1/4" LG .....	4
72	H1019		WASHER, 5/16" .....	8
73	H1017		LOCK NUT, 5/16 - 18 .....	4
74			<b>ITEMS 75 - 106 NOT SHOWN</b>	
75	EZRAM10033		COLD STORAGE DOOR, FRONT.....	1
76	EZRAM10037		COLD STORAGE DOOR, REAR.....	1
77	EZRAM10041		CONSUMABLE ICE DOOR .....	1
78	EZRAM10022		CANOPY UPRIGHT .....	1
79	EZRAM10069		HOSE MOUNTING BRACKET.....	1
80	H4007		COMPRESSION HINGE .....	1
81	EZRAM10075		TRASH DOOR HINGE .....	1
82	B6001		TRASH BIN .....	1
83	H4008		TRASH DOOR LATCH.....	1
84	EZRAM10045		TRASH DOOR COMPARTMENT.....	1
85	M6003		DOOR SEAL GASKET .....	1
86	H2006		LOCK (COLD STORAGE DOOR).....	1
87				
88	EZRAM10069		HOSE MOUNTING BRACKET.....	2
89	H5012		SPIGOT VALVE.....	2

When ordering parts, please specify the model and serial number of the product.  
 \* Indicates a component that is not available as an individual part.  
 G\*\* Indicates consult Customer Service Department for additional information.

ITEM	PART NO.	1	2	3	4	5	DESCRIPTION	QTY.
90	H5000						DRAIN HOSE, 36" LG.....	1
91	H5007						HOSE ADAPTER, 3/4" X 1/2".....	2
92	H5006						COMBINATION ELBOW.....	3
93	H5005						COMBINATION TEE.....	1
94	H1070						HOSE CLAMP.....	1
95								
96	B10000						TOUCH UP PAINT REPAIR KIT.....	1
97	EZRAM100010						DOOR ACCESSORY MODULE (LEFT).....	1
98	EZRAM100012						DOOR ACCESSORY MODULE (RIGHT).....	1
99	H4009						LOCKING LATCH.....	1
100	B9001						CUP DISPENSER.....	1
101	B9002						CUP DISPENSOR COVER RING.....	1
102	B9003						CUP DISPENSOR COVER SPRING.....	1
103	B6011						AIRPOT, 3.75 LITER (STAINLESS STEEL).....	1
104	EZRAM100020						AIRPOT RACK ASSEMBLY.....	1
105	H600						DOOR HINGE (STAINLESS STEEL).....	1
106	M1002						CUSHIONING ADHESIVE TAPE.....	1

1 - Includes Items 2, 3  
12 - Includes Items 13, 14



When ordering parts, please specify the model and serial number of the product.  
 \* Indicates a component that is not available as an individual part.  
 G\*\* Indicates consult Customer Service Department for additional information.

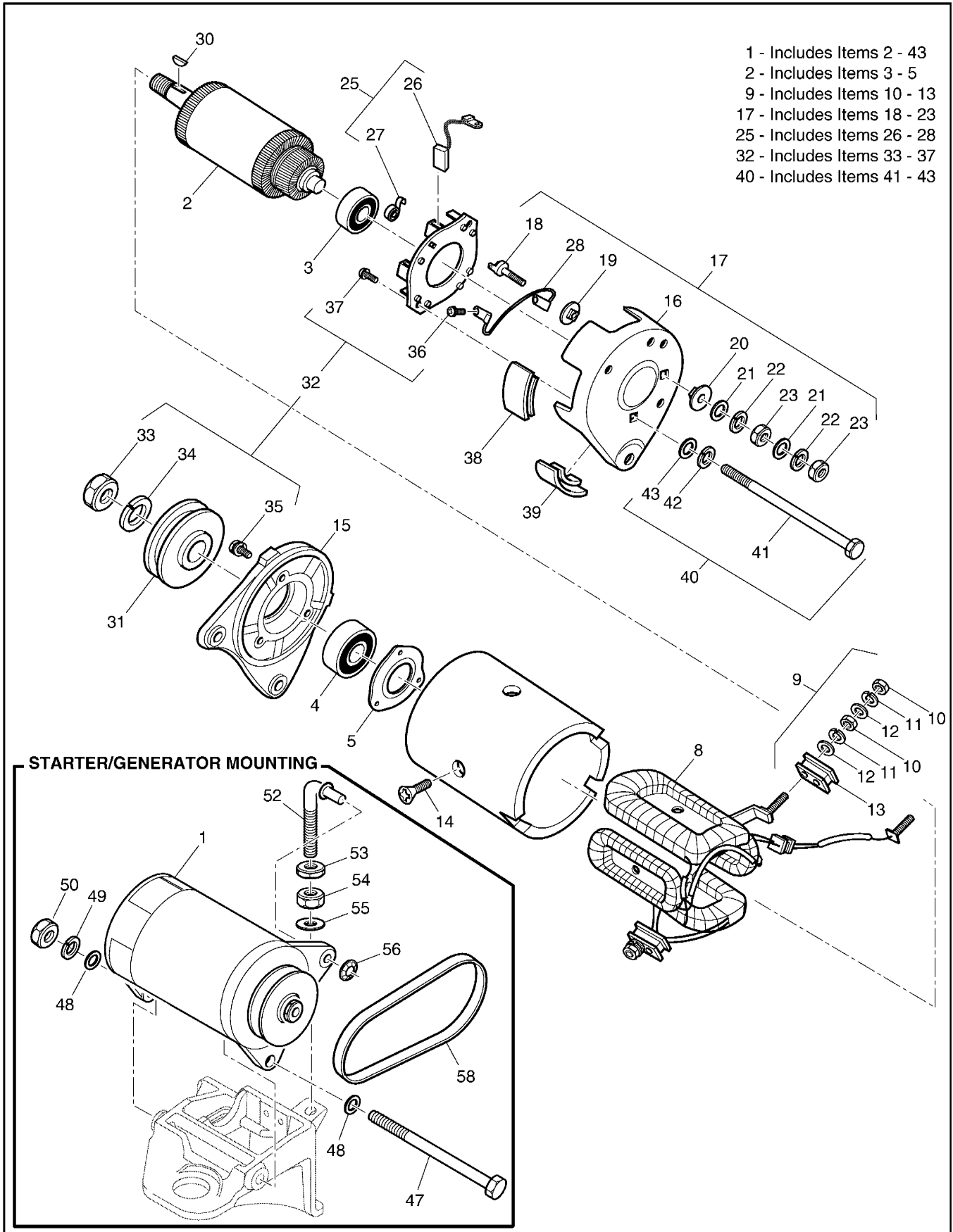
ITEM	PART NO.	1 2 3 4 5	DESCRIPTION	QTY.
1	71664-G**		SEAT BOTTOM ASSEMBLY (INCLUDES ITEMS 2, 3) .....	1
2	71602-G**		VINYL SEAT BOTTOM COVER .....	1
3	71012-G01		VINYL TRIM (SEAT BOTTOM).....	1
4				
5	71610-G01		SEAT HINGE.....	2
6	00720-G08		SCREW, #12 - 14 X 1" LG .....	6
7				
8	71701-G01		HIP RESTRAINT (PASSENGER SIDE).....	1
9	71702-G01		HIP RESTRAINT (DRIVER SIDE) .....	1
10	71204-G01		BOLT, 1/4 - 20 X 7/8" LG.....	8
11				
12	27546-G**		SEAT BACK ASSEMBLY (INCLUDES ITEMS 13, 14).....	1
13	18144-G**		VINYL SEAT BACK COVER .....	1
14	18868-G3		PLASTIC SEAT BACK COVER (BLACK) .....	1
15				
16	71662-G01		SEAT BACK SUPPORT BRACKET .....	2
17	71204-G01		BOLT, 1/4 - 20 X 7/8" LG.....	8
18				
19	00559-G7		WASHER, 1/4" .....	4
20	00565-G7		LOCK WASHER, 1/4" .....	4
21	16705-G1		SCREW, 1/4 - 20 X 1" LG .....	4
22	71762-G06		SEAL (REFRESHER) .....	1
23	71762-G02		SEAL .....	1
24	00114-G6		SCREW, 1/4 - 14 X 3/4" LG .....	2
25				
26	17074-G1		BUMPER.....	2
27				
28	71783-G01		SEAT SHIELD .....	1
29	16705-G3		SCREW, 1/4 - 20 X 3/4" LG .....	2
30	00559-G7		WASHER, 1/4" .....	2



When ordering parts, please specify the model and serial number of the product.  
 \* Indicates a component that is not available as an individual part.  
 G\*\* Indicates consult Customer Service Department for additional information.

ITEM	PART NO.	1 2 3 4 5	DESCRIPTION	QTY.
31	00565-G7		LOCK WASHER, 1/4".....	2
32	15158-G1		ACORN NUT, 1/4 - 20 .....	2
33	74093-G01		LABEL (WARNING).....	1
34	13728-G1		RUBBER BUMPER .....	2
35	00559-G5		WASHER, #10.....	2
36	00106-G6		SELF THREADING SCREW, #12 - 24 X 3/4" LG .....	2
37				
38	71211-G01		PLATE / LABEL (800 LB) (INCLUDES ITEM 39) .....	1
39	71517-G03		LABEL (800 LB).....	1
40	14601-G1		RIVET, 3/16" X 13/16" LG (ALUMINUM).....	2
41				
42	16705-G1		SCREW, 1/4 - 20 X 1" LG (REFRESHER).....	4





When ordering parts, please specify the model and serial number of the product.

\* Indicates a component that is not available as an individual part.

G\*\* Indicates consult Customer Service Department for additional information.

ITEM	PART NO.	1	2	3	4	5	DESCRIPTION	QTY.
1	27065-G01						STARTER / GENERATOR (INCLUDES ITEMS 2 - 43).....	1
2	26870-G01						ARMATURE (INCLUDES ITEMS 3 - 5).....	1
3	26871-G01						REAR BALL BEARING.....	1
4	26872-G01						FRONT BALL BEARING.....	1
5	26873-G01						BEARING HOLDER.....	1
6								
7								
8	26875-G01						FIELD COIL.....	1
9	26876-G01						INSULATING BRUSH ASSEMBLY ('F') (INCLUDES ITEMS 10 - 13).....	2
10	*						NUT.....	2
11	*						LOCK WASHER.....	2
12	*						WASHER.....	2
13	*						INSULATOR.....	1
14	26877-G01						POLE CORE SETSCREW.....	4
15	26878-G01						FRONT COVER.....	1
16	27879-G01						REAR COVER.....	1
17	26880-G01						TERMINAL ASSEMBLY ('A') (INCLUDES ITEMS 18 - 23).....	2
18	*						TERMINAL.....	2
19	*						INSULATOR.....	2
20	*						INSULATOR.....	2
21	*						WASHER.....	4
22	*						LOCK WASHER.....	4
23	*						NUT.....	4
24								
25	26881-G01						BRUSH HOLDER ASSEMBLY (INCLUDES ITEMS 26 - 28).....	1
26	26658-G01						BRUSH.....	4
27	26882-G01						BRUSH SPRING.....	4
28	26883-G01						BRUSH CONNECTOR.....	2
29								
30	26884-G01						KEY.....	1

**STARTER / GENERATOR****Gasoline Vehicle**

When ordering parts, please specify the model and serial number of the product.

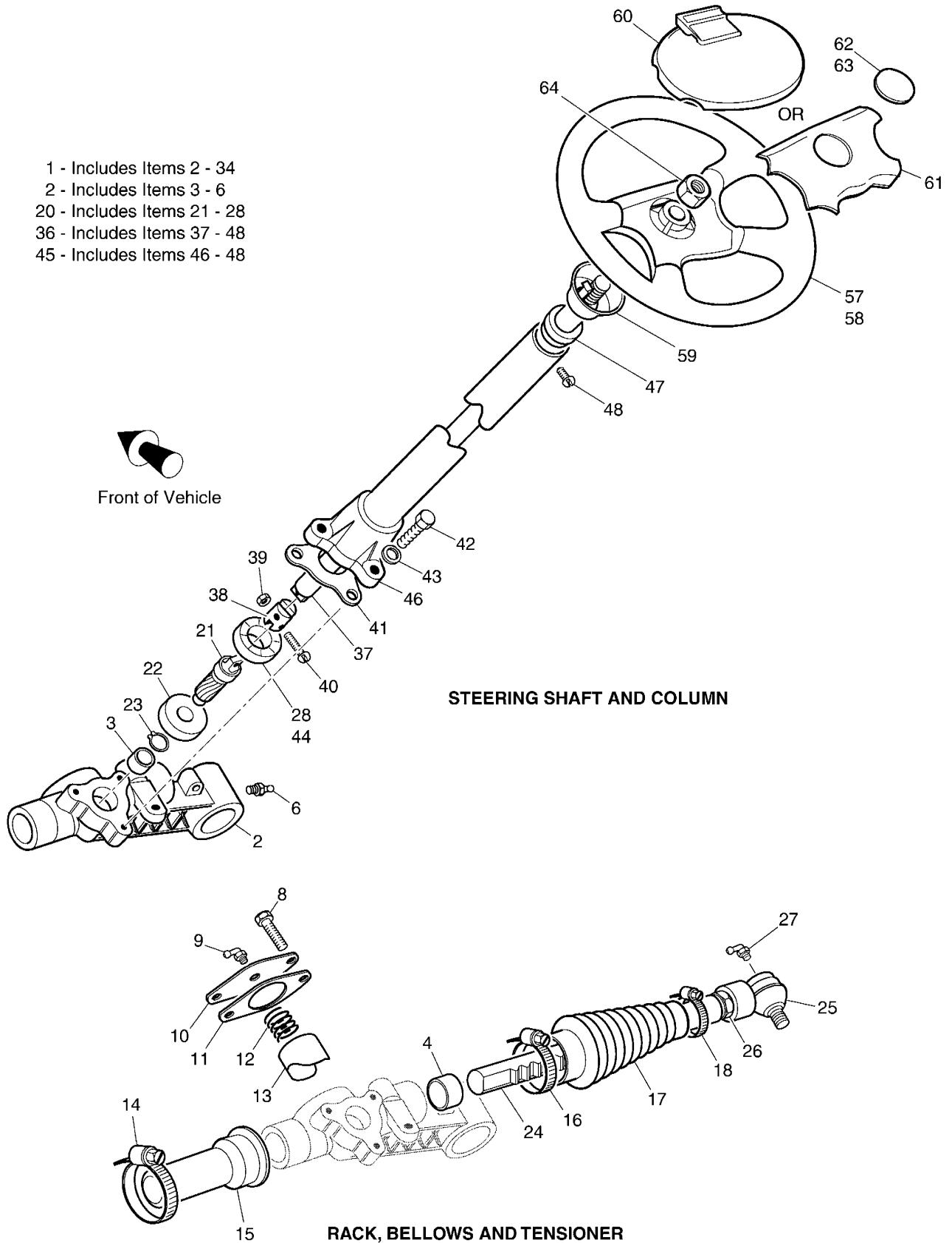
\* Indicates a component that is not available as an individual part.

G\*\* Indicates consult Customer Service Department for additional information.

ITEM	PART NO.	1	2	3	4	5	DESCRIPTION	QTY.
31	26885-G01						PULLEY .....	1
32	26886-G01						BRUSH AND PULLEY HARDWARE KIT (INCLUDES ITEMS 33 - 37).....	1
33	*						NUT .....	1
34	*						LOCK WASHER.....	1
35	*						SCREW .....	3
36	*						SCREW .....	4
37	*						SCREW .....	2
38	26887-G01						BRUSH 1 COVER.....	3
39	26888-G01						BRUSH 2 COVER.....	2
40	26889-G01						HOUSING HARDWARE KIT (INCLUDES ITEMS 41 - 43).....	2
41	*						BOLT .....	2
42	*						LOCK WASHER.....	2
43	*						WASHER.....	2
44								
45								
46								
47	00938-G4						BOLT, 1/2 - 13 X 8" LG .....	1
48	00560-G3						WASHER, 1/2" .....	2
49	00566-G3						LOCK WASHER, 1/2".....	1
50	00533-G1						NUT, 1/2 - 13 .....	1
51								
52	28617-G01						STARTER / GENERATOR ADJUSTER.....	1
53	00544-G5						JAM NUT, 3/8 - 16 .....	1
54	00532-G5						NUT, 3/8 - 16 .....	1
55	00560-G1						WASHER, 3/8" .....	1
56	12064-G4						PUSH NUT, 5/16" .....	1
57								
58	26414-G01						STARTER / GENERATOR BELT .....	1

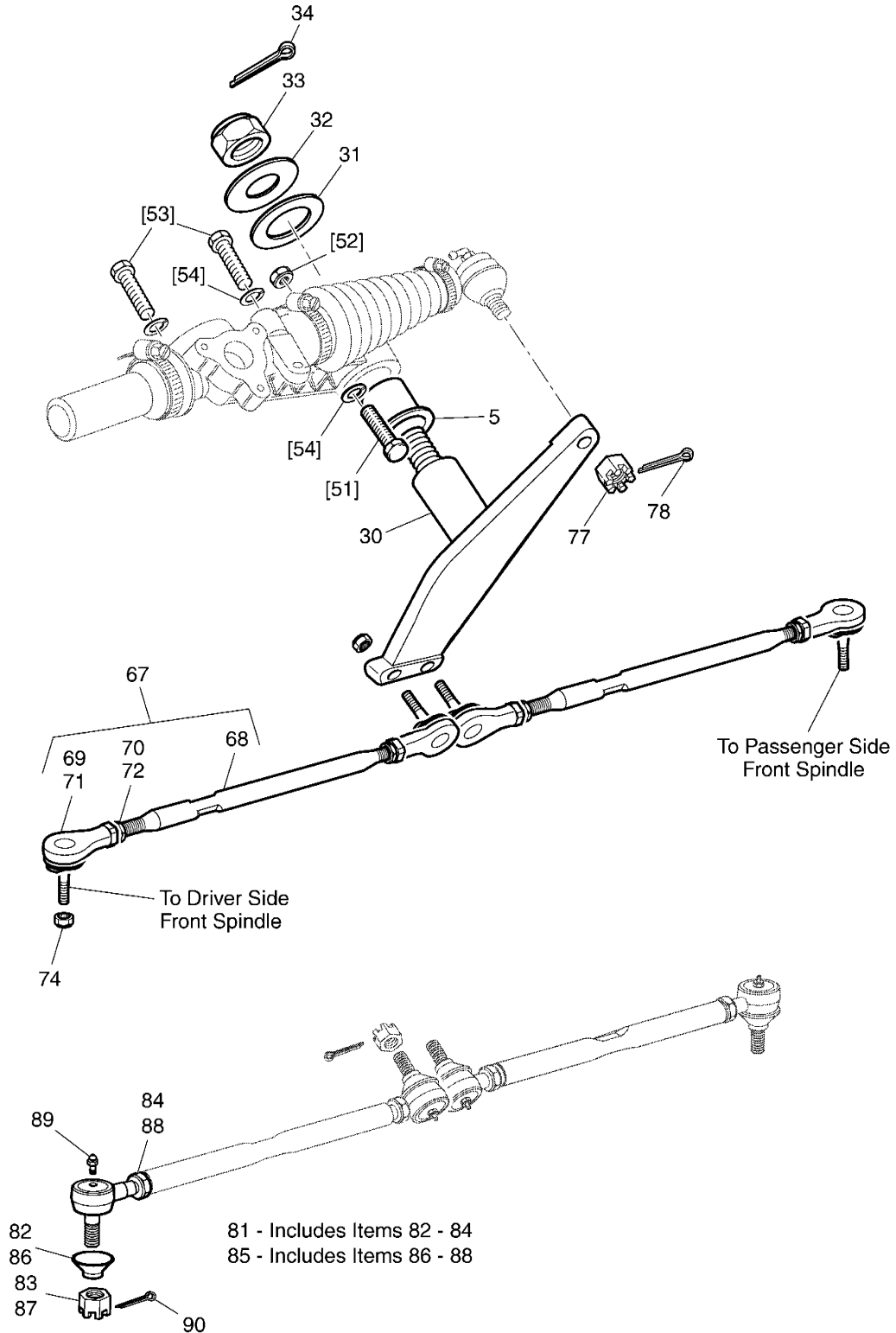


- 1 - Includes Items 2 - 34
- 2 - Includes Items 3 - 6
- 20 - Includes Items 21 - 28
- 36 - Includes Items 37 - 48
- 45 - Includes Items 46 - 48



**IDLER, TIE RODS AND MOUNTING**

#'s within [ ] is hardware to mount steering housing to vehicle frame





# STEERING (EARLY PRODUCTION)

# Gasoline Vehicle

When ordering parts, please specify the model and serial number of the product.

\* Indicates a component that is not available as an individual part.

G\*\* Indicates consult Customer Service Department for additional information.

ITEM	PART NO.	1	2	3	4	5	DESCRIPTION	QTY.
1	70723-G02						STEERING BOX ASSEMBLY (COMPLETE) (INCLUDES ITEMS 2 - 34) .....	1
2	75364-G01						STEERING HOUSING (INCLUDES ITEMS 3 - 6).....	1
3	*						SLEEVE BEARING .....	1
4	*						SLEEVE BEARING .....	1
5	*						FLANGED BEARING .....	1
6	10389-G3						GREASE FITTING, STRAIGHT .....	1
7								
8	00426-G6						BOLT, 3/8 - 16 X 3/4" LG .....	2
9	18456-G1						GREASE FITTING, 90° .....	1
10	70177-G01						RACK GUIDE COVER .....	1
11	70225-G01						GASKET .....	1
12	70178-G01						COMPRESSION SPRING .....	1
13	70179-G01						RACK GUIDE .....	1
14	11391-G1						HOSE CLAMP, 1 1/4" .....	1
15	70041-G01						RACK COVER.....	1
16	11391-G1						HOSE CLAMP, 1 1/4" .....	1
17	70183-G01						BELLOWS .....	1
18	11391-G5						HOSE CLAMP, 3/4" .....	1
19								
20	70724-G01						STEERING GEAR KIT (INCLUDES ITEMS 21 - 28).....	1
21	70717-G01						GEAR PINION.....	1
22	15112-G1						BALL BEARING .....	1
23	70190-G01						EXTERNAL RETAINING RING .....	1
24	70718-G01						STEERING RACK .....	1
25	70192-G01						RACK BALL END .....	1
26	00532-G8						NUT, 7/16 - 20 .....	1
27	18456-G1						GREASE FITTING, 90° .....	1
28	70466-G01						RETAINER .....	1
29								
30	70184-G01						IDLER.....	1

When ordering parts, please specify the model and serial number of the product.

\* Indicates a component that is not available as an individual part.

G\*\* Indicates consult Customer Service Department for additional information.

ITEM	PART NO.	1 2 3 4 5	DESCRIPTION	QTY.
31	70216-G01		THRUST WASHER, 1 1/2" .....	1
32	70195-G01		THRUST WASHER, 7/8" .....	1
33	00734-G6		LOCK NUT, 7/8 - 9.....	1
34	00798-G8		COTTER PIN, 5/32" X 1 3/4" LG .....	1
35				
36	70360-G01		STEERING SHAFT/COLUMN KIT (INCLUDES ITEMS 37 - 48) .....	1
37	14322-G6		STEERING SHAFT.....	1
38	70558-G01		COUPLING.....	1
39	00550-G1		LOCK NUT, 1/4 - 20.....	2
40	70227-G01		SCREW, 1/4 - 20 X 7/8" LG.....	2
41	70223-G01		GASKET .....	1
42	01034-G01		BOLT, 3/8 - 16 X 1 1/2" LG WITH PATCHLOCK .....	3
43	00878-G1		LOCK WASHER, 3/8".....	3
44	70466-G01		RETAINER.....	1
45	28633-G01		STEERING COLUMN KIT (INCLUDES ITEMS 46 - 48) .....	1
46	*		STEERING COLUMN .....	1
47	28569-G01		STEERING COLUMN BUSHING .....	1
48	01022-G01		SCREW, #6 - 20 X 5/16" LG .....	1
49				
50				
51	00470-G4		BOLT, 7/16 - 20 X 2 1/2" LG.....	1
52	00734-G3		LOCK NUT, 7/16 - 20 .....	1
53	01033-G01		BOLT, 7/16 - 14 X 1 1/4" LG WITH PATCHLOCK .....	2
54	00566-G2		LOCK WASHER, 7/16".....	3
55				
56				
57	71948-G01		STEERING WHEEL .....	1
58	71146-G01		STEERING WHEEL (LX/SE).....	1
59	71949-G01		HUB COVER.....	1
60	71950-G01		CLIPBOARD .....	1

**STEERING (EARLY PRODUCTION)****Gasoline Vehicle**

When ordering parts, please specify the model and serial number of the product.

\* Indicates a component that is not available as an individual part.

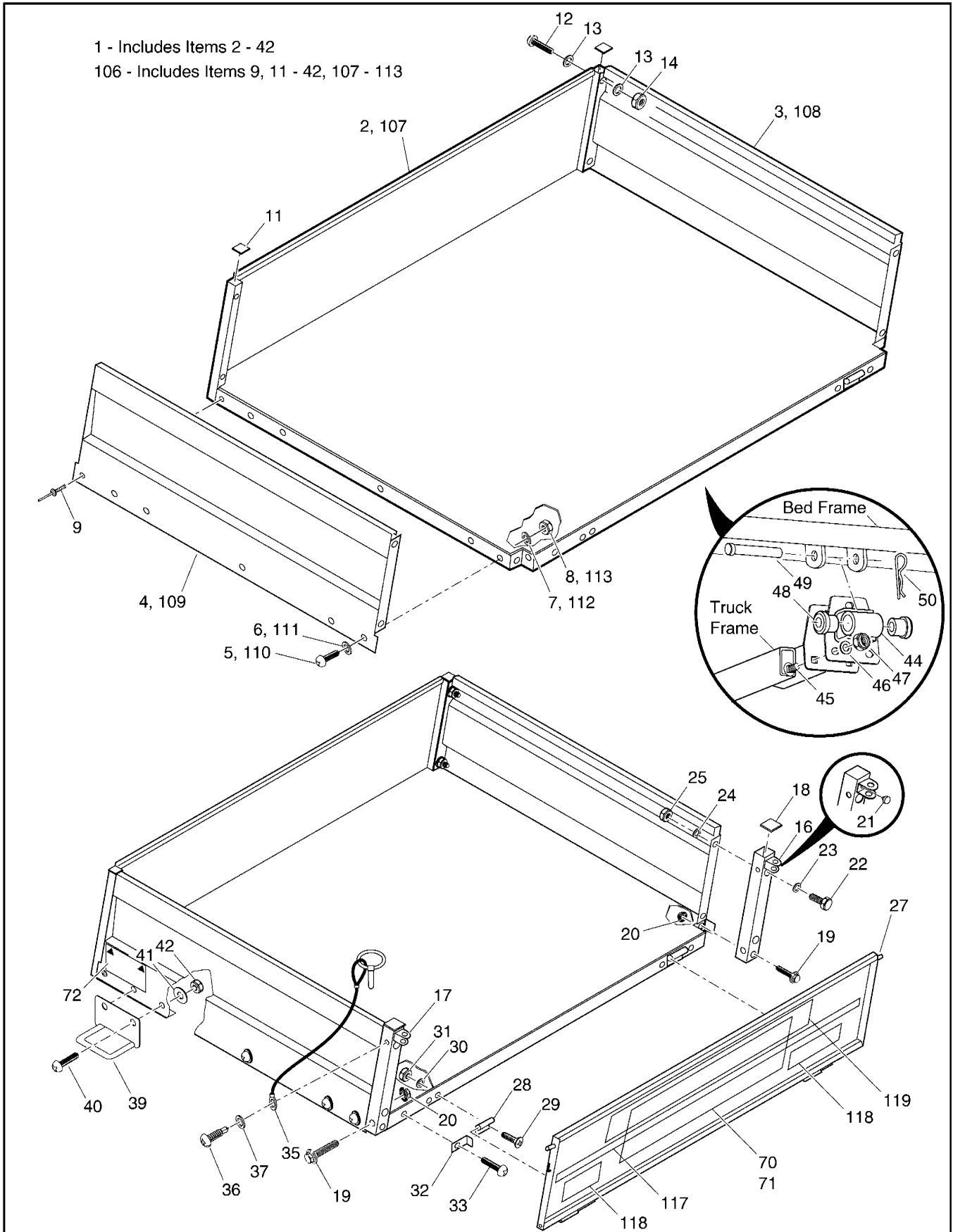
G\*\* Indicates consult Customer Service Department for additional information.

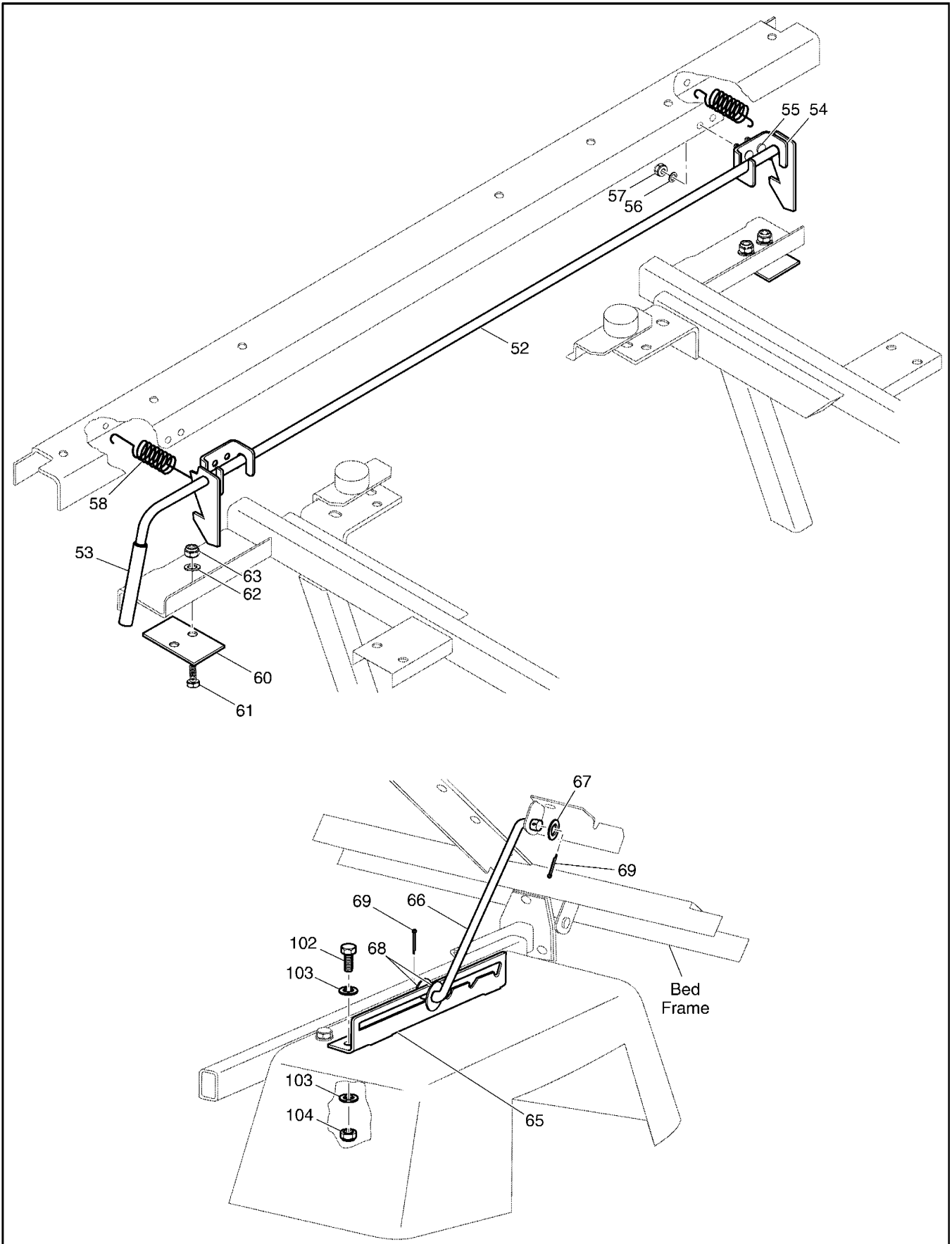
ITEM	PART NO.	1 2 3 4 5	DESCRIPTION	QTY.
61	71147-G01		STEERING WHEEL COVER .....	1
62	71047-G01		DECAL (E-Z-GO) .....	1
63	74405-G01		DECAL (CUSHMAN).....	1
64	14390-G2		LOCK NUT, 5/8 - 18 .....	1
65				
66				
67	70904-G02		TIE ROD ASSEMBLY (INCLUDES ITEMS 68 - 72).....	2
68	70855-G02		THREADED ROD (24" LG) .....	1
69	70902-G01		TIE ROD END (LEFT HAND THREADS) .....	1
70	01069-G01		JAM NUT, M12 X 1.25-05 (LEFT HAND THREADS) .....	1
71	70902-G02		TIE ROD END (RIGHT HAND THREADS) .....	1
72	01069-G02		JAM NUT, M12 X 1.25-05 (RIGHT HAND THREADS).....	1
73				
74	00734-G1		LOCK NUT, 7/16 - 14 .....	4
75				
76				
77	50209-G2		SLOTTED NUT, 7/16 - 20.....	1
78	10387-G2		COTTER PIN, 3/32" X 1" LG.....	1
79				
80				
81	27205-G01		TIE ROD END (LEFT HAND THREAD) (INCLUDES ITEMS 82 - 84) .....	1
82	50641-G1		RUBBER BOOT .....	1
83	50209-G2		SLOTTED NUT, 7/16 - 20.....	1
84	18434-G3		JAM NUT, 9/16 - 18 (LEFT HAND THREAD) .....	1
85	27205-G02		TIE ROD END (RIGHT HAND THREAD) (INCLUDES ITEMS 86 - 88).....	1
86	50641-G1		RUBBER BOOT .....	1
87	50209-G2		SLOTTED NUT, 7/16 - 20.....	1
88	18434-G4		JAM NUT, 9/16 - 18 (RIGHT HAND THREAD).....	1
89	10389-G3		GREASE FITTING, STRAIGHT .....	2
90	10387-G2		COTTER PIN, 3/32" X 1" LG.....	4

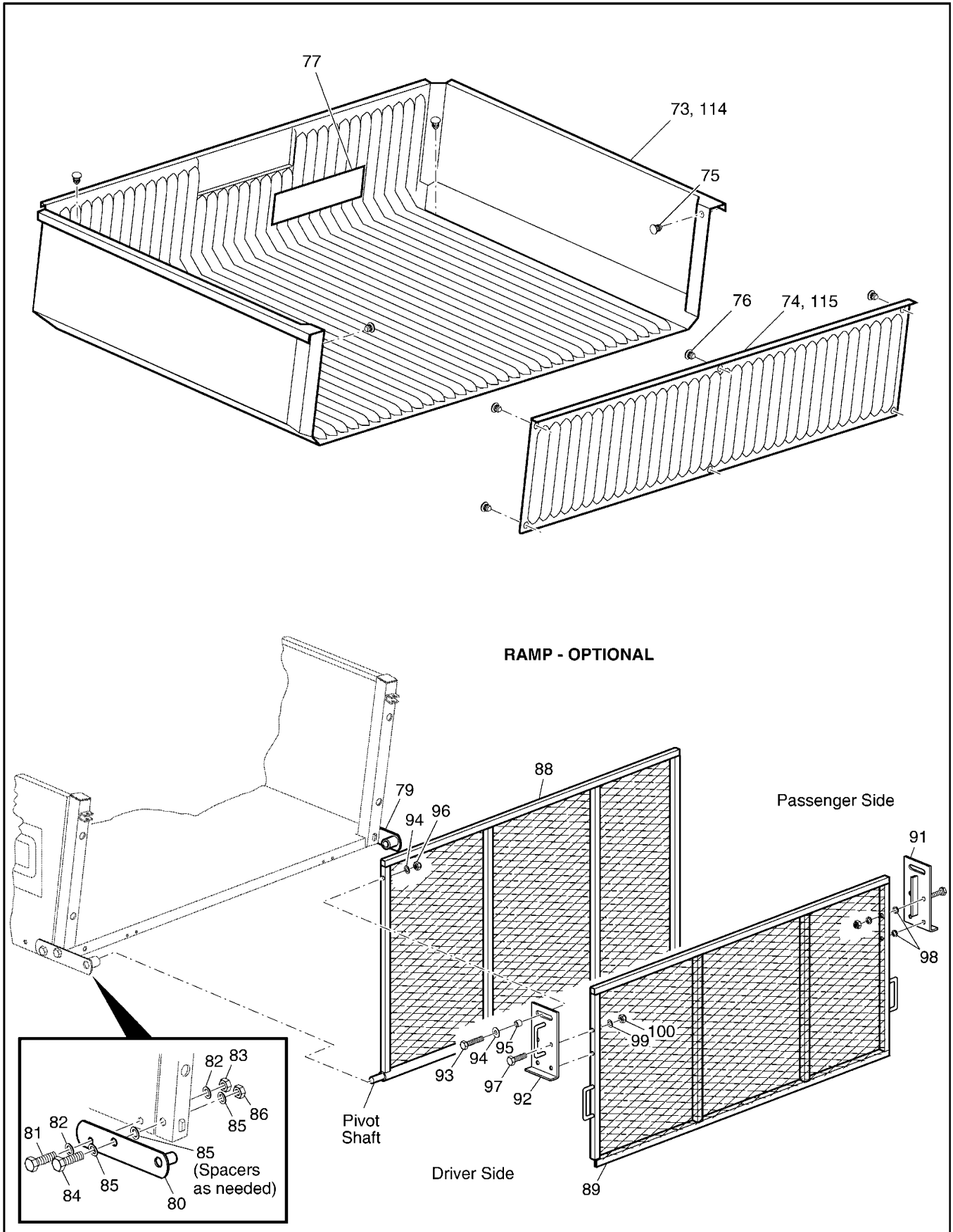


1 - Includes Items 2 - 42

106 - Includes Items 9, 11 - 42, 107 - 113







When ordering parts, please specify the model and serial number of the product.

\* Indicates a component that is not available as an individual part.

G\*\* Indicates consult Customer Service Department for additional information.

ITEM	PART NO.	1	2	3	4	5	DESCRIPTION	QTY.
1	71711-G03						TRUCK BED ASSEMBLY (40") (INCLUDES ITEMS 2 - 42).....	1
2	71719-G01						BED FRAME (40") .....	1
3	71714-G01						SIDE PANEL (40", PASSENGER SIDE).....	1
4	71714-G02						SIDE PANEL (40", DRIVER SIDE) .....	1
5	16705-G3						SCREW, 1/4 - 20 X 3/4" LG .....	8
6	00915-G1						BONDED WASHER, 1/4" .....	8
7	00559-G7						WASHER, 1/4" .....	8
8	14390-G4						LOCK NUT, 1/4 - 20.....	8
9	14601-G8						RIVET, 3/8" X 11/16" LG (ALUMINUM) .....	2
10								
11	71717-G01						END CAP 1" .....	2
12	16705-G6						SCREW, 1/4 - 20 X 1 3/4" LG .....	4
13	00915-G1						BONDED WASHER, 1/4" .....	8
14	14390-G4						LOCK NUT, 1/4 - 20.....	4
15								
16	71837-G01						POST (PASSENGER SIDE) .....	1
17	71837-G02						POST (DRIVER SIDE).....	1
18	71718-G01						TUBE CAP (1 1/2" SQUARE).....	2
19	13437-G8						LOCK SCREW, 3/8 - 20.....	4
20	11027-G5						LOCK NUT, 3/8 - 16.....	4
21	71838-G01						BUMPER .....	2
22	16705-G3						BOLT, 1/4 - 20 X 3/4" LG .....	4
23	00915-G1						WASHER, 1/4" .....	4
24	00559-G7						WASHER, 1/4" .....	4
25	14390-G4						LOCK NUT, 1/4 - 20.....	4
26								
27	71732-G01						TAILGATE.....	1
28	27666-G01						HINGE .....	2
29	01002-G08						BOLT, 1/4 - 20 X 1" LG .....	4
30	00559-G7						WASHER, 1/4" .....	4



# TRUCK BED, MANUAL LIFT

# Gasoline Vehicle

When ordering parts, please specify the model and serial number of the product.

\* Indicates a component that is not available as an individual part.

G\*\* Indicates consult Customer Service Department for additional information.

ITEM	PART NO.	1	2	3	4	5	DESCRIPTION	QTY.
31	14390-G4						LOCK NUT, 1/4 - 20.....	4
32	71748-G01						TAILGATE KEEPER .....	1
33	16705-G3						SCREW, 1/4 - 20 X 3/4" LG.....	1
34								
35	71083-G01						TAILGATE CABLE .....	2
36	00106-G6						SELF-TAPPING SCREW, #12 - 24 X 3/4" LG .....	2
37	00915-G1						WASHER, 1/4".....	2
38								
39	71794-G01						LIFT HANDLE .....	1
40	00976-G08						SCREW, 5/16 - 18 X 1" LG.....	2
41	00559-G8						WASHER, 5/16".....	2
42	11098-G6						LOCK NUT, 5/16 - 18.....	2
43								
44	70396-G01						BED PIVOT .....	2
45	00764-G2						CARRIAGE BOLT, 5/16 X 1" LG .....	6
46	00559-G8						WASHER, 5/16" .....	6
47	11098-G6						LOCK NUT, 5/16 - 18 .....	6
48	70291-G01						RUBBER BUSHING.....	4
49	21682-G1						CLEVIS PIN, 1/2" x 2 7/8" LG .....	2
50	21683-G1						COTTER PIN, 15/32" X 2 11/16".....	2
51								
52	71831-G01						BED LATCH .....	1
53	71704-G01						HANDLE GRIP .....	1
54	71827-G01						LATCH BRACKET.....	2
55	01014-G03						CARRIAGE BOLT, 1/4 - 20 X 3/4" LG .....	4
56	00559-G7						WASHER, 1/4" .....	4
57	14390-G4						LOCK NUT, 1/4 - 20 .....	4
58	71707-G02						EXTENSION SPRING.....	2
59								
60	71766-G01						CATCH BRACKET .....	2

When ordering parts, please specify the model and serial number of the product.

\* Indicates a component that is not available as an individual part.

G\*\* Indicates consult Customer Service Department for additional information.

ITEM	PART NO.	1	2	3	4	5	DESCRIPTION	QTY.
61	00414-G6						BOLT, 1/4 - 20 X 3/4" LG.....	4
62	00559-G7						WASHER, 1/4" .....	4
63	14390-G4						LOCK NUT, 1/4 - 20 .....	4
64								
65	71673-G01						PROP BRACKET .....	1
66	71657-G01						PROP ROD .....	1
67	00560-G3						WASHER, 1/2" .....	1
68	15121-G1						WASHER, 1 1/4" X 3/8".....	2
69	10387-G3						COTTER PIN, 3/32 X 3/4" LG .....	2
70	71901-G01						DECAL (E-Z-GO) .....	1
71	74411-G01						DECAL (CUSHMAN).....	1
72	71771-G01						LABEL (TILT WARNING) .....	1
73	74234-G01						BED LINER, 40" .....	1
74	74235-G01						TAILGATE LINER.....	1
75	18436-G1						RIVET, 1/4" X 1/2" LG .....	4
76	14601-G10						RIVET, 3/16" X 3/8" LG .....	6
77	71517-G03						SAFETY DECAL .....	1
78								
79	28331-G01						RAMP SUPPORT (PASSENGER SIDE).....	1
80	28331-G02						RAMP SUPPORT (DRIVER SIDE) .....	1
81	00438-G8						BOLT, 5/16 - 18 X 1" LG.....	2
82	00559-G8						WASHER, 5/16" .....	4
83	11098-G6						LOCK NUT, 5/16 - 18 .....	2
84	00428-G6						BOLT, 3/8 - 16 X 2 3/4" LG.....	2
85	00562-G1						WASHER, 3/8" .....	6
86	11098-G5						LOCK NUT, 3/8 - 16 .....	2
87								
88	20264-G1						UPPER RAMP .....	1
89	20257-G2						LOWER RAMP.....	1
90								

**TRUCK BED, MANUAL LIFT****Gasoline Vehicle**

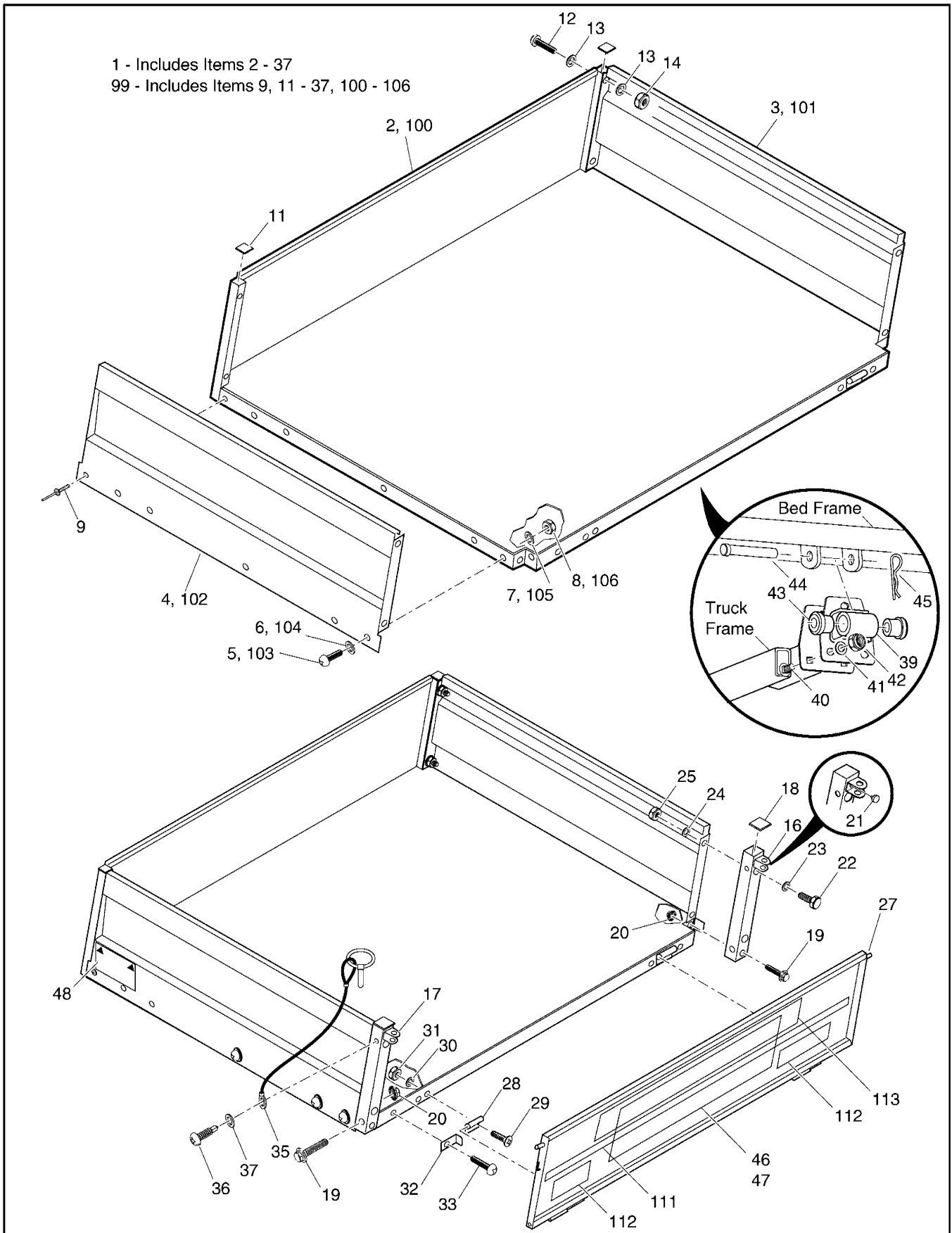
When ordering parts, please specify the model and serial number of the product.

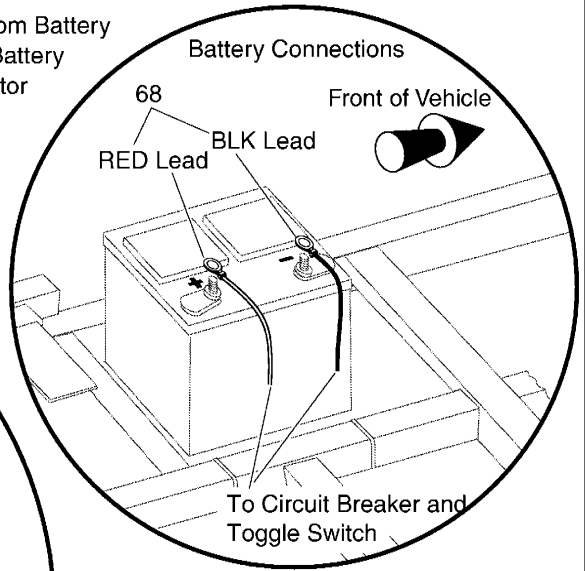
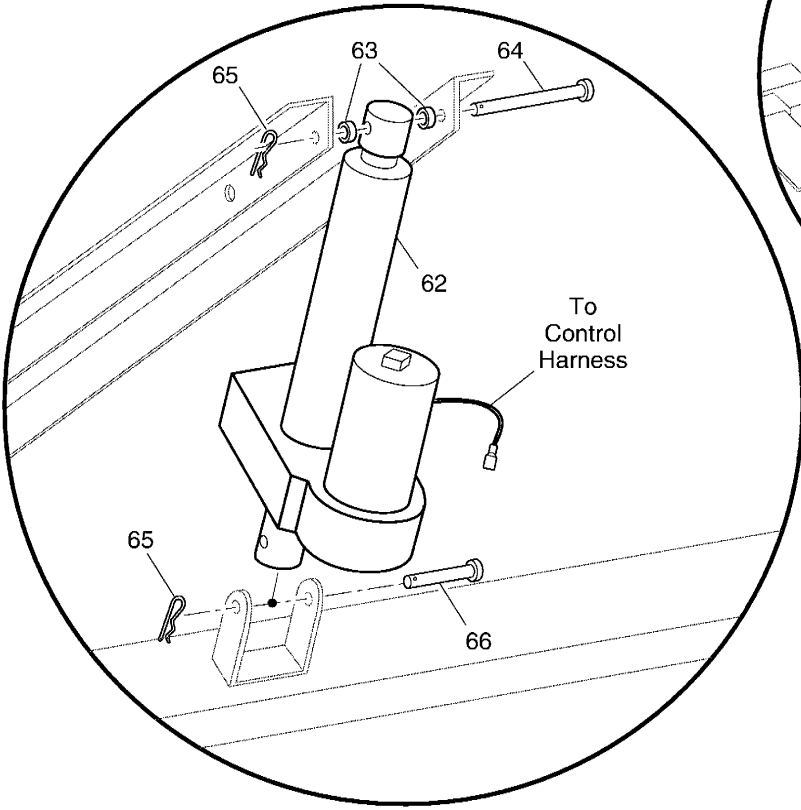
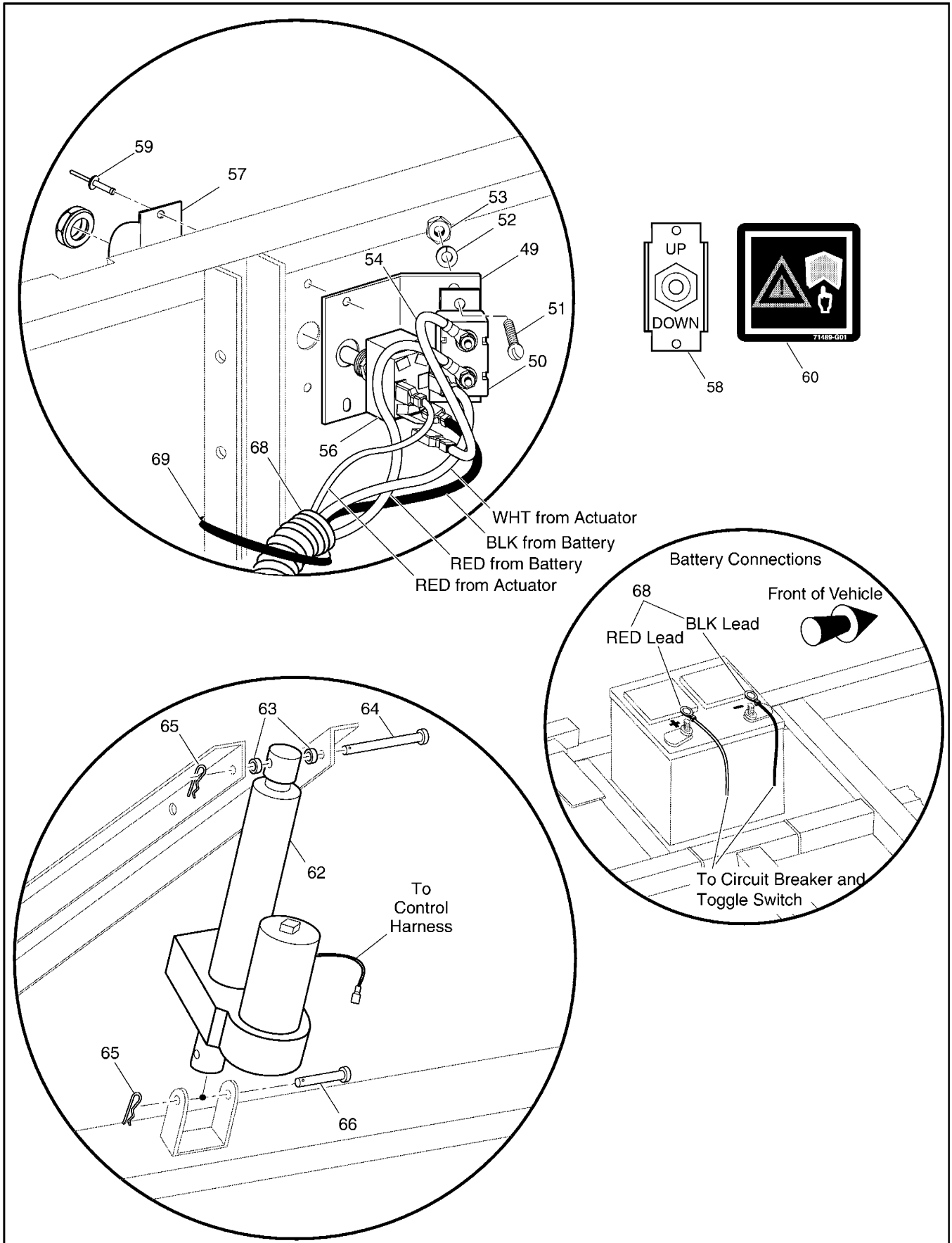
\* Indicates a component that is not available as an individual part.

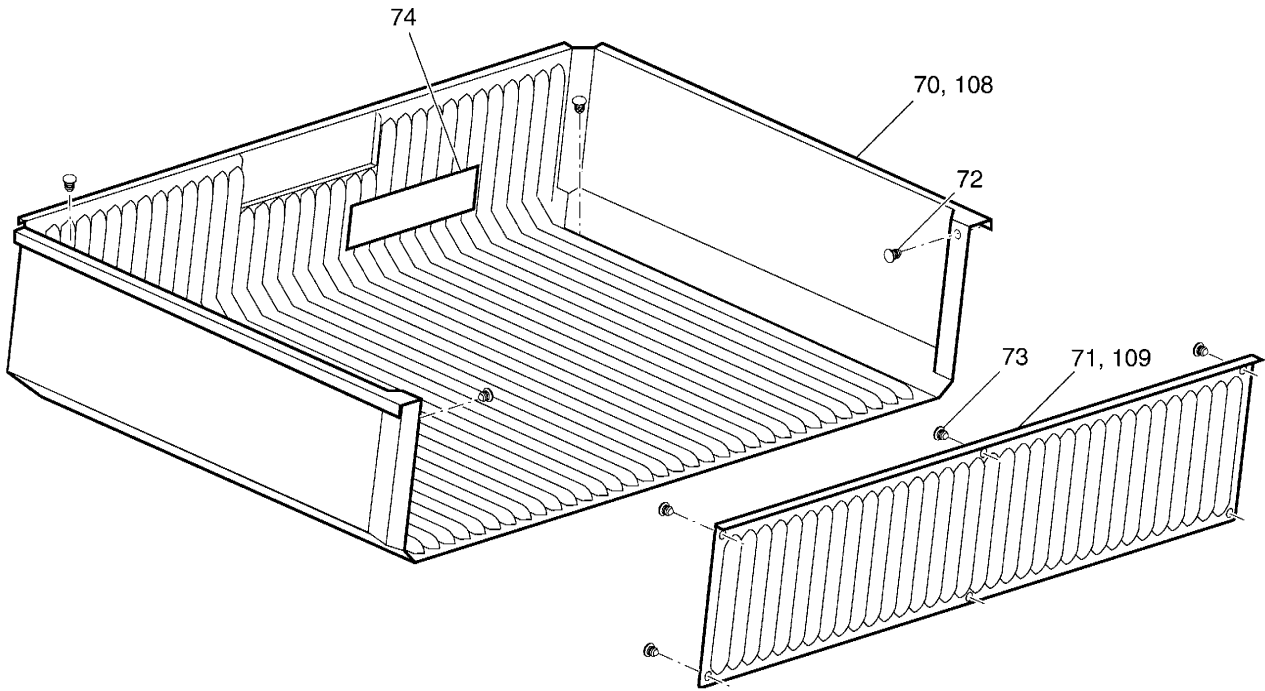
G\*\* Indicates consult Customer Service Department for additional information.

ITEM	PART NO.	1 2 3 4 5	DESCRIPTION	QTY.
91	20252-G1		PIVOT (PASSENGER SIDE) .....	1
92	20252-G2		PIVOT (DRIVER SIDE) .....	1
93	00427-G8		BOLT, 3/8 - 16 X 2" LG .....	2
94	00562-G1		WASHER, 3/8" .....	4
95	20275-G1		PIVOT SPACER .....	2
96	11098-G5		LOCK NUT, 3/8 - 16 .....	2
97	00439-G6		BOLT, 5/16 - 18 X 1 3/4" LG .....	4
98	00569-G2		WASHER, 5/16" .....	4
99	00559-G8		WASHER, 5/16" .....	4
100	11098-G6		LOCK NUT, 5/16 - 18 .....	4
101				
102	XXXXX-XX		BOLT, 1/4 - 20 X 7/8" LG (SEE BODY SECTION)	
103	XXXXX-XX		WASHER, 1/4" (SEE BODY SECTION)	
104	XXXXX-XX		LOCK NUT, 1/4 - 20 (SEE BODY SECTION)	
105				
106	71711-G04		TRUCK BED ASSEMBLY 48" (MANUAL DUMP) (INCLUDES ITEMS 9, 11- 42, 107 - 113).....	1
107	71719-G02		BED FRAME, 48" .....	1
108	71742-G01		SIDE PANEL (48", PASSENGER SIDE).....	1
109	71742-G02		SIDE PANEL, (48", DRIVER SIDE) .....	1
110	16705-G3		SCREW, 1/4 - 20 X 3/4" LG .....	10
111	00915-G1		BONDED WASHER, 1/4" .....	10
112	00559-G7		WASHER, 1/4" .....	10
113	14390-G4		LOCK NUT, 1/4 - 20.....	10
114	74033-G02		BED LINER, 48" .....	1
115	74036-G01		TAILGATE LINER, 48" .....	1
116				
117	71789-G01		DECAL, STRIPE .....	1
118	71790-G01		DECAL (4 CYCLE 11 H.P. OHC / 1110 HAULER) .....	1
119	71791-G01		DECAL (JACOBSEN) .....	1

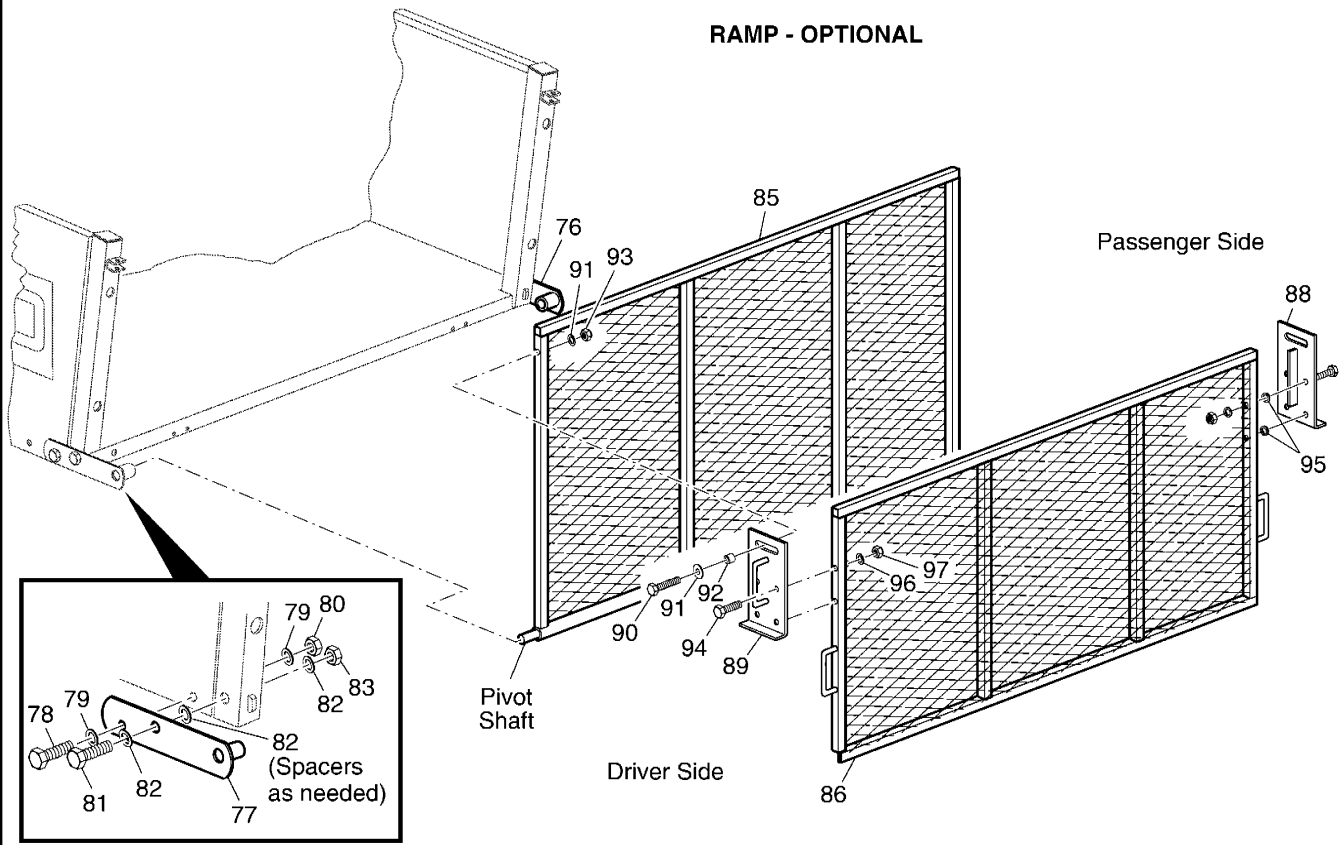








RAMP - OPTIONAL



When ordering parts, please specify the model and serial number of the product.

\* Indicates a component that is not available as an individual part.

G\*\* Indicates consult Customer Service Department for additional information.

ITEM	PART NO.	1	2	3	4	5	DESCRIPTION	QTY.
1	71711-G01						TRUCK BED ASSEMBLY 40" (INCLUDES ITEMS 2-37) .....	1
2	71719-G01						BED FRAME (40") .....	1
3	71714-G01						SIDE PANEL (40" PASSENGER SIDE).....	1
4	71714-G02						SIDE PANEL (40" DRIVER SIDE) .....	1
5	16705-G3						SCREW, 1/4 - 20 X 3/4" LG .....	10
6	00915-G1						BONDED WASHER, 1/4" .....	10
7	00559-G7						WASHER, 1/4" .....	10
8	14390-G4						LOCK NUT, 1/4 - 20.....	10
9	14601-G8						RIVET, 3/8" X 11/16" LG (ALUMINUM) .....	2
10								
11	71717-G01						END CAP, 1" .....	2
12	16705-G6						SCREW, 1/4 - 20 X 1 3/4" LG .....	4
13	00915-G1						WASHER, 1/4" .....	8
14	14390-G4						LOCK NUT, 1/4 - 20.....	4
15								
16	71837-G01						POST (PASSENGER SIDE) .....	1
17	71837-G02						POST (DRIVER SIDE).....	1
18	71718-G01						END CAP, 1 1/2" .....	2
19	13437-G8						LOCK SCREW, 3/8 - 16 X 2" LG .....	4
20	11027-G5						LOCK NUT, 3/8 - 16.....	4
21	71838-G01						BUMPER .....	2
22	16705-G3						SCREW, 1/4 - 20 X 3/4" LG .....	4
23	00915-G1						BONDED WASHER, 1/4" .....	4
24	00559-G7						WASHER, 1/4" .....	4
25	14390-G4						LOCK NUT, 1/4 - 20.....	4
26								
27	71732-G01						TAILGATE.....	1
28	27666-G01						HINGE .....	2
29	01002-G08						SCREW, 1/4 - 20 X 1" LG .....	4
30	00559-G7						WASHER, 1/4" .....	4



**TRUCK BED, ELECTRIC LIFT****Gasoline Vehicle**

When ordering parts, please specify the model and serial number of the product.

\* Indicates a component that is not available as an individual part.

G\*\* Indicates consult Customer Service Department for additional information.

ITEM	PART NO.	1 2 3 4 5	DESCRIPTION	QTY.
31	14390-G4		LOCK NUT, 1/4 - 20.....	4
32	71748-G01		TAILGATE KEEPER .....	1
33	16705-G3		SCREW, 1/4 - 20 X 3/4" LG.....	1
34				
35	71083-G01		TAILGATE CABLE .....	2
36	00106-G6		SELF-THREADING SCREW, #12 - 24 X 3/4" LG .....	2
37	00915-G1		WASHER, 1/4".....	2
38				
39	70396-G01		BED PIVOT .....	2
40	00764-G1		CARRIAGE BOLT, 5/16 - 18 X 3/4" LG .....	6
41	00559-G8		WASHER, 5/16" .....	6
42	11098-G6		LOCK NUT, 5/16 - 18 .....	6
43	70291-G01		FLANGED BUSHING.....	4
44	21682-G1		CLEVIS PIN, 1/2" X 2 7/8" LG.....	2
45	21683-G1		COTTER PIN, 15/32" X 2 11/16" LG.....	2
46	71901-G01		DECAL (E-Z-GO) .....	1
47	74411-G01		DECAL (CUSHMAN).....	1
48	71771-G01		LABEL (TILT WARNING) .....	1
49	74165-G01		CIRCUIT BREAKER MOUNTING BRACKET.....	1
50	21320-G3		CIRCUIT BREAKER, 30 AMP, 12V.....	1
51	00150-G4		SCREW, #10 - 24 X 1/2" LG .....	2
52	00565-G5		LOCK WASHER, #10.....	2
53	00526-G3		NUT, #10 - 24.....	2
54	25976-G14		14 GA WIRE (RED 5") .....	1
55				
56	27680-G01		TOGGLE SWITCH .....	1
57	27447-G01		TOGGLE GUARD (INCLUDES ITEM 58) .....	1
58	27446-G01		LABEL.....	1
59	10570-G9		RIVET, 1/8" X 11/32" LG.....	2
60	71489-G01		SAFETY DECAL .....	1

When ordering parts, please specify the model and serial number of the product.

\* Indicates a component that is not available as an individual part.

G\*\* Indicates consult Customer Service Department for additional information.

ITEM	PART NO.	1 2 3 4 5	DESCRIPTION	QTY.
61				
62	27612-G02		ELECTRIC ACTUATOR.....	1
63	27613-G01		SPACER.....	2
64	14443-G10		CLEVIS PIN, 1/2" X 3" LG.....	1
65	21683-G1		COTTER PIN, 2 11/16" LG.....	2
66	14443-G11		CLEVIS PIN, 1/2" X 1 7/8" LG.....	1
67				
68	74163-G01		WIRE HARNESS .....	1
69	17618-G1		WIRE TIE .....	8
70	74234-G01		BED LINER, 40" .....	1
71	74235-G01		TAILGATE LINER.....	1
72	18436-G1		RIVET, 1/4" X 1/2" LG .....	4
73	14601-G10		RIVET, 3/16" X 3/8" LG .....	6
74	71517-G03		SAFETY DECAL .....	1
75				
76	28331-G01		RAMP SUPPORT (PASSENGER SIDE).....	1
77	28331-G02		RAMP SUPPORT (DRIVER SIDE) .....	1
78	00438-G8		BOLT, 5/16 - 18 X 1" LG.....	2
79	00559-G8		WASHER, 5/16" .....	4
80	11098-G6		LOCK NUT, 5/16 - 18 .....	2
81	00428-G6		BOLT, 3/8 - 16 X 2 3/4" LG.....	2
82	00562-G1		WASHER, 3/8" .....	6
83	11098-G5		LOCK NUT, 3/8 - 16 .....	2
84				
85	20264-G1		UPPER RAMP .....	1
86	20257-G2		LOWER RAMP.....	1
87				
88	20252-G1		PIVOT (PASSENGER SIDE) .....	1
89	20252-G2		PIVOT (DRIVER SIDE) .....	1
90	00427-G8		BOLT, 3/8 - 16 X 2" LG.....	2

**TRUCK BED, ELECTRIC LIFT****Gasoline Vehicle**

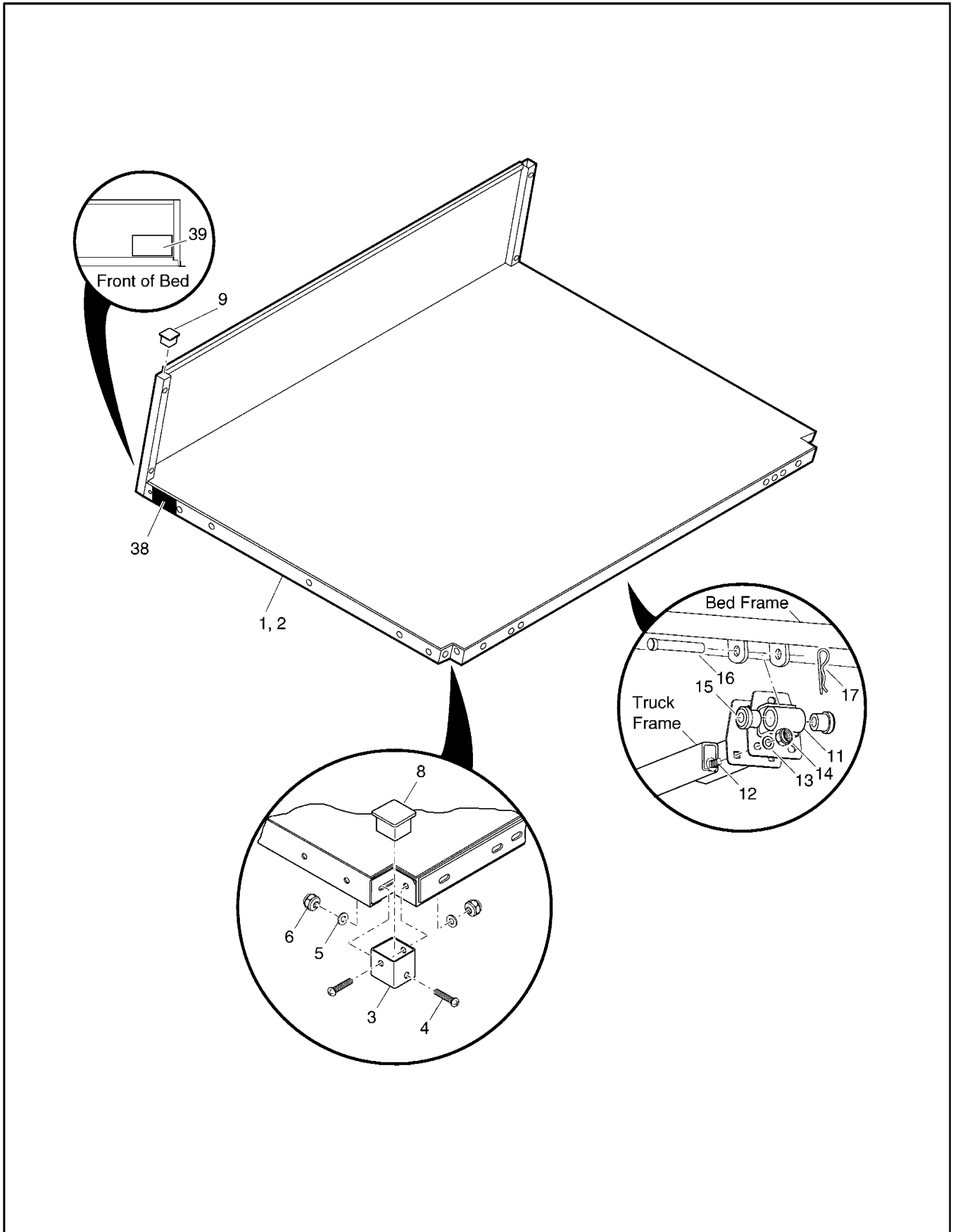
When ordering parts, please specify the model and serial number of the product.

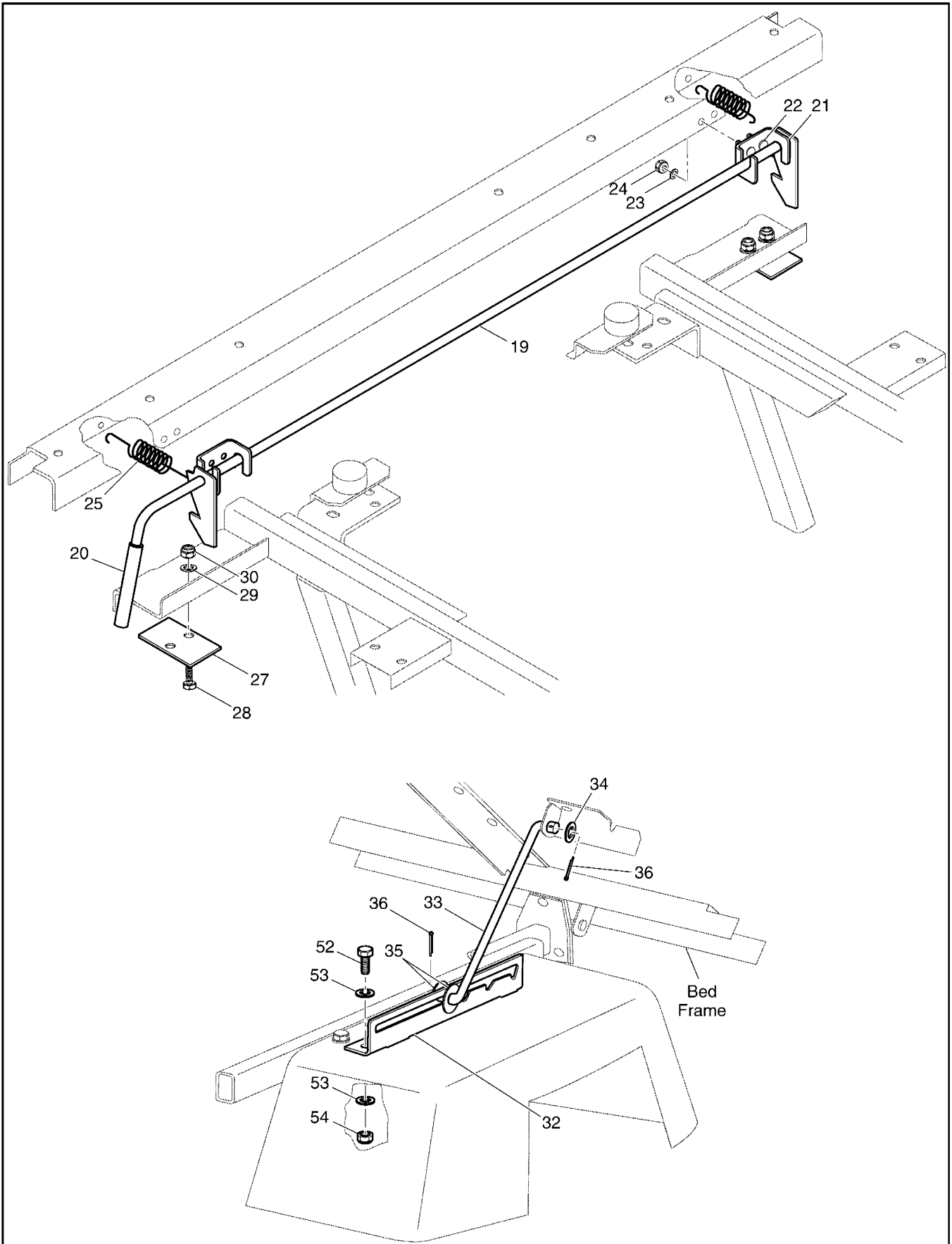
\* Indicates a component that is not available as an individual part.

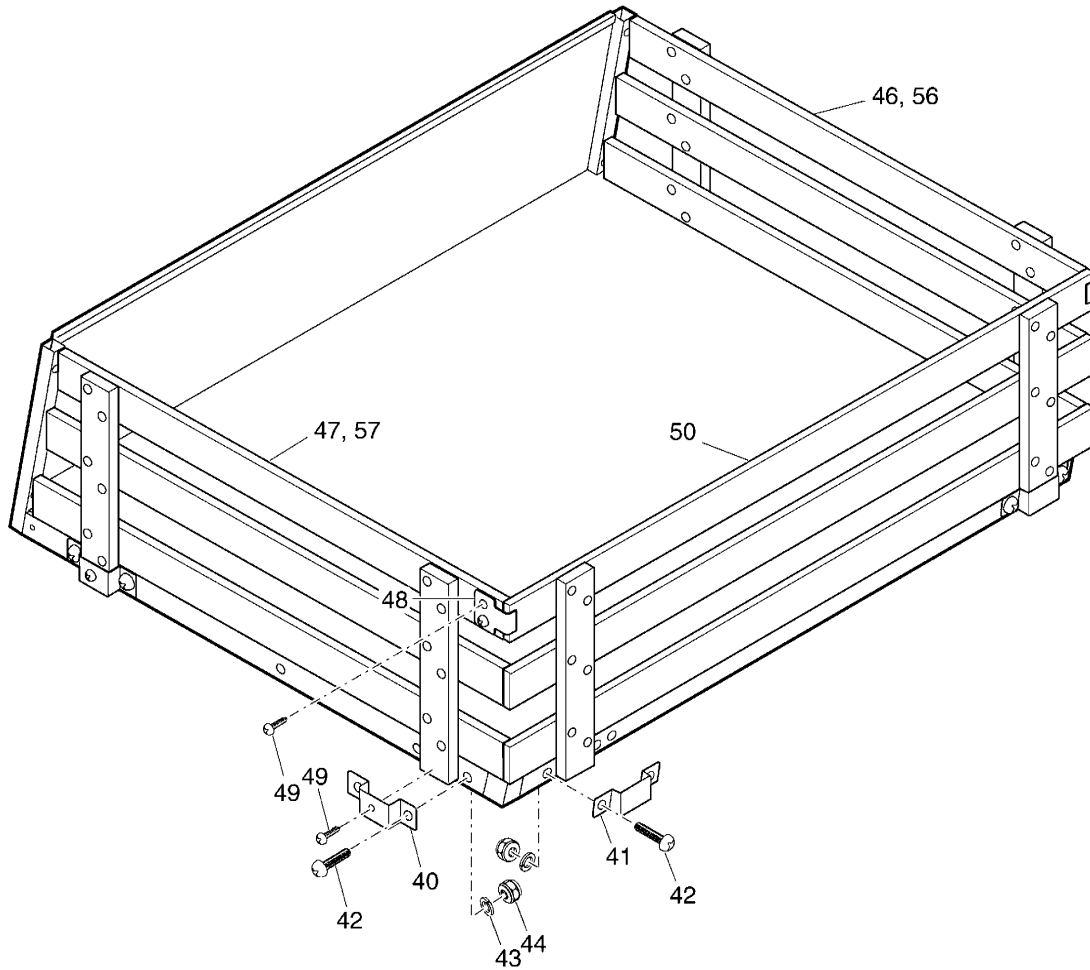
G\*\* Indicates consult Customer Service Department for additional information.

ITEM	PART NO.	1 2 3 4 5	DESCRIPTION	QTY.
91	00562-G1		WASHER, 3/8" .....	4
92	20275-G1		PIVOT SPACER .....	2
93	11098-G5		LOCK NUT, 3/8 - 16 .....	2
94	00439-G6		BOLT, 5/16 - 18 X 1 3/4" LG .....	4
95	00569-G2		WASHER, 5/16" .....	4
96	00559-G8		WASHER, 5/16" .....	4
97	11098-G6		LOCK NUT, 5/16 - 18 .....	4
98				
99	71711-G02		TRUCK BED ASSEMBLY (48") (ELECTRIC DUMP) (INCLUDES ITEMS 9, 11- 37, 100 - 106) .....	1
100	71719-G02		BED FRAME (48") .....	1
101	71742-G01		SIDE PANEL (48", PASSENGER SIDE).....	1
102	71742-G02		SIDE PANEL (48", DRIVER SIDE) .....	1
103	16705-G3		SCREW, 1/4 - 20 X 3/4" LG .....	12
104	00915-G1		BONDED WASHER, 1/4" .....	12
105	00559-G7		WASHER, 1/4" .....	12
106	14390-G4		LOCK NUT, 1/4 - 20.....	12
107				
108	74033-G02		BED LINER, 48" .....	1
109	74036-G01		TAILGATE LINER, 48" .....	1
110				
111	71789-G01		DECAL, STRIPE .....	1
112	71790-G01		DECAL (4 CYCLE 11 H.P. OHC / 1110 HAULER) .....	1
113	71791-G01		DECAL (JACOBSEN) .....	1









When ordering parts, please specify the model and serial number of the product.

\* Indicates a component that is not available as an individual part.

G\*\* Indicates consult Customer Service Department for additional information.

ITEM	PART NO.	1 2 3 4 5	DESCRIPTION	QTY.
1	71719-G01		BED FRAME, 40" .....	1
2	71719-G02		BED FRAME, 48" .....	1
3	71772-G01		CORNER TUBE .....	2
4	00762-G9		SCREW, 5/16 - 18 X 2 1/2" LG .....	4
5	00559-G8		WASHER, 5/16" .....	4
6	00550-G3		NUT, 5/16 - 18 .....	4
7				
8	71718-G01		END CAP, 1 1/2" .....	2
9	71717-G01		END CAP, 1" .....	2
10				
11	70396-G01		BED PIVOT .....	2
12	00764-G2		CARRIAGE BOLT, 5/16 - 18 X 1" LG .....	6
13	00559-G8		WASHER, 5/16" .....	6
14	11098-G6		LOCK NUT, 5/16 - 18 .....	6
15	70291-G01		FLANGED BUSHING .....	4
16	21682-G1		CLEVIS PIN, 1/2" X 3" LG.....	2
17	21683-G1		COTTER PIN, 15/32" X 2 11/16" LG .....	2
18				
19	71831-G01		BED LATCH .....	1
20	71704-G01		HANDLE GRIP .....	1
21	71827-G01		LATCH BRACKET .....	2
22	01014-G03		CARRIAGE BOLT, 1/4 - 20 X 3/4" LG .....	4
23	00559-G7		WASHER, 1/4" .....	4
24	14390-G4		LOCK NUT, 1/4 - 20 .....	4
25	71707-G02		EXTENSION SPRING.....	2
26				
27	71766-G01		CATCH BRACKET .....	2
28	00414-G6		BOLT, 1/4 - 20 X 3/4" LG.....	4
29	00559-G7		WASHER, 1/4" .....	4
30	14390-G4		LOCK NUT, 1/4 - 20 .....	4

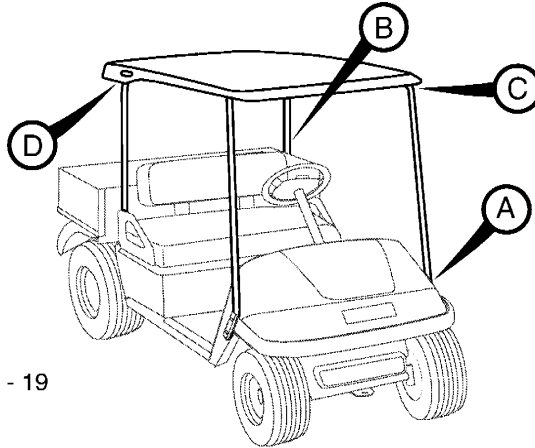


When ordering parts, please specify the model and serial number of the product.  
 \* Indicates a component that is not available as an individual part.  
 G\*\* Indicates consult Customer Service Department for additional information.

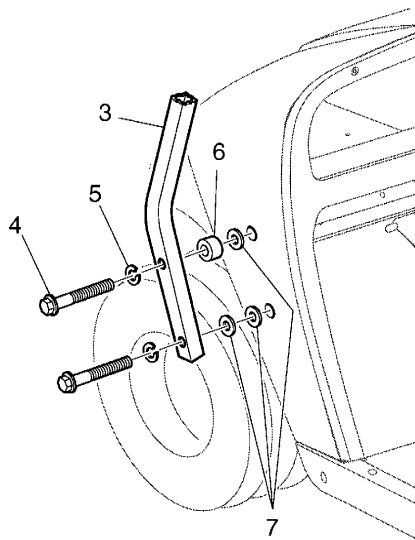
ITEM	PART NO.	1	2	3	4	5	DESCRIPTION	QTY.
31								
32	71673-G01						PROP BRACKET .....	1
33	71657-G01						PROP ROD .....	1
34	00560-G3						WASHER, 1/2" .....	1
35	15121-G1						WASHER, 1 1/4" X 3/8".....	2
36	10387-G3						COTTER PIN, 3/32 X 3/4" LG .....	2
37								
38	71777-G01						LABEL (WARNING) .....	1
39	71200-G01						LABEL (LOAD WARNING).....	1
40	74157-G01						SIDE RAIL SUPPORT .....	4
41	74161-G01						BACK RAIL SUPPORT .....	2
42	16705-G1						SCREW, 1/4 - 20 X 1" LG .....	12
43	00559-G7						WASHER, 1/4" .....	12
44	14390-G4						NUT, 1/4 - 20 .....	12
45								
46	74167-G01						SIDE CARGO RACK, 40" (PASSENGER SIDE) .....	1
47	74167-G02						SIDE CARGO RACK, 40" (DRIVER SIDE) .....	1
48	74079-G01						TAILGATE RETAINER BRACKET .....	2
49	00666-G6						SCREW, #10 - 12 X 3/4" LG .....	8
50	74162-G03						REAR CARGO RACK .....	1
51								
52	XXXXX-XX						BOLT, 1/4 - 20 X 7/8" LG (SEE BODY SECTION)	
53	XXXXX-XX						WASHER, 1/4" (SEE BODY SECTION)	
54	XXXXX-XX						LOCK NUT, 1/4 - 20 (SEE BODY SECTION)	
55								
56	74168-G01						SIDE CARGO RACK, 48" (PASSENGER SIDE) .....	1
57	74168-G02						SIDE CARGO RACK, 48" (DRIVER SIDE) .....	1
58								



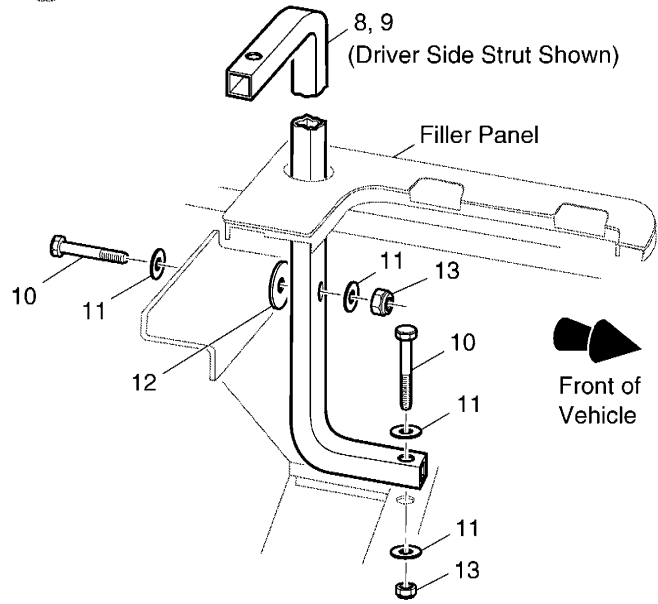
**SUN TOP**



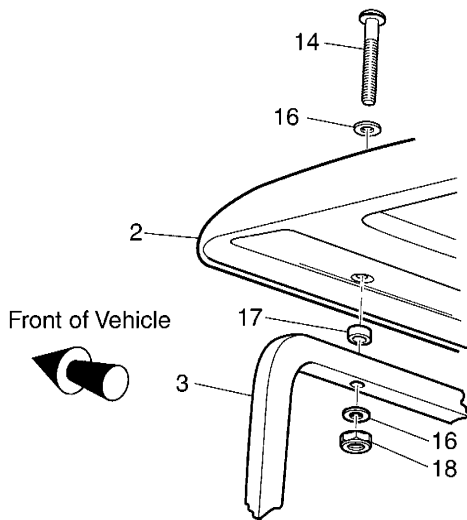
1 - Includes Items 2 - 19



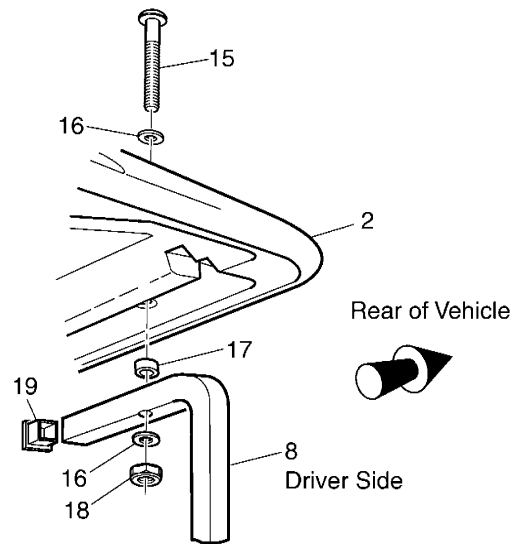
**DETAIL A**



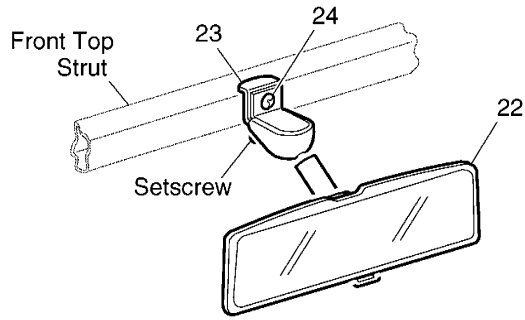
**DETAIL B**



**DETAIL C  
(FRONT)**



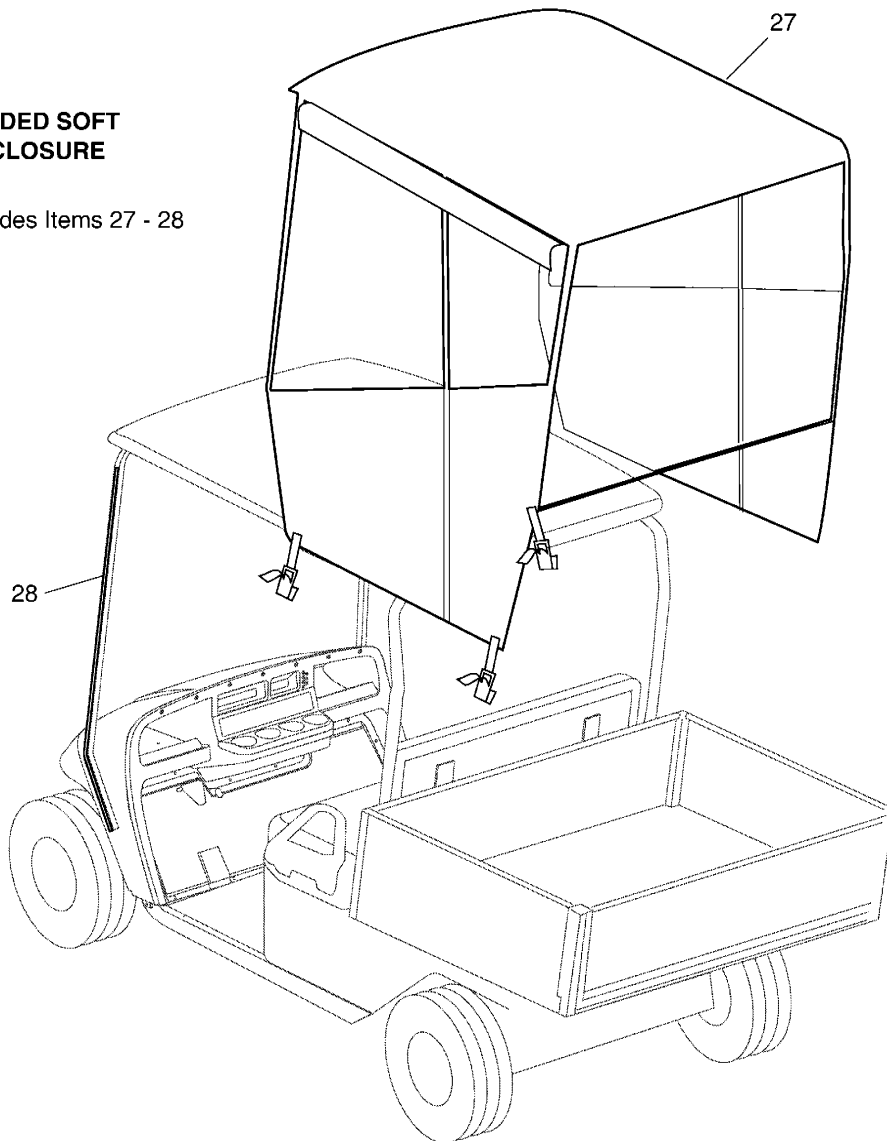
**DETAIL D  
(REAR)**

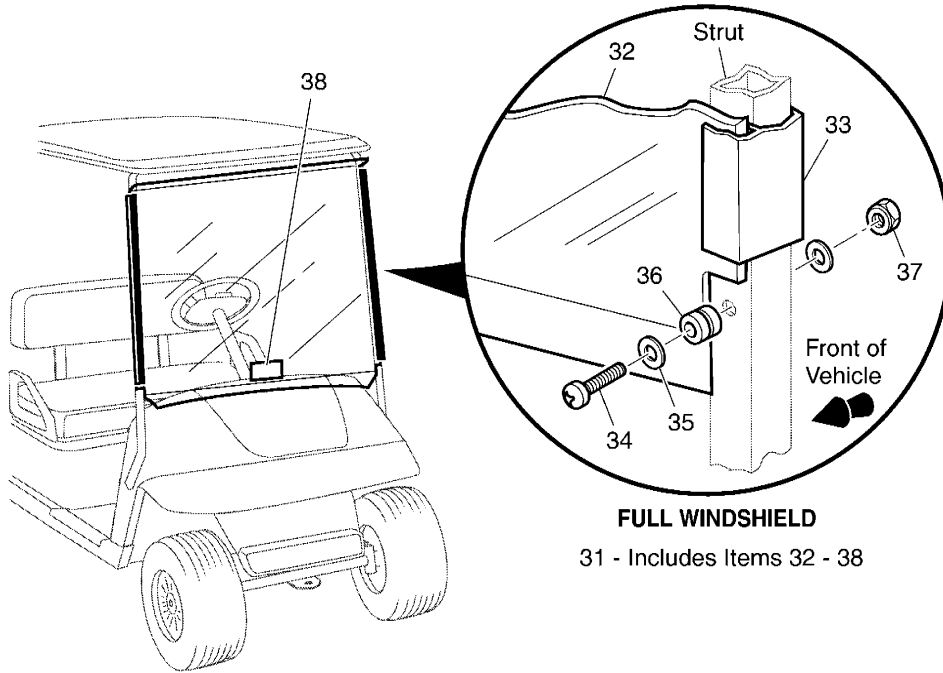


**REAR VIEW MIRROR**  
21 - Includes Items 22 - 24

**3-SIDED SOFT ENCLOSURE**

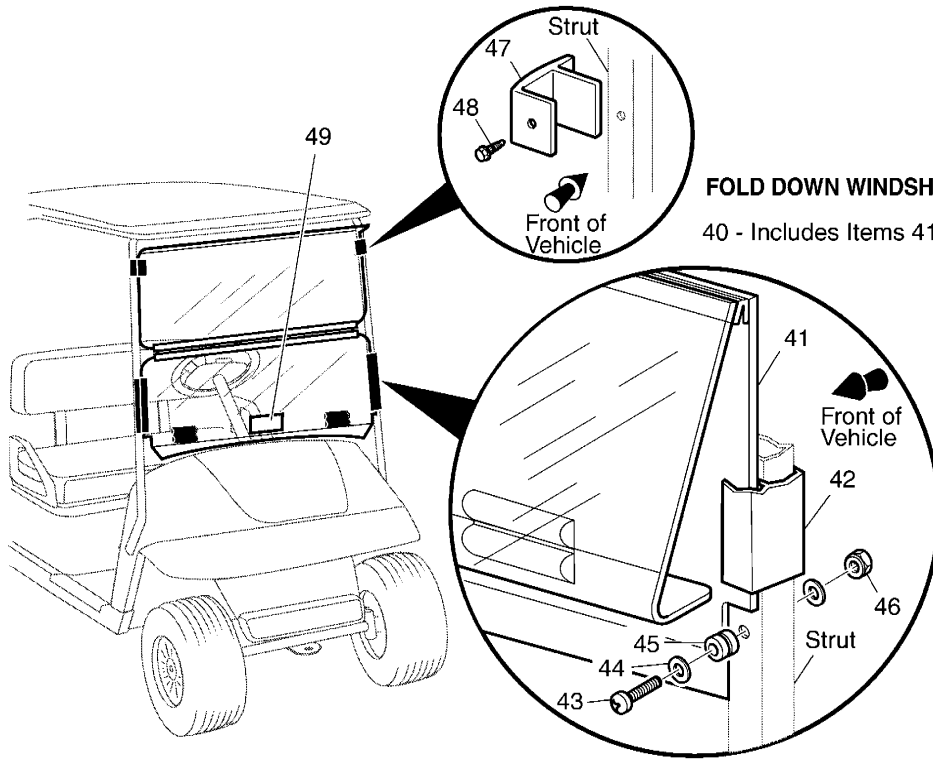
26 - Includes Items 27 - 28





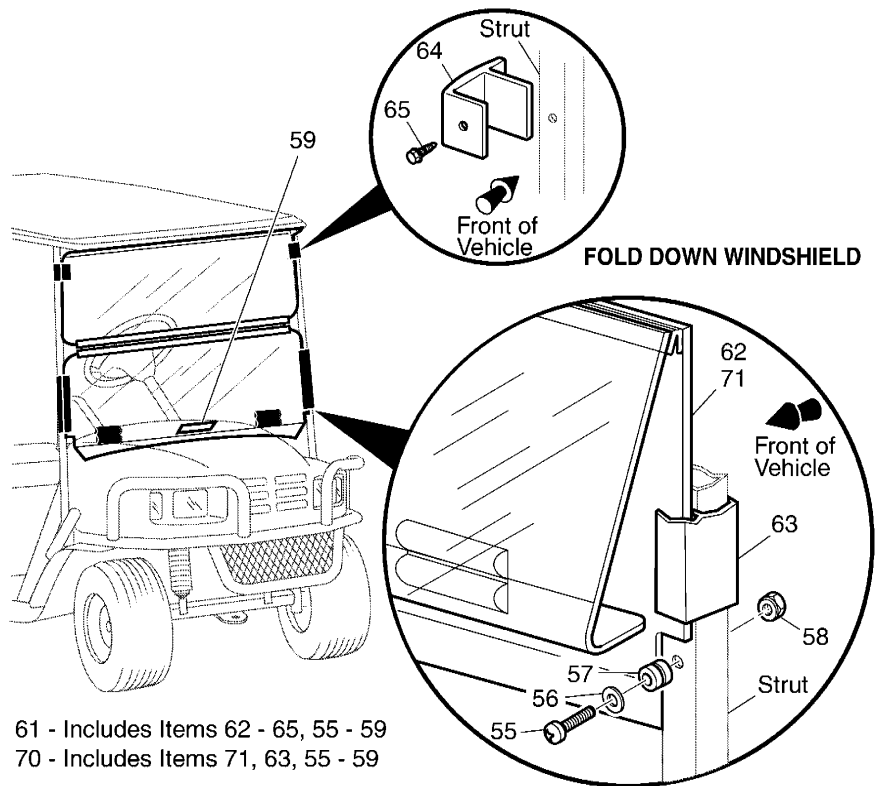
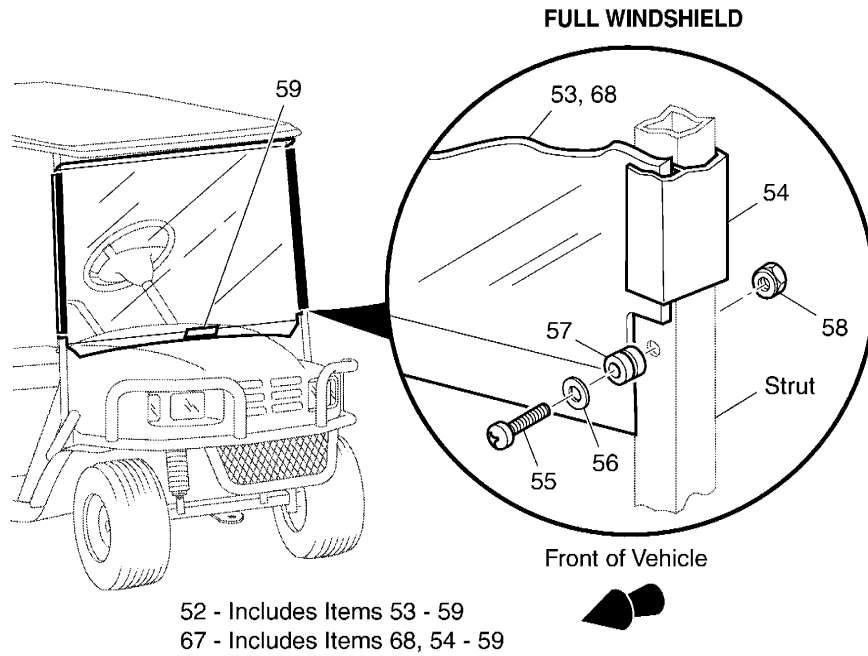
**FULL WINDSHIELD**

31 - Includes Items 32 - 38



**FOLD DOWN WINDSHIELD**

40 - Includes Items 41 - 49



# WEATHER PROTECTION

# Gasoline Vehicle

When ordering parts, please specify the model and serial number of the product.

\* Indicates a component that is not available as an individual part.

G\*\* Indicates consult Customer Service Department for additional information.

ITEM	PART NO.	1 2 3 4 5	DESCRIPTION	QTY.
1	75350-G02		SUN TOP KIT (INCLUDES ITEMS 2 - 19) .....	1
2	27069-G07		SUN TOP .....	1
3	75045-G01		FRONT STRUT .....	1
4	01035-G01		BOLT, 5/16 - 18 X 2 1/4" LG .....	4
5	00905-G8		LOCK WASHER, 5/16" .....	4
6	75048-G01		SPACER, 1/2" .....	2
7	00570-G2		WASHER, 5/16" .....	6
8	75343-G01		REAR STRUT (PASSENGER SIDE) .....	1
9	75343-G02		REAR STRUT (DRIVER SIDE) .....	1
10	00439-G6		BOLT, 5/16 - 18 X 1 3/4" LG .....	4
11	00571-G2		WASHER, 5/16" .....	8
12	15121-G1		WASHER, 3/8" .....	2
13	11098-G6		LOCK NUT, 5/16 - 18 .....	4
14	00753-G5		SCREW, 1/4 - 20 X 2" LG (STAINLESS STEEL) .....	2
15	00753-G6		SCREW, 1/4 - 20 X 2 1/4" LG (STAINLESS STEEL) .....	2
16	00559-G7		WASHER, 1/4" .....	8
17	75051-G01		PLASTIC SPACER .....	4
18	00891-G2		LOCK NUT, 1/4 - 20 .....	4
19	19853-G1		END CAP, 1" .....	2
20				
21	19528-G2		REAR VIEW MIRROR KIT (INCLUDES ITEMS 22 - 24) .....	1
22	19496-G1		REAR VIEW MIRROR .....	1
23	19502-G2		SUPPORT BRACKET .....	1
24	19527-G1		SCREW, #8 - 32 X 5/8" LG (STAINLESS STEEL) .....	1
25				
26	75367-G0*		3-SIDED SOFT ENCLOSURE KIT (INCLUDES ITEMS 27 - 28) .....	1
27	*		ENCLOSURE .....	1
28	*		VELCRO .....	AR
29				
30				

Replacement parts for the windshield may be obtained from Eagle Parts, Inc. 1411 Marvin Griffin Rd. Augusta, GA 30906. Telephone (706) 790-6687 or FAX (706) 790-6066

\* Indicates a component that is not available as an individual part.

G\*\* Indicates consult Customer Service Department for additional information.

ITEM	PART NO.	1 2 3 4 5	DESCRIPTION	QTY.
31	75524-G01		WINDSHIELD KIT (FULL) (1200 / 2200) (INCLUDES ITEMS 32 - 38).....	1
32	*		WINDSHIELD (FULL).....	1
33	EGWHC12		SASH, 26" LG.....	2
34	EGWHS12		SCREW, 1/4 - 20 X 1 3/4" LG (STAINLESS STEEL) .....	2
35	EGWHW12		WASHER, 1/4" (STAINLESS STEEL) .....	4
36	EGWHG13		RUBBER GROMMET.....	2
37	EGWHN12		LOCK NUT, 1/4 - 20 (STAINLESS STEEL) .....	2
38	EGWHL-14		LABEL (SAFETY).....	1
39				
40	75525-G01		WINDSHIELD KIT (FOLD DOWN) (1200 / 2200) (INCLUDES ITEMS 41 - 49)..	1
41	*		WINDSHIELD (FOLD DOWN).....	1
42	EGWHC10		SASH, 12" LG.....	2
43	EGWHS12		SCREW, 1/4 - 20 X 1 3/4" LG (STAINLESS STEEL) .....	2
44	EGWHW12		WASHER, 1/4" (STAINLESS STEEL) .....	4
45	EGWHG13		RUBBER GROMMET.....	2
46	EGWHN12		LOCK NUT, 1/4 - 20 (STAINLESS STEEL) .....	2
47	137-010		TOP GRIP, 3/4" X 2" .....	2
48	136-008		GRIP FASTENER.....	2
49	EGWHL-14		LABEL (SAFETY).....	1
50				
51				
52	71966-G01		WINDSHIELD KIT (FULL) (LX / SE) (INCLUDES ITEMS 53 - 59) (REQUIRES SUN TOP KIT) .....	1
53	*		WINDSHIELD (FULL) (LEXAN).....	1
54	EGWHC12		SASH, 26" LG.....	2
55	EGWHS12		SCREW, 1/4 - 20 X 1 3/4" LG (STAINLESS STEEL) .....	2
56	EGWHW12		WASHER, 1/4" (STAINLESS STEEL) .....	4
57	EGWHG13		RUBBER GROMMET.....	2
58	EGWHN12		LOCK NUT, 1/4 - 20 (STAINLESS STEEL) .....	2
59	EGWHL14		SAFETY LABEL .....	1



# WEATHER PROTECTION

# Gasoline Vehicle

Replacement parts for the windshield may be obtained from Eagle Parts, Inc. 1411 Marvin Griffin Rd. Augusta, GA 30906. Telephone (706) 790-6687 or FAX (706) 790-6066

\* Indicates a component that is not available as an individual part.

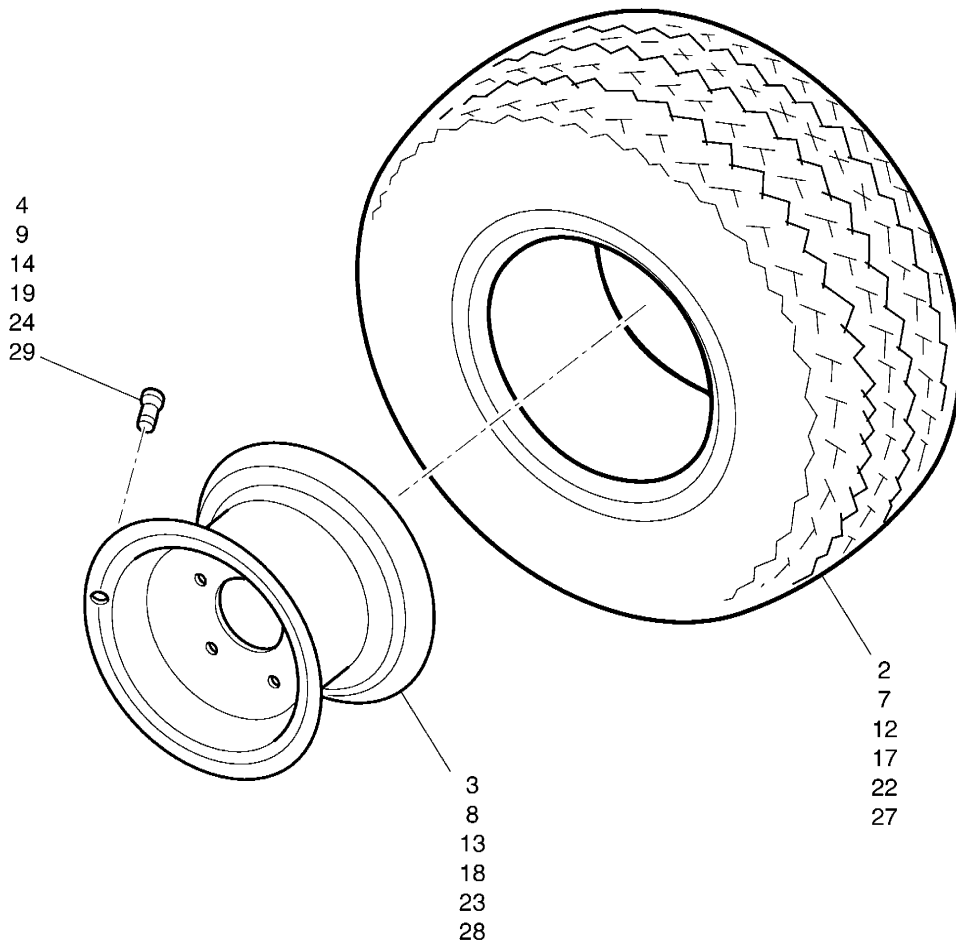
G\*\* Indicates consult Customer Service Department for additional information.

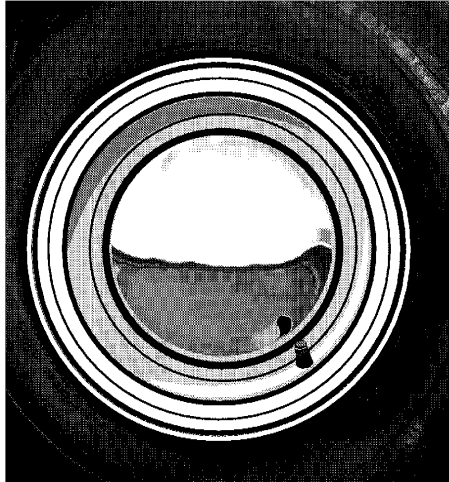
ITEM	PART NO.	1	2	3	4	5	DESCRIPTION	QTY.
60								
61	71966-G02						WINDSHIELD KIT (FOLD DOWN) (LX / SE) (INCLUDES ITEMS 62 - 65, 55 - 59) (REQUIRES SUN TOP KIT) .....	1
62	*						WINDSHIELD (FOLD DOWN) (LEXAN) .....	1
63	EGWHC10						SASH, 12" LG.....	2
64	137-010						TOP GRIP, 3/4" X 2" .....	2
65	136-008						GRIP FASTENER.....	2
66								
67	71966-G03						WINDSHIELD KIT (FULL) (LX / SE) (INCLUDES ITEMS 68, 54 - 59) (REQUIRES SUN TOP KIT) .....	1
68	*						WINDSHIELD (FULL) (ACRYLIC).....	1
69								
70	71966-G04						WINDSHIELD KIT (FOLD DOWN) (LX / SE) (INCLUDES ITEMS 71, 63, 55 - 59) (REQUIRES SUN TOP KIT) .....	1
71	*						WINDSHIELD (FOLD DOWN) (ACRYLIC).....	1



- 1 - Includes Items 2 - 4
- 6 - Includes Items 7 - 9
- 11 - Includes Items 12 - 14
- 16 - Includes Items 17 - 19
- 21 - Includes Items 22 - 24
- 26 - Includes Items 27 - 29

Tire design may vary by Part Number

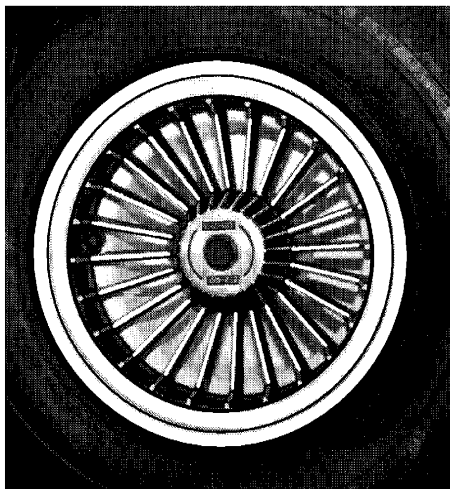




6" CHROME HUBCAP  
33



8" CHROME HUBCAP  
32



GOLD / SILVER SPOKE HUBCAP  
34, 35

# WHEELS AND TIRES

# Gasoline Vehicle

When ordering parts, please specify the model and serial number of the product.

\* Indicates a component that is not available as an individual part.

G\*\* Indicates consult Customer Service Department for additional information.

ITEM	PART NO.	1 2 3 4 5	DESCRIPTION	QTY.
1	27772-G03		WHEEL AND TIRE ASSEMBLY, TURF SAVER (INCLUDES ITEMS 2 - 4) .....	A/R
2	27772-G07		CARLISLE TIRE (TURF SAVER 18 X 8.5 - 8, 4 PLY RATED) .....	1
3	15169-G1		WHEEL RIM, 4 LUG .....	1
4	11657-G1		VALVE STEM .....	1
5				
6	27772-G09		WHEEL AND TIRE ASSEMBLY, LINKS 1 (INCLUDES ITEMS 7 - 9) .....	A/R
7	27772-G10		CARLISLE TIRE (LINKS 1 18 X 8.5 - 8, 4 PLY RATED ) .....	1
8	15169-G1		WHEEL RIM, 4 LUG .....	1
9	11657-G1		VALVE STEM .....	1
10				
11	27772-G01		WHEEL AND TIRE ASSEMBLY, LINKS (INCLUDES ITEMS 12 - 14) .....	A/R
12	27772-G05		CARLISLE TIRE (LINKS 18 X 8.5 - 8, 4 PLY RATED) .....	1
13	15169-G1		WHEEL RIM, 4 LUG .....	1
14	11657-G1		VALVE STEM .....	1
15				
16	27775-G01		WHEEL AND TIRE ASSEMBLY, USA TRAIL (INCLUDES ITEMS 17 - 19) .....	A/R
17	27775-G02		CARLISLE TIRE (USA TRAIL 18.0 X 8.50 - 8, LOAD RANGE C) .....	1
18	15169-G1		WHEEL RIM, 4 LUG .....	1
19	11657-G1		VALVE STEM .....	1
20				
21	27784-G01		WHEEL AND TIRE ASSEMBLY, USA TRAIL (INCL ITEMS 22 - 24) .....	A/R
22	27784-G03		CARLISLE TIRE (USA TRAIL 5.70 - 8, LOAD RANGE C) .....	1
23	20732-G1		WHEEL RIM, 4 LUG .....	1
24	11657-G1		VALVE STEM .....	1
25				
26	28374-G01		WHEEL AND TIRE ASSEMBLY, TURF SAVER (INCL ITEMS 27 - 29) .....	A/R
27	21526-G2		CARLISLE TIRE (TURF SAVER 9.50 X 8, 6 PLY RATED) .....	1
28	20732-G1		WHEEL RIM, 4 LUG .....	1
29	11657-G1		VALVE STEM .....	1
30				

When ordering parts, please specify the model and serial number of the product.  
 \* Indicates a component that is not available as an individual part.  
 G\*\* Indicates consult Customer Service Department for additional information.

ITEM	PART NO.	1 2 3 4 5 DESCRIPTION	QTY.
31			
32	14913-G*	8" CHROME HUBCAP (OPTIONAL) .....	A/R
33	16042-G*	6" CHROME HUBCAP (OPTIONAL) .....	A/R
34	19241-G*	GOLD SPOKE HUBCAP (OPTIONAL) .....	A/R
35	19241-G*	SILVER SPOKE HUBCAP (OPTIONAL).....	A/R



## **SPECIALTY PRODUCTS**

# **SPECIALTY PRODUCTS**



## SPECIALTY PRODUCTS

### SPECIAL TOOLS

### PART NO.

HIGH RESISTANCE SPARK PLUG WIRE SET .....	26733-G02
CLUTCH PULLER (2 PRONG).....	19779-G1
CLUTCH PULLER (3 PRONG - 4 CYCLE).....	19779-G2
FLYWHEEL PULLER.....	27111-G01
CAM PULLEY TOOL .....	27851-G01
CURRENT INDICATOR.....	16489-G2
DIGITAL MULTI-METER.....	27481-G01
CRIMPING TOOL .....	27765-G01
SLIDE HAMMER (AXLE/HUB REMOVAL) .....	15947-G1
SLIDE HAMMER (AXLE REMOVAL ONLY) .....	18753-G1
VALVE SEAT CUTTER KIT.....	72516-G01
FLEX-HONE CYLINDER HONE - 240 GRIT .....	72517-G01
FLEX-HONE HONING OIL - 1 QUART (950 ML) .....	72518-G01
FLEX-HONE CLEANING BRUSH .....	72519-G01
PISTON RING INSTALLER .....	72521-G01
VALVE GRINDER - CUP TYPE .....	72522-G01
GRINDING COMPOUND - 280/320 GRIT.....	72523-G01
COMPRESSION TESTER.....	72524-G01
FEELER GAUGE .....	72525-G01
TACHOMETER .....	72526-G01

### ENGINE OIL

4 CYCLE ENGINE OIL, 5 GALLON (19 LITER) .....	25730-G03
4 CYCLE ENGINE OIL, 12 QUART CASE .....	25730-G04
4 CYCLE ENGINE OIL, 1 QUART BOTTLE (950 ML) .....	25730-G06

### PAINT

.6 OUNCE BRUSH ON PAINT - HUNTER GREEN.....	28432-G02
.6 OUNCE BRUSH ON PAINT - INDUSTRIAL YELLOW .....	28432-G03
.6 OUNCE BRUSH ON PAINT - WHITE.....	28432-G05
12 OUNCE AEROSOL - HUNTER GREEN.....	28140-G09
12 OUNCE AEROSOL - INDUSTRIAL YELLOW .....	28140-G14
12 OUNCE SPRAY - WHITE .....	28140-G03

## SPECIALTY PRODUCTS

<b>PERFORMANCE PRODUCTS</b>	<b>PART NO.</b>
FORMULA 40 VINYL-COAT® - WHITE .....	28166-G01
PLEXUS® CLEANER, 7 OUNCE (210 ML) (FOR WINDSHIELDS) .....	28433-G01
PLEXUS® CLEANER, 13 OUNCE (380 ML) (FOR WINDSHIELDS) .....	28433-G02
BATTERY PROTECTOR, 14 OUNCE (410 ML) SPRAY .....	75500-G01
CARBURETOR & CHOKE CLEANER, 15 OUNCE (440 ML) SPRAY .....	75501-G01
WHITE LITHIUM GREASE, 14 OUNCE (410 ML) SPRAY .....	75502-G01
PENETRANT/LUBRICANT, 15 OUNCE (440 ML) SPRAY .....	75503-G01
MULTI-PURPOSE CLEANER & DEGREASER, 14 OUNCE (410 ML) SPRAY .....	75504-G01
MULTI-PURPOSE HAND CLEANER, 32 OUNCE (950 ML) LIQUID .....	75505-G01
BATTERY CLEANER, 32 OUNCE (950 ML) WITH TRIGGER SPRAYER .....	75506-G01
BIO-DEGRADABLE CLEANER, 32 OUNCE (950 ML) WITH TRIGGER SPRAYER .....	75507-G01
MULTI-PURPOSE VALUE PACK .....	75508-G01
<ul style="list-style-type: none"><li>• BATTERY PROTECTOR, 4 OUNCE (120 ML) SPRAY</li><li>• PENETRANT/LUBRICANT, 4 OUNCE (120 ML) SPRAY</li><li>• WHITE LITHIUM GREASE, 4 OUNCE (120 ML) SPRAY</li><li>• CARBURETOR &amp; CHOKE CLEANER, 4 OUNCE (120 ML) SPRAY</li></ul>	

# **SPECIALTY PRODUCTS**

# **ACCESSORIES**

## **ACCESSORIES LISTING**

# ACCESSORIES

ACCESSORIES LISTING	KIT NO.	
ASHTRAY KIT .....	75109-G02 .....	See BODY
BALL HITCH KIT .....	74270-G0* .....	See BODY
CAB (BALL CAGE) .....	75853-G0* .....	See CAB
CAB DOOR SET .....	75856-G0* .....	See CAB
CAB DOOR SET (VINYL) .....	75855-G01 .....	See CAB
CAB .....	75854-G0* .....	See CAB
CAB SWITCH PANEL .....	74250-G01 .....	See CAB
CLEVIS HITCH KIT .....	74270-G0* .....	See BODY
CHROME HUB CAP 8" .....	14913-G* .....	See WHEELS AND TIRES
CHROME HUB CAP 6" .....	16042-G* .....	See WHEELS AND TIRES
DEFROSTER/COOLING FAN .....	74248-G01 .....	See CAB
ELECTRIC DUMP KIT .....	74164-G02 .....	See TRUCK BED
GLOVE BOX DOOR .....	75459-G0* .....	See BODY
HOUR METER KIT .....	75114-G02 .....	See ELECTRICAL SYSTEM
INSIDE MIRROR .....	27924-G01 .....	See WEATHER PROTECTION
RAMP KIT .....	28334-G01 .....	See TRUCK BED
REAR VIEW MIRROR KIT .....	19528-G2 .....	See WEATHER PROTECTION
SOFT ENCLOSURE .....	75367-G0* .....	See WEATHER PROTECTION
STROBE LIGHT .....	74245-G01 .....	See CAB
SUN TOP KIT .....	75350-G0* .....	See WEATHER PROTECTION
TURN SIGNAL KIT .....	75107-G02 .....	See ELECTRICAL SYSTEM
WHEEL COVERS (GOLD SPOKE) .....	19241-G* .....	See WHEELS AND TIRES
WHEEL COVERS (SILVER SPOKE) .....	19241-G* .....	See WHEELS AND TIRES
WINDSHIELD (FULL) (1200 / 2200) .....	75524-G01 .....	See WEATHER PROTECTION
WINDSHIELD (FOLD DOWN) (1200 / 2200) .....	75525-G01 .....	See WEATHER PROTECTION
WINDSHIELDS (1200 LX / 2200 SE) .....	71966-G0* .....	See WEATHER PROTECTION
WINDSHIELD WIPER .....	74244-G01 .....	See CAB
WORK LIGHTS .....	74247-G01 .....	See CAB
WORK LIGHT BAR WITH LIGHTS .....	75354-G01 .....	See ELECTRICAL SYSTEM
WORK LIGHT BAR WITH STROBE .....	75354-G02 .....	See ELECTRICAL SYSTEM
WORK LIGHT BAR WITH LIGHTS AND STROBE .....	75354-G03 .....	See ELECTRICAL SYSTEM



Textron Golf, Turf & Specialty Products.  
P.O. Box 388 Augusta, Georgia 30903-0388 USA  
Inside USA Phone: 1-800-241-5855, FAX: 1-800-448-8124  
Outside USA Phone: 010-1-706-798-4311, FAX: 010-1-706-771-4609

Copyrighted Material  
This manual may not be reproduced in whole or  
in part without the express permission of  
Textron Golf, Turf & Specialty Products  
Technical Communications Department